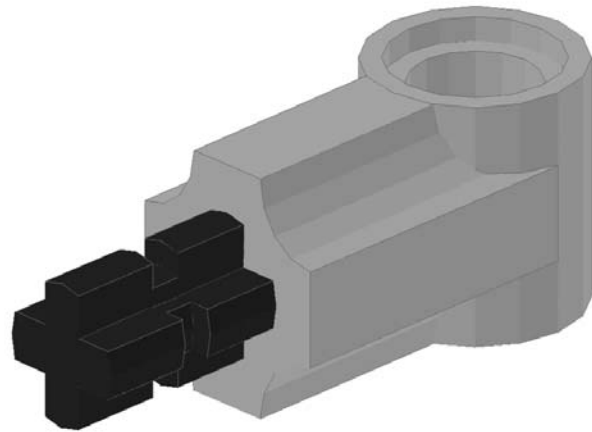
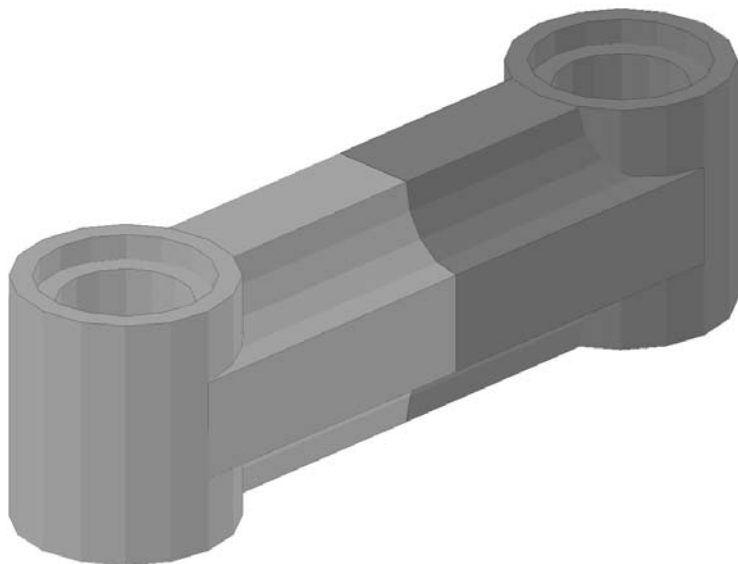


Qty	Color	Part no.	Part name
4	Red	2412B.DAT	Tile 1 x 2 Grille with Groove
1	Light-Gray	2412B.DAT	Tile 1 x 2 Grille with Groove
2	Light-Gray	2540.DAT	Plate 1 x 2 with Handle
1	Red	2540.DAT	Plate 1 x 2 with Handle
3	Light-Gray	2555.DAT	Tile 1 x 1 with Clip
1	Red	2555.DAT	Tile 1 x 1 with Clip
1	Light-Gray	2654.DAT	Dish 2 x 2
2	Black	30031.DAT	Minifig Handlebars
1	Red	3004.DAT	Brick 1 x 2
2	Red	3005.DAT	Brick 1 x 1
1	Trans-Black	30083.DAT	Windscreen 6 x 6 x 3 Dome and Hinge Locking with Two Dual Fingers
1	Red	3021.DAT	Plate 2 x 3
1	Light-Gray	3021.DAT	Plate 2 x 3
10	Red	3023.DAT	Plate 1 x 2
2	Light-Gray	3024.DAT	Plate 1 x 1
12	Red	3024.DAT	Plate 1 x 1
1	Trans-Black	30366.dat	Windscreen 3 x 6 x 5 Canopy
1	Light-Gray	30377.DAT	Minifig Mechanical Arm
4	Red	3040B.DAT	Slope Brick 45 2 x 1
4	Light-Gray	3062B.DAT	Brick 1 x 1 Round with Hollow Stud
5	Red	3069B.DAT	Tile 1 x 2 with Groove
2	Red	3070B.DAT	Tile 1 x 1 with Groove
3	Red	32000.DAT	Technic Brick 1 x 2 with Holes
8	Light-Gray	32013.DAT	Technic Angle Connector #1
4	Black	32062.DAT	Technic Axle 2 Notched
1	Red	32063.DAT	Technic Liftarm 1 x 6
4	Red	32523.DAT	Technic Liftarm 1 x 3 Straight
2	Red	3460.DAT	Plate 1 x 8
1	Light-Gray	3623.DAT	Plate 1 x 3
1	Red	3666.DAT	Plate 1 x 6
2	Black	3673.DAT	Technic Pin
2	Red	3676.DAT	Slope Brick 45 2 x 2 Inverted Double Convex
2	Red	3710.DAT	Plate 1 x 4
1	Red	3794.DAT	Plate 1 x 2 with 1 Stud
3	Light-Gray	3900.DAT	Minifig Signal Holder
2	Red	4073.DAT	Plate 1 x 1 Round
2	Black	4150.DAT	Tile 2 x 2 Round
2	Light-Gray	4265C.DAT	Technic Bush 1/2 Smooth
20	Light-Gray	4274.DAT	Technic Pin 1/2
1	Red	44568.dat	Hinge Plate 1 x 4 Locking with Two Fingers On Side
2	Red	44728.DAT	Bracket 1 x 2 - 2 x 2
4	Light-Gray	4589.DAT	Cone 1 x 1
2	Light-Gray	4865.DAT	Panel 1 x 2 x 1
2	Trans-Black	49668.dat	Plate 1 x 1 with Tooth
2	Red	50950.DAT	Slope Brick Curved 3 x 1
4	Red	54200.dat	Slope Brick 45 1 x 1 x 2/3
8	Red	6005.DAT	Arch 1 x 3 x 2 with Curved Top
1	Light-Gray	6019.DAT	Plate 1 x 1 with Clip Horizontal
6	Light-Gray	6141.DAT	Plate 1 x 1 Round
10	Red	6541.DAT	Technic Brick 1 x 1 with Hole
2	Black	6558.DAT	Technic Pin Long with Friction
2	Red	6636.DAT	Tile 1 x 6
3	Black	7.DAT	Tyre 14 x 10 Single Smooth
4	Light-Gray	x917.dat	Plane Jet Engine Large Centre

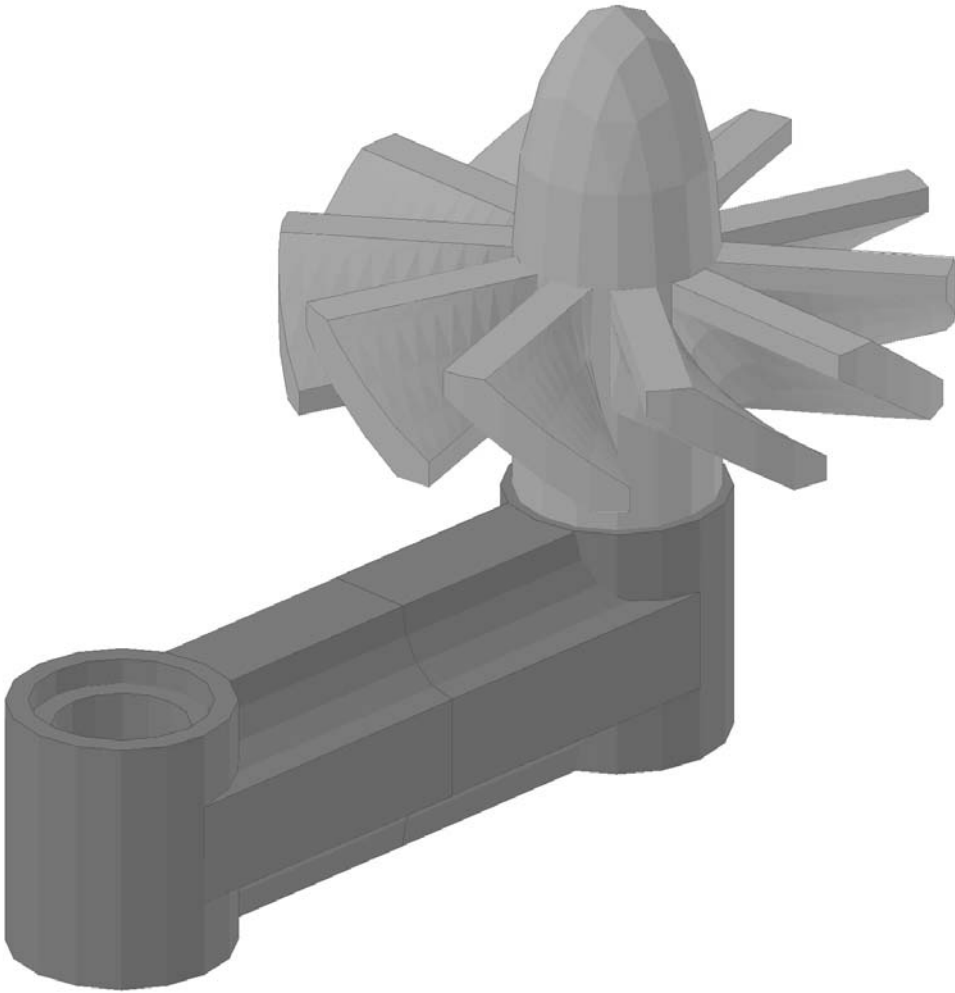
1



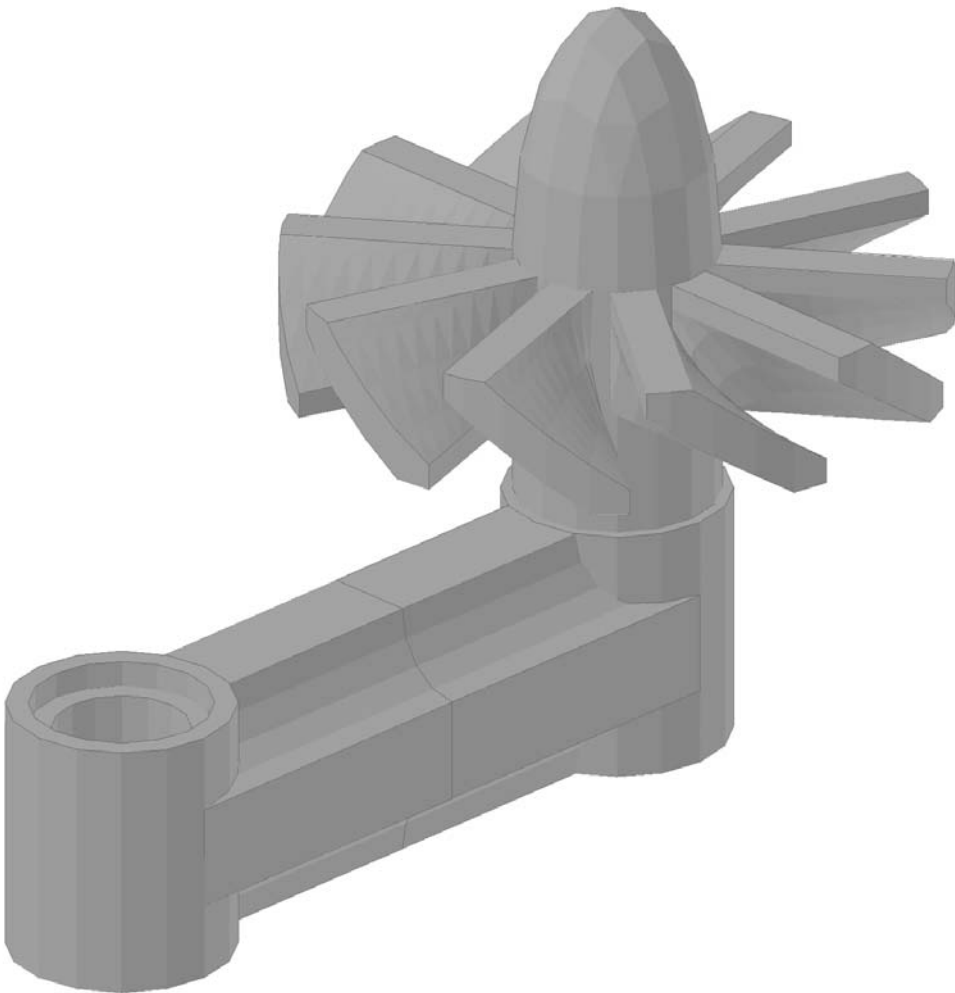
2



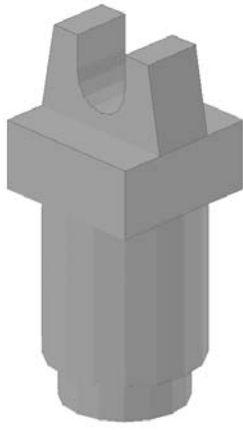
3



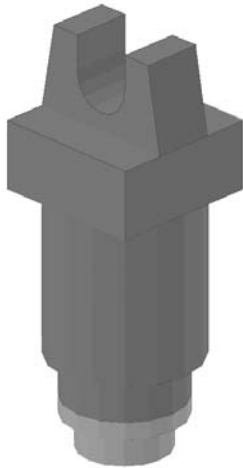
4



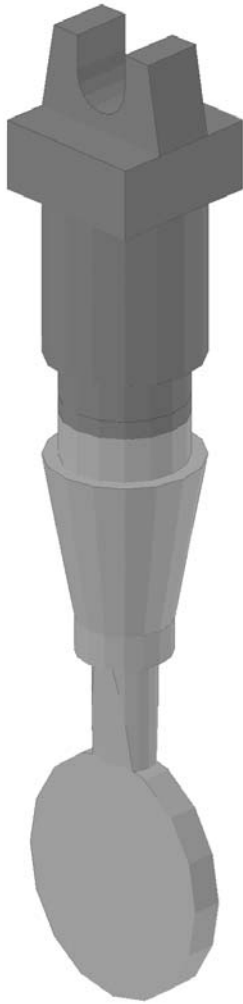
1



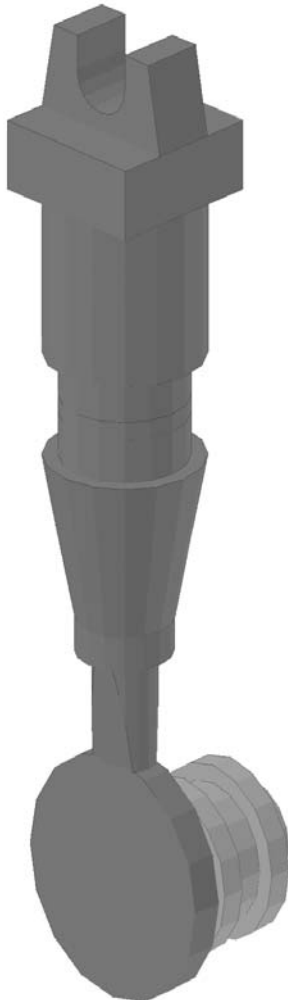
2



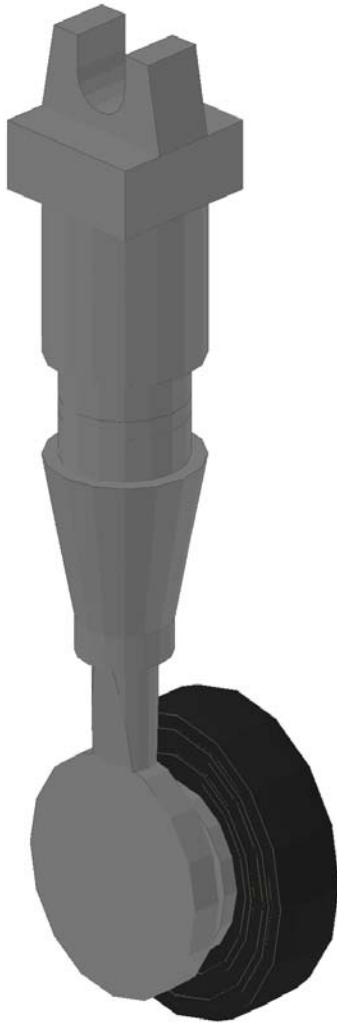
3



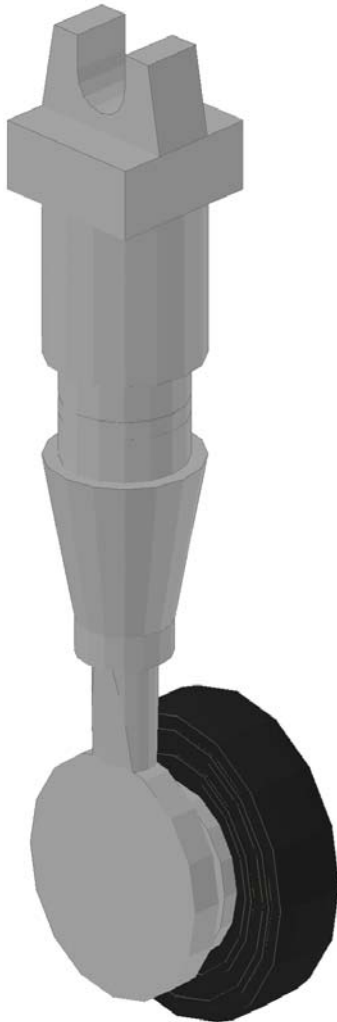
4



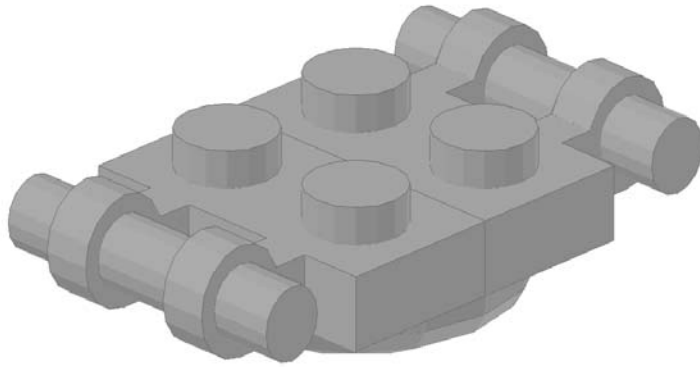
5



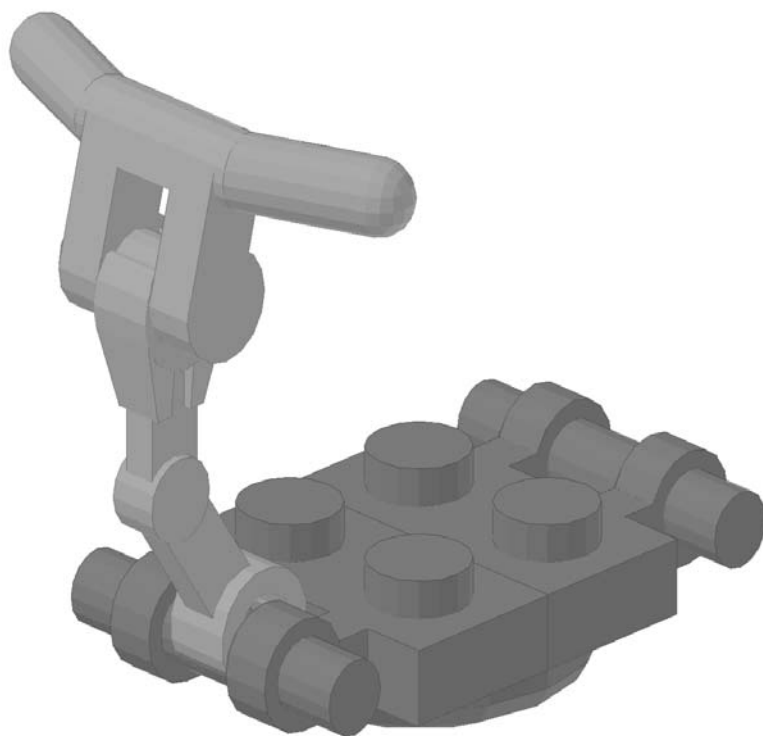
6



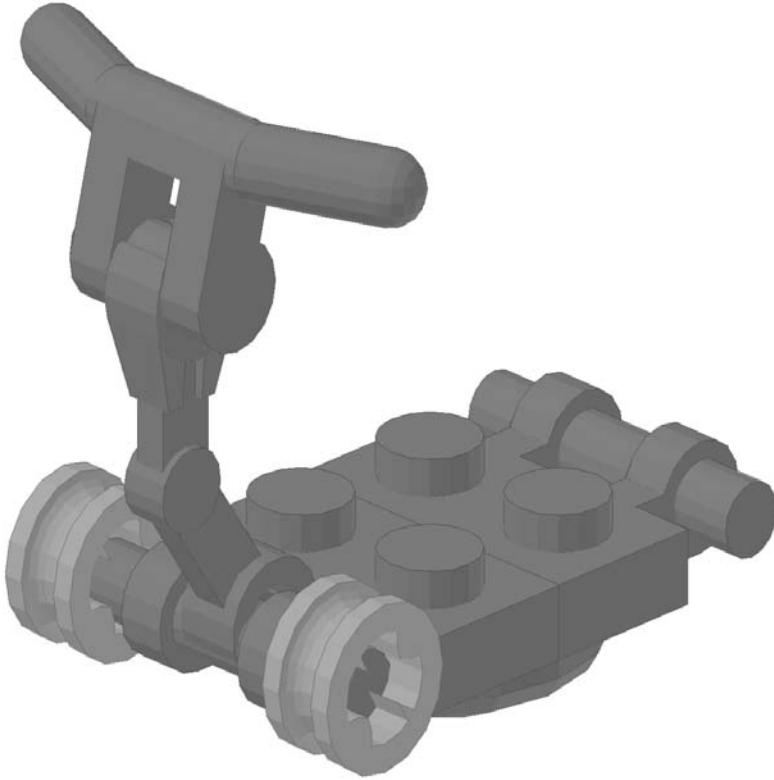
1



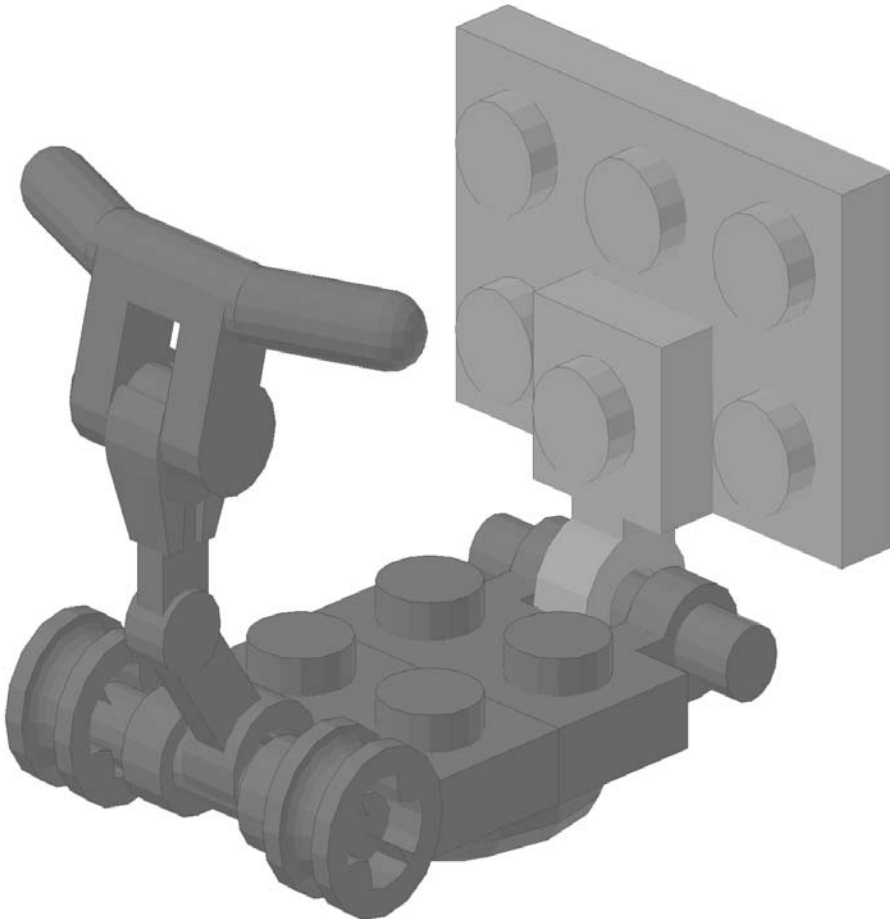
2



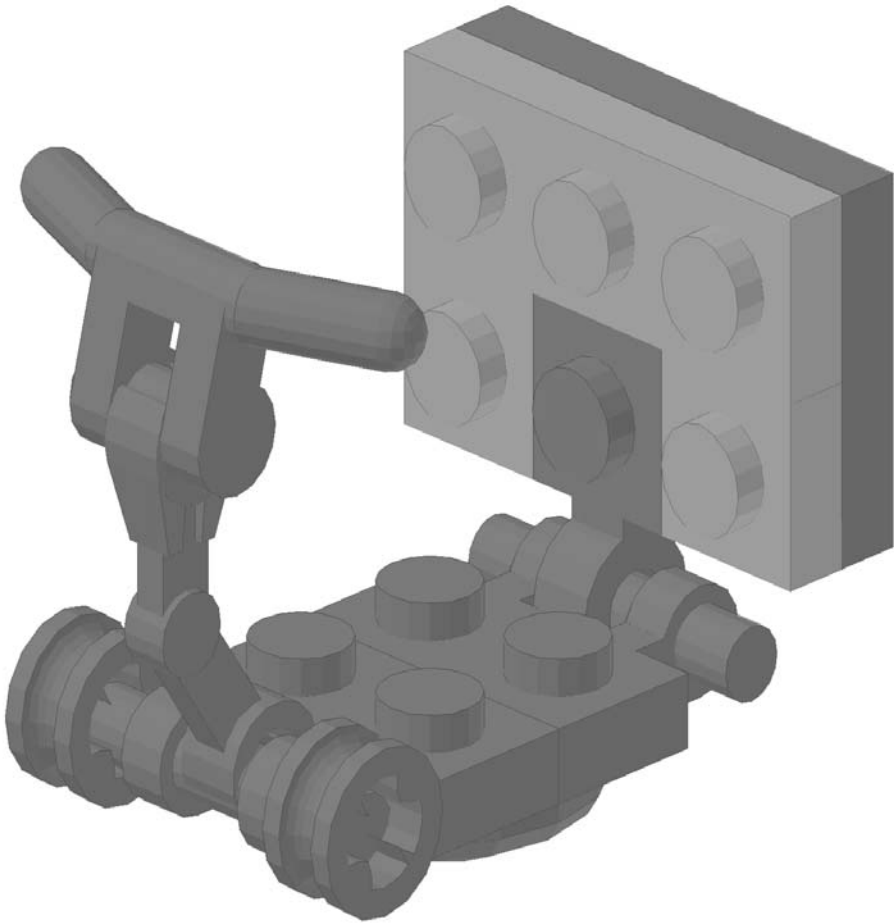
3



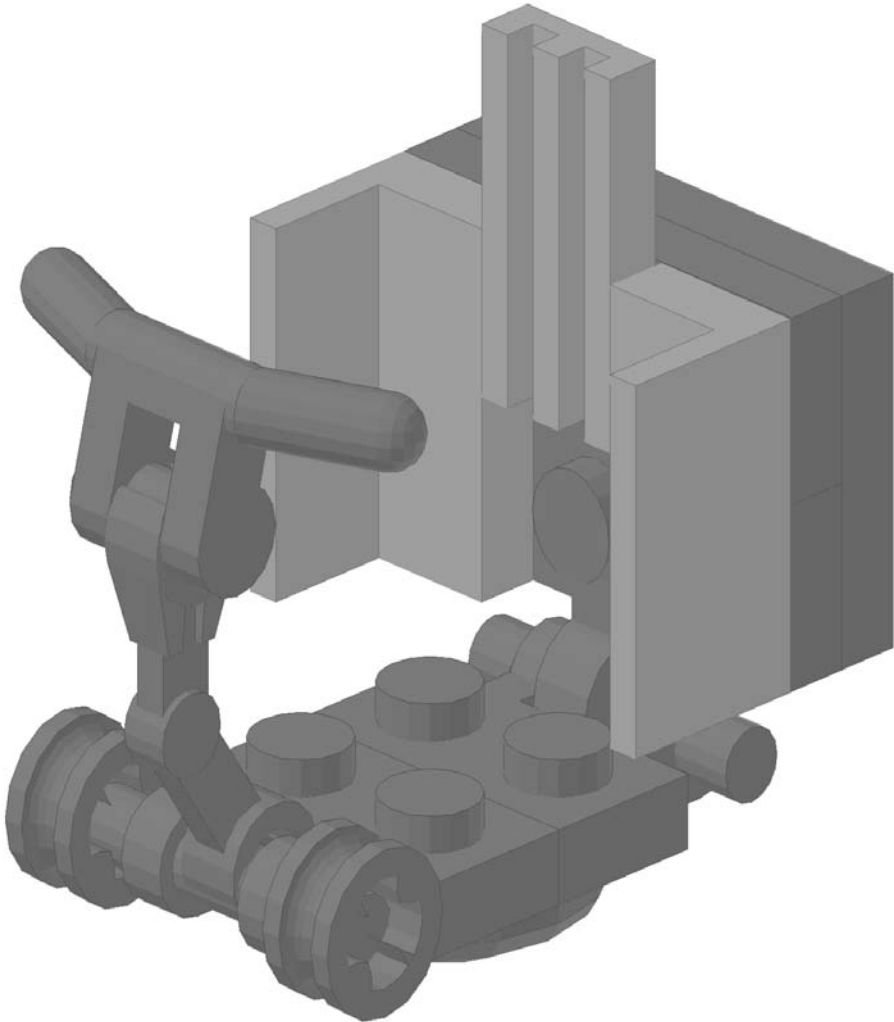
4



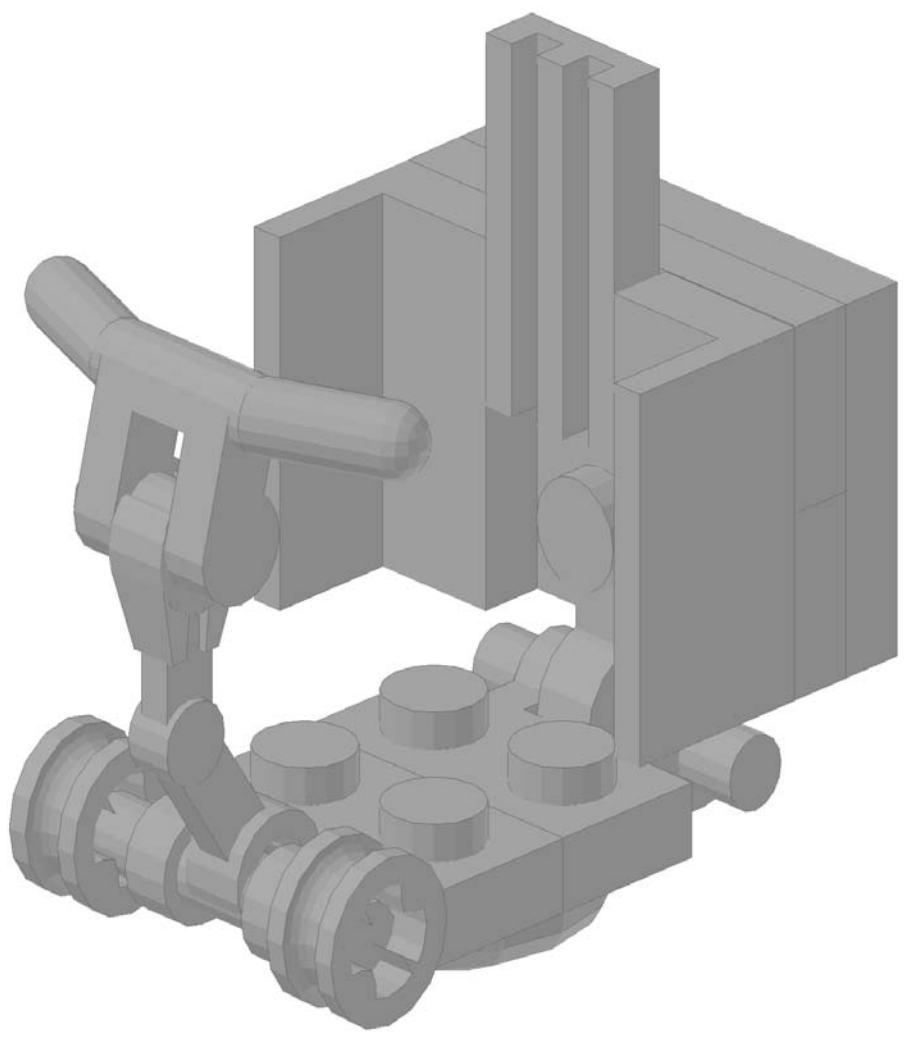
5



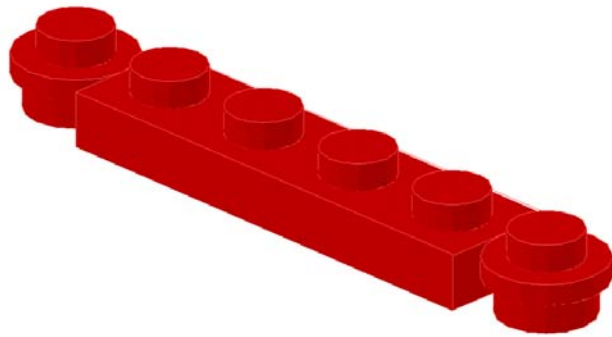
6



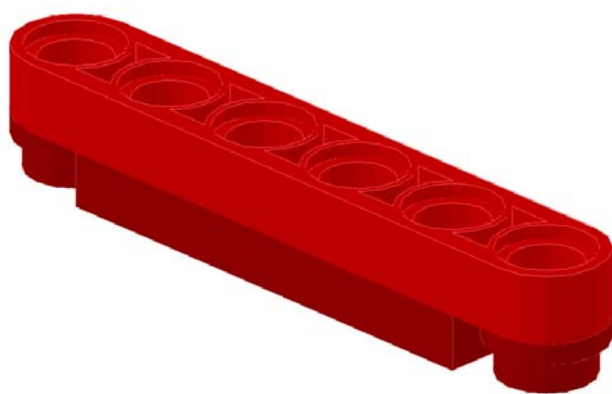
1



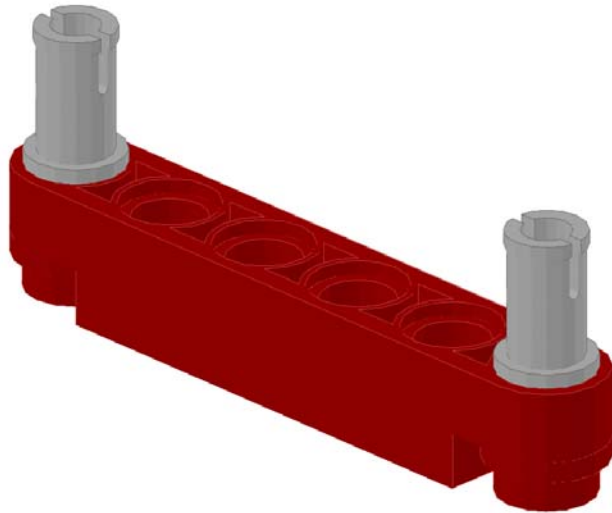
1



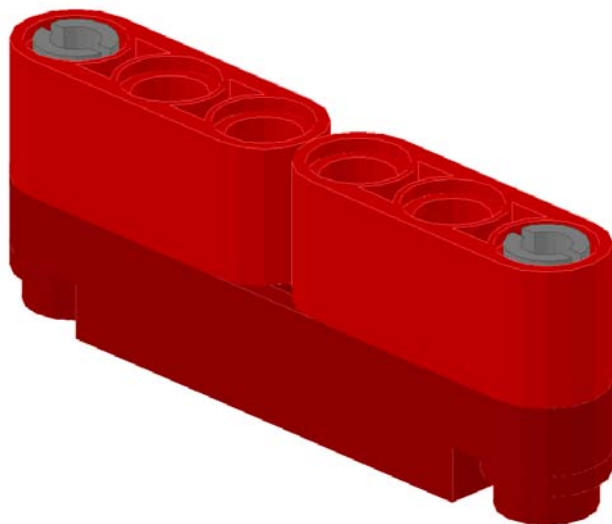
2



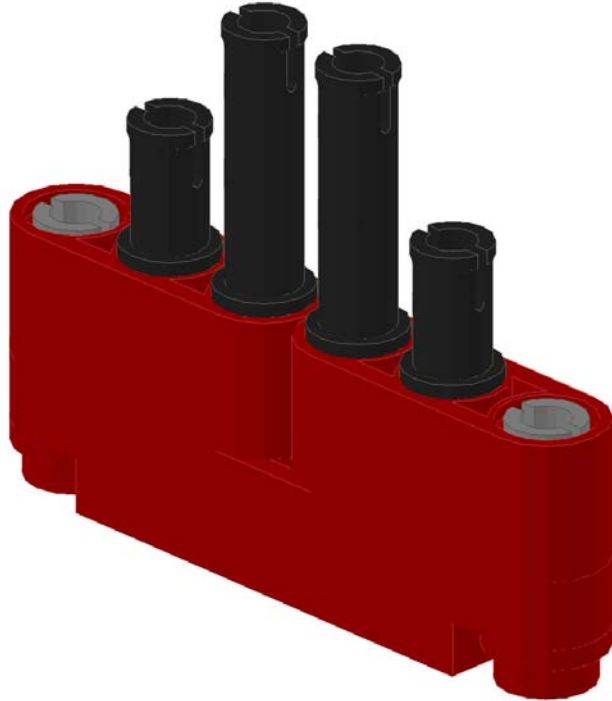
3



4



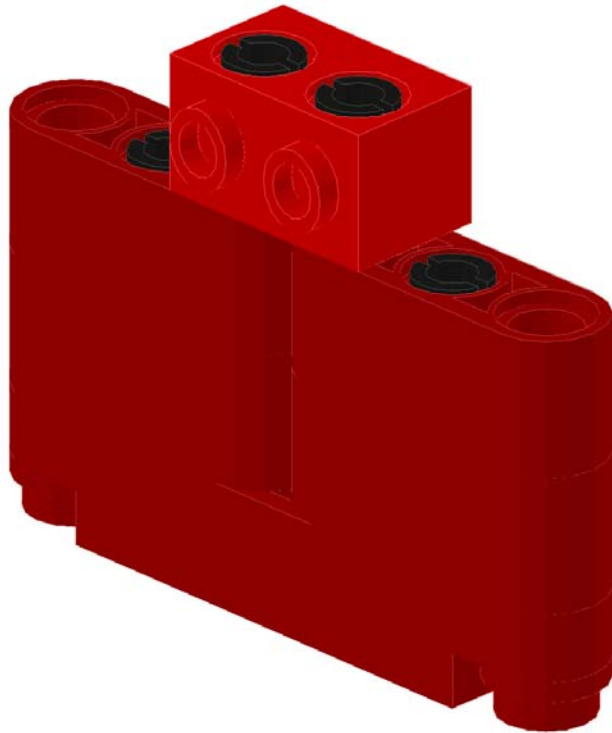
5



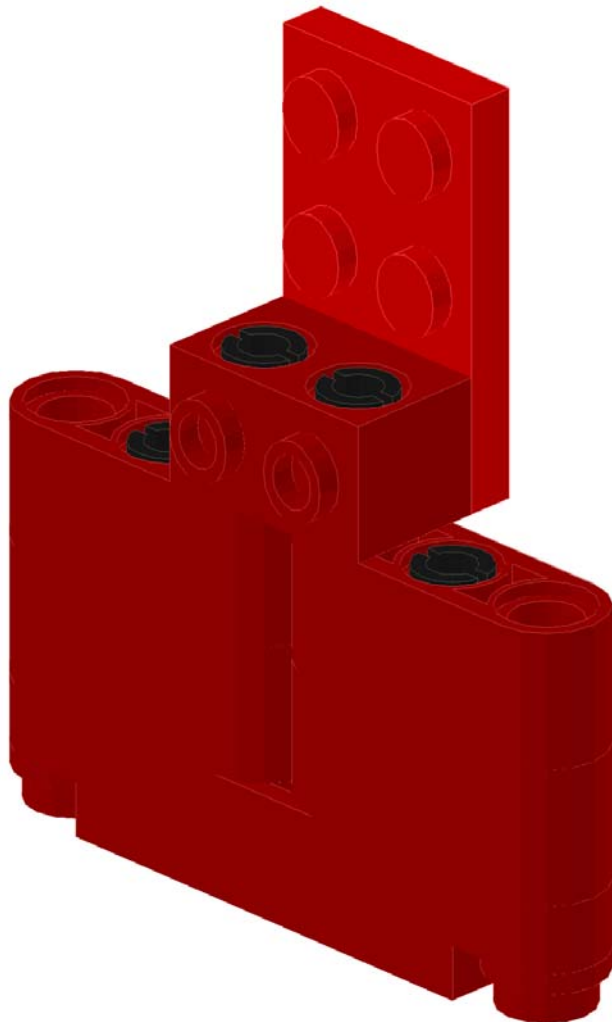
6



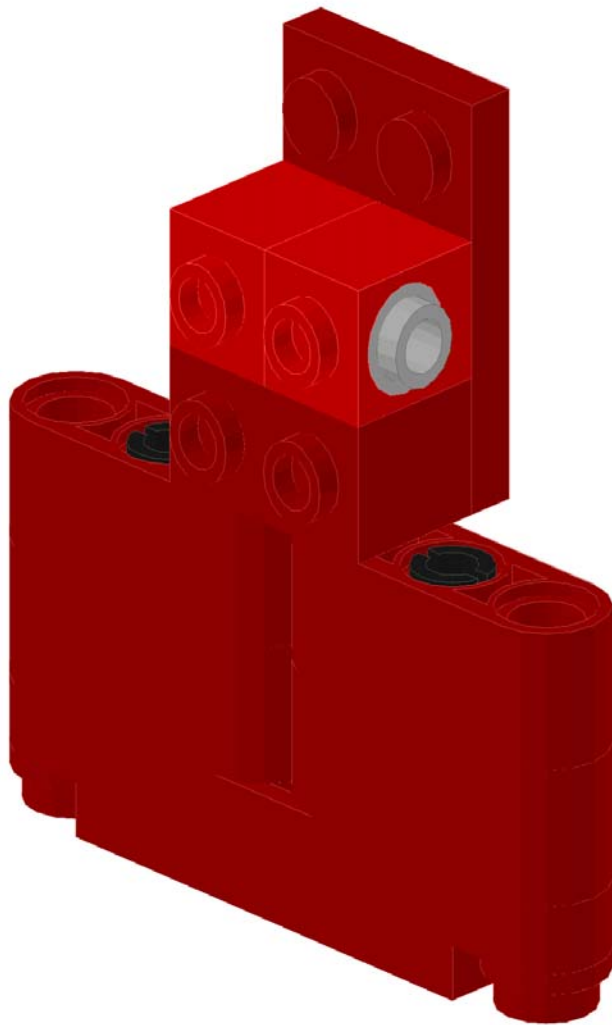
7



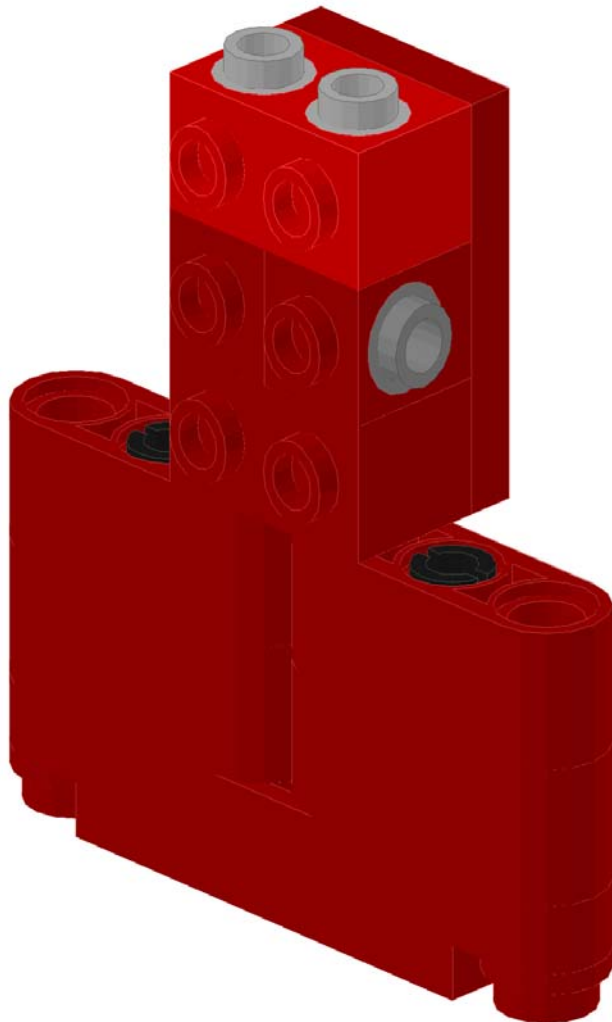
8



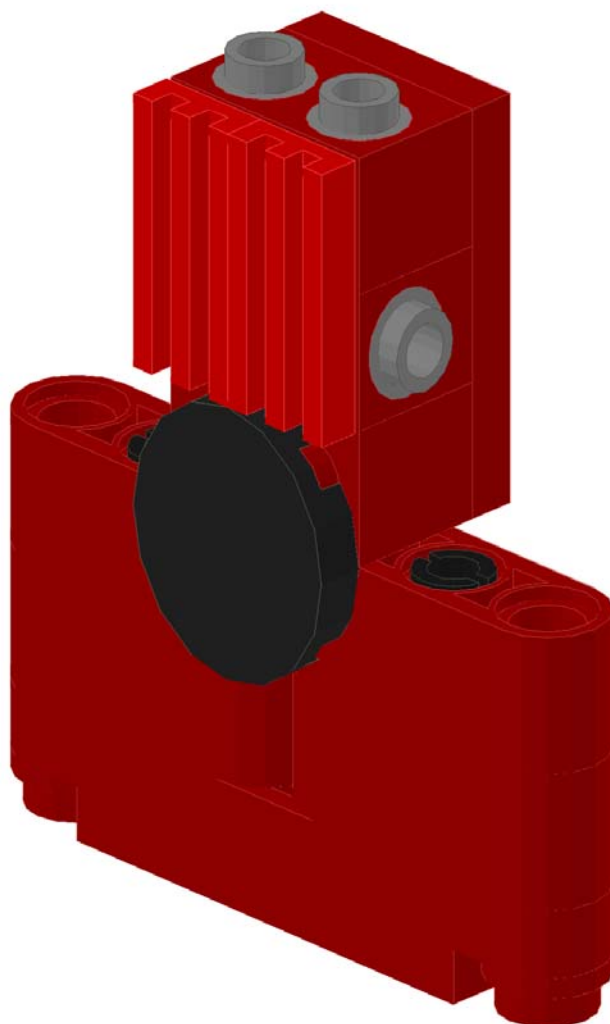
9



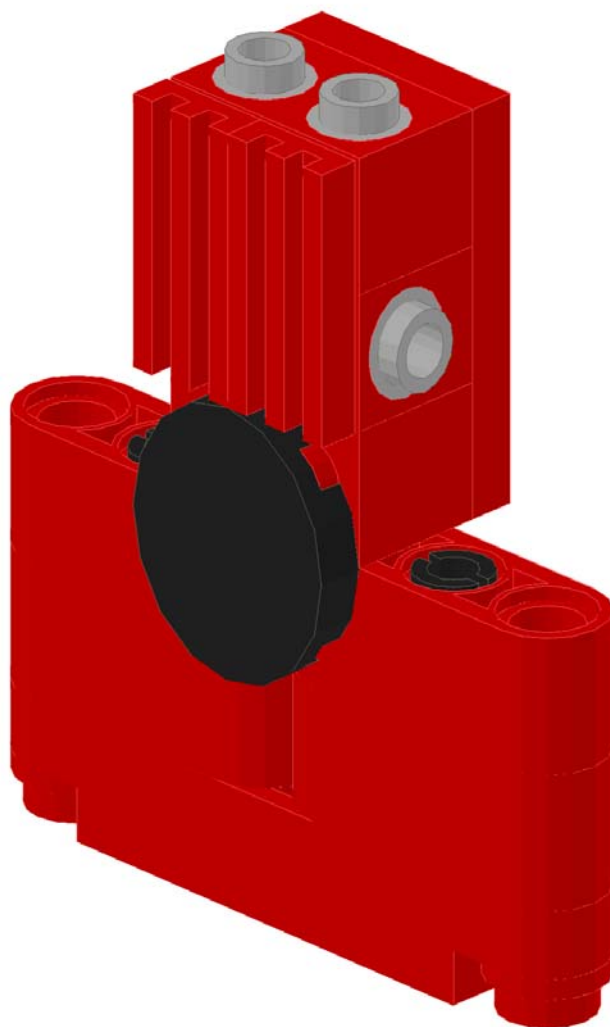
10



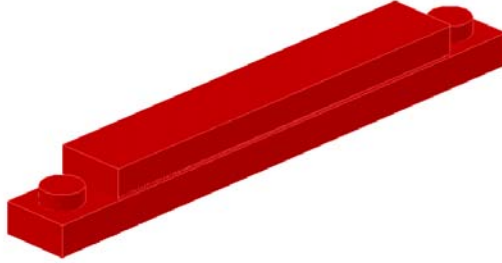
11



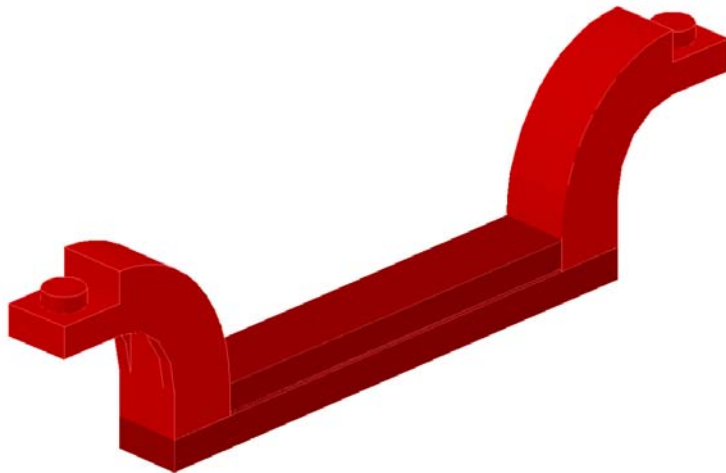
12



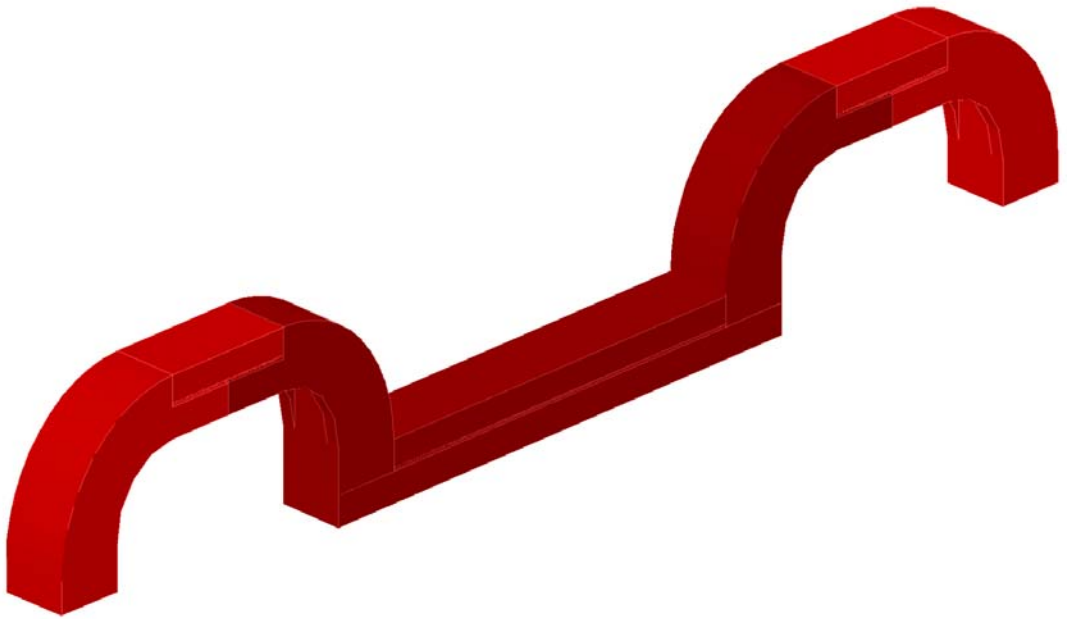
1



2



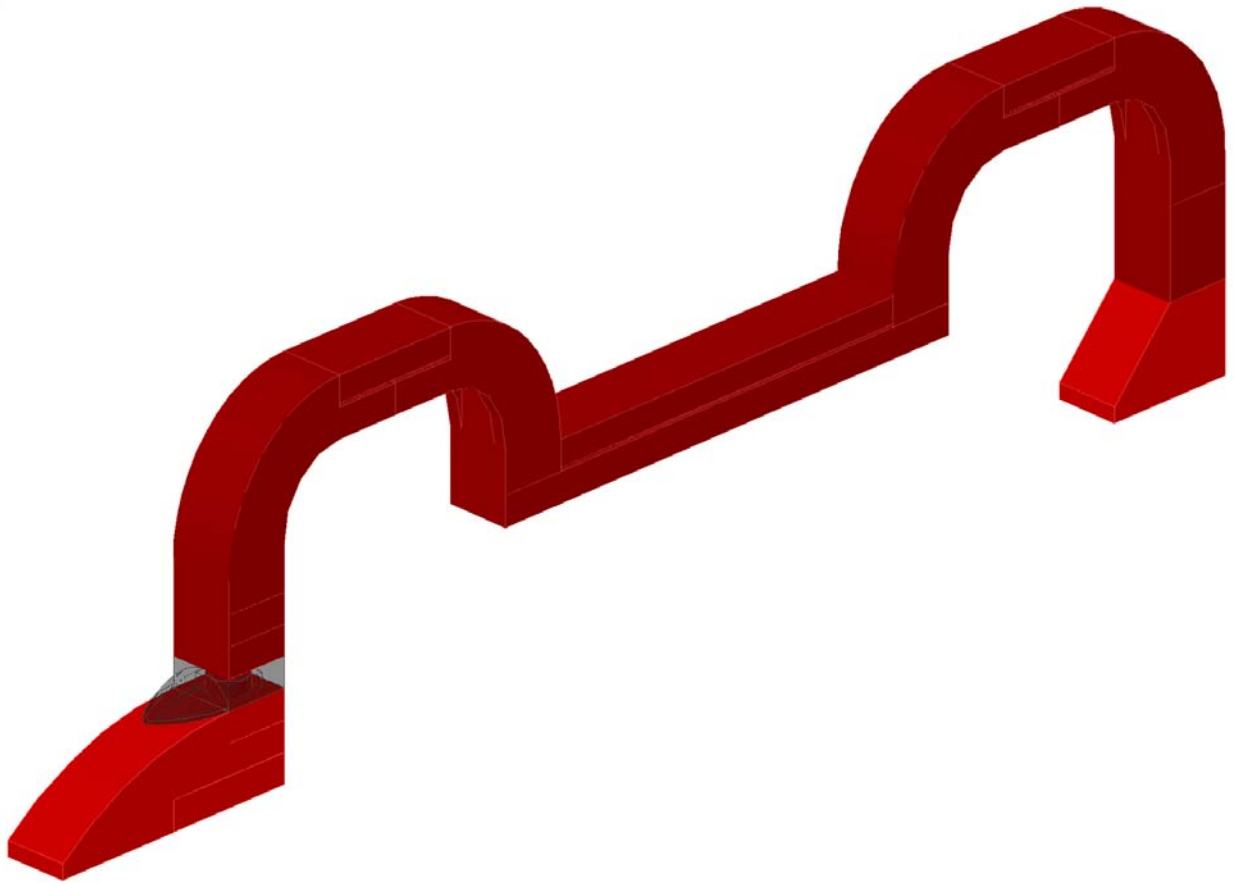
3



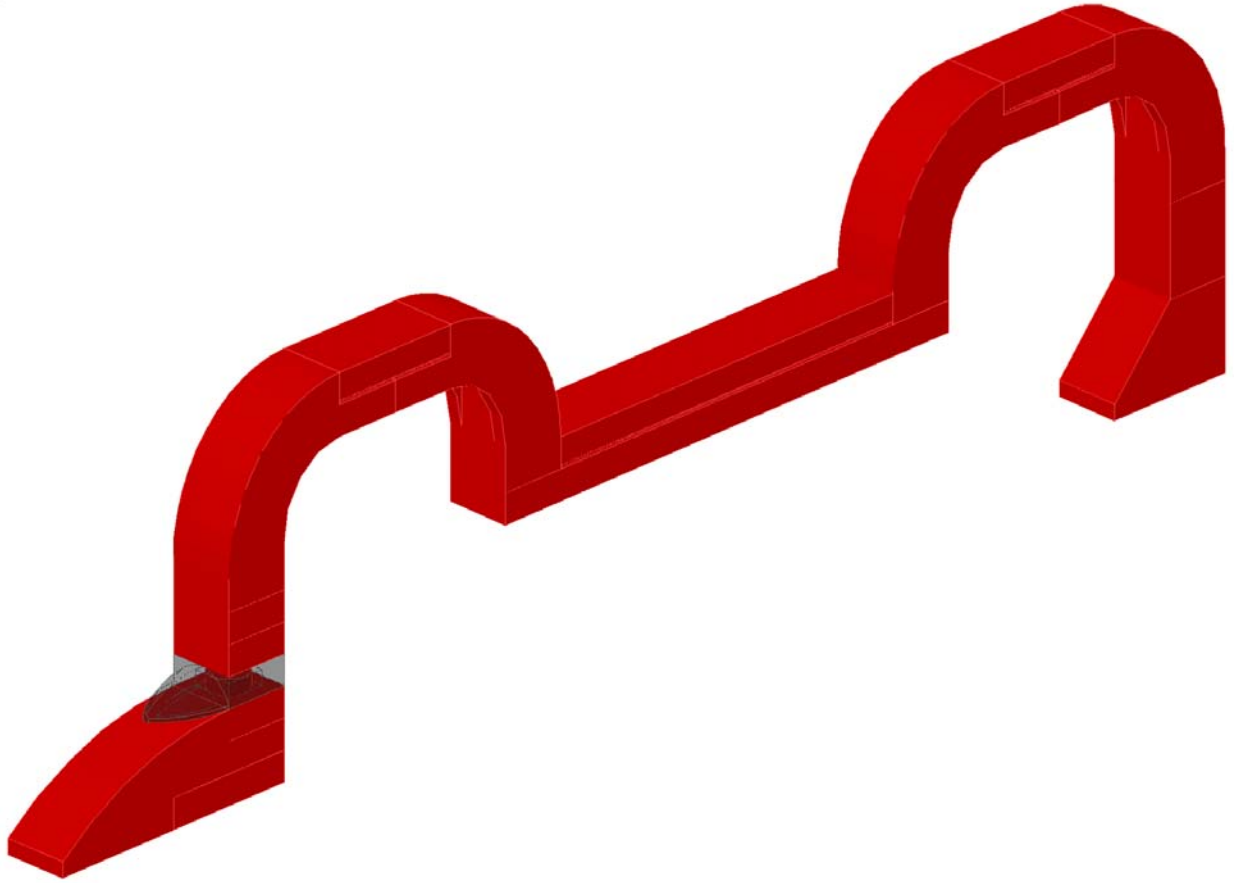
4



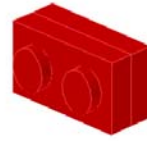
5



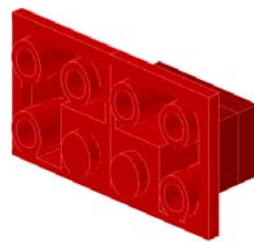
6



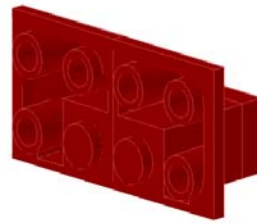
1



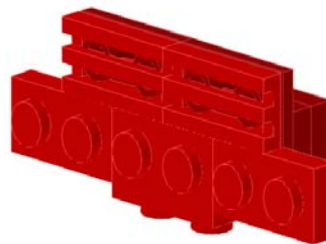
2



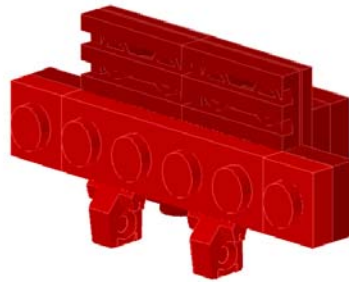
3



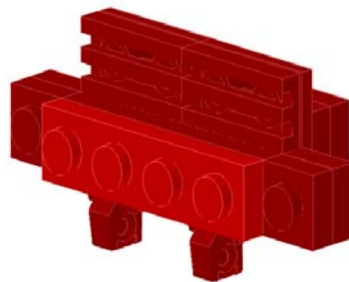
4



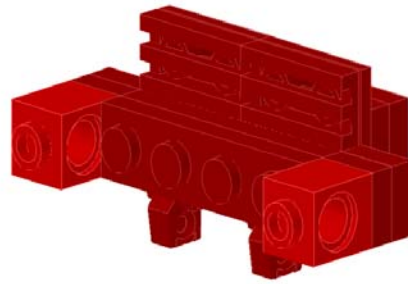
5



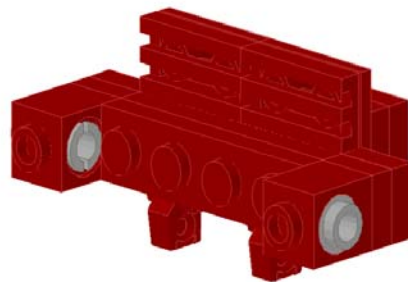
6



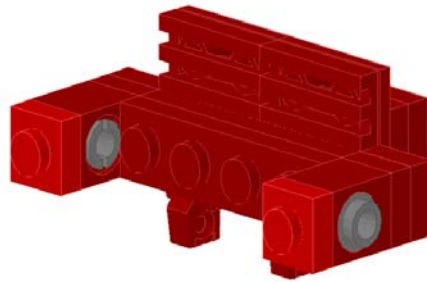
1



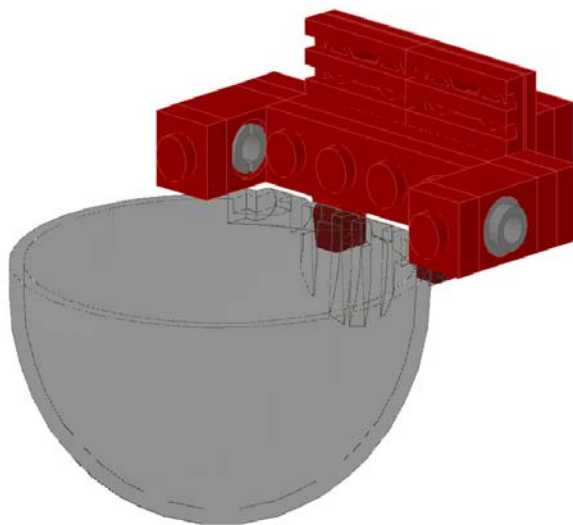
8



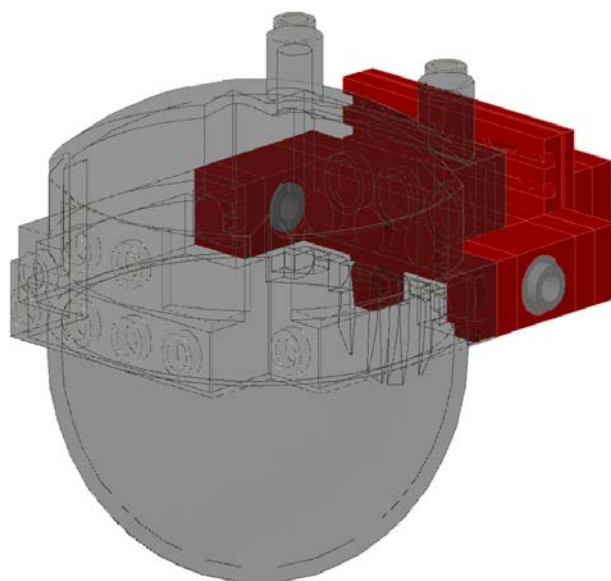
9



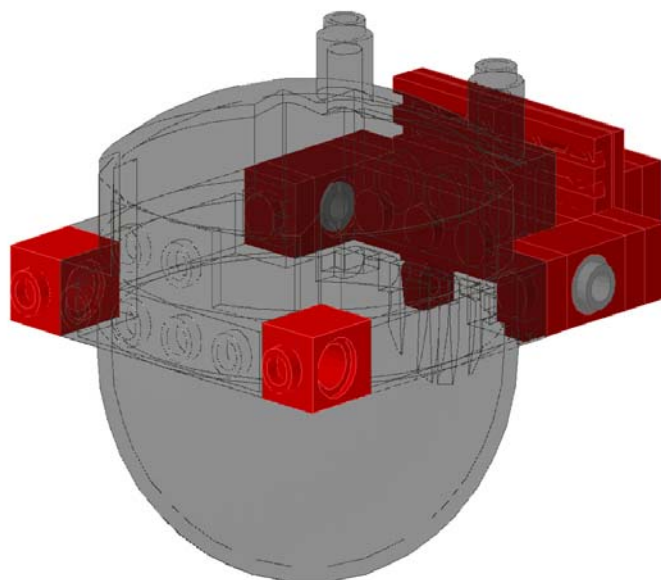
10



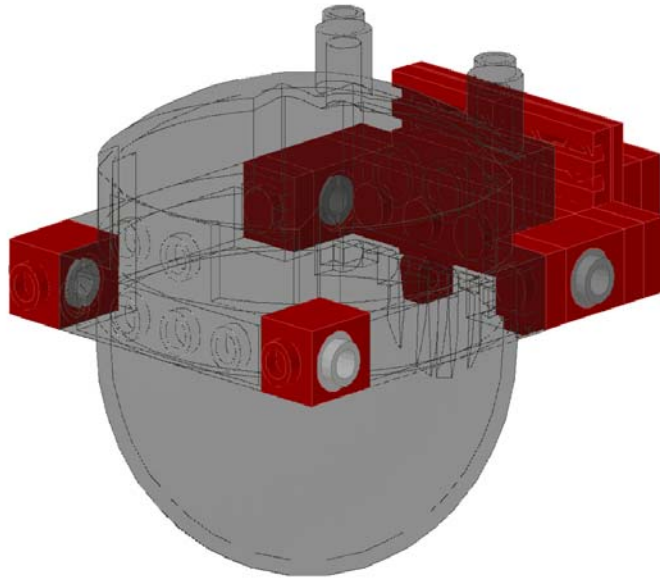
11



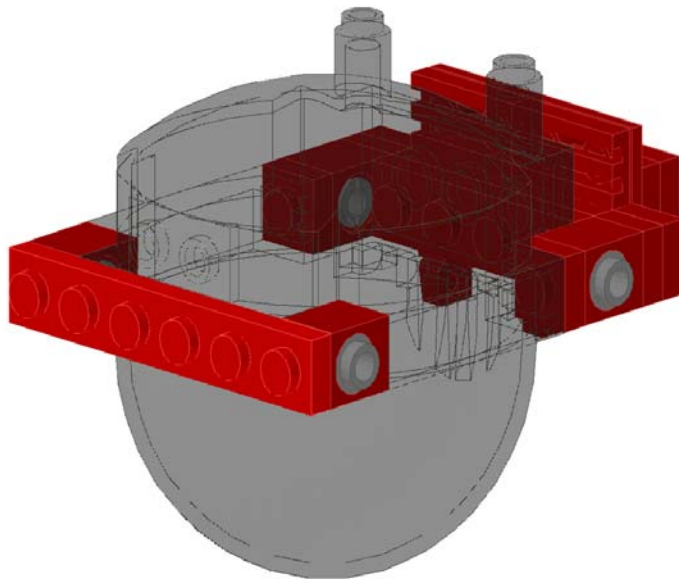
12



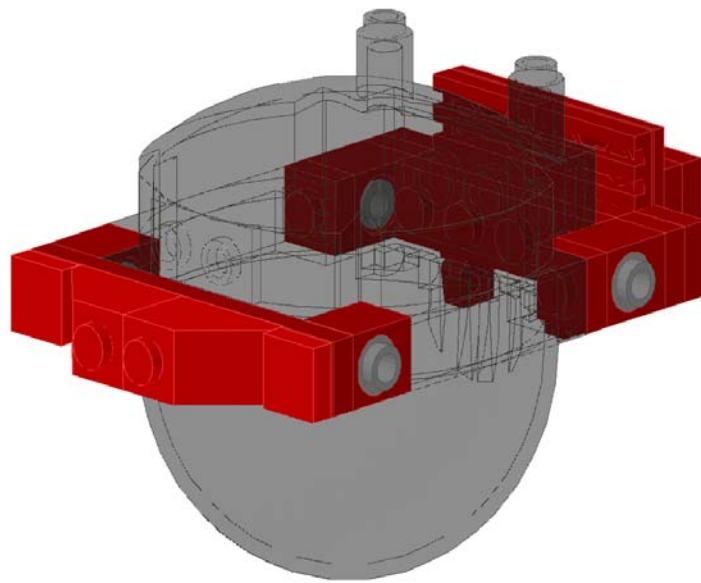
13



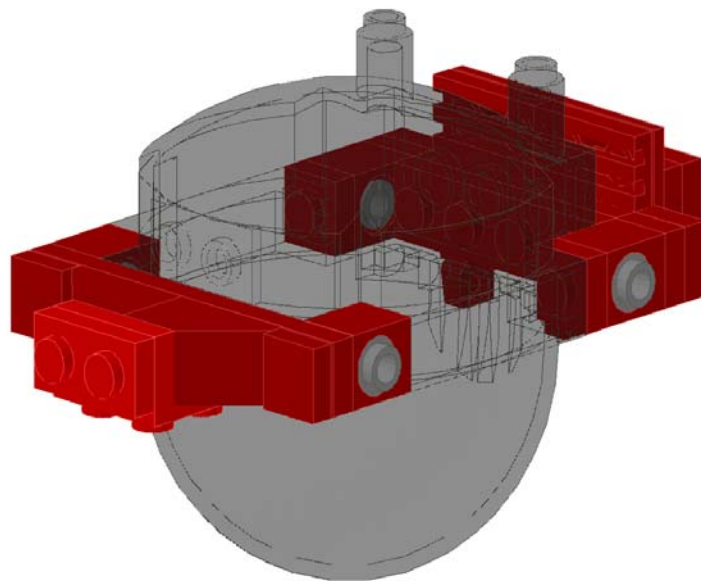
14



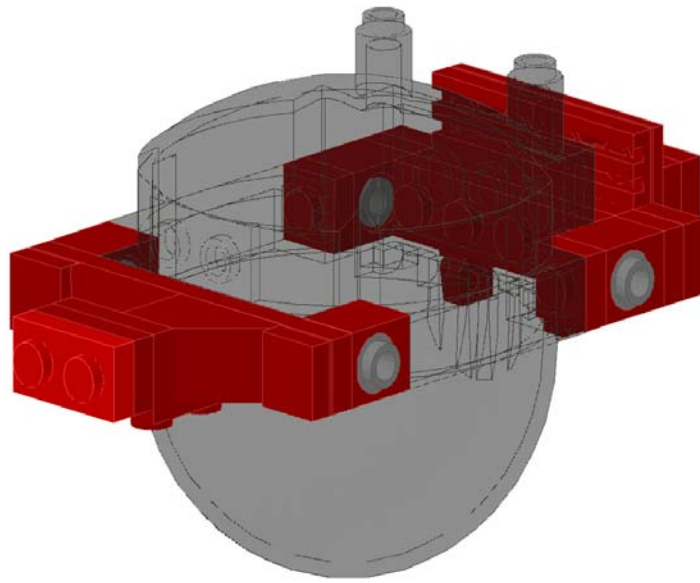
15



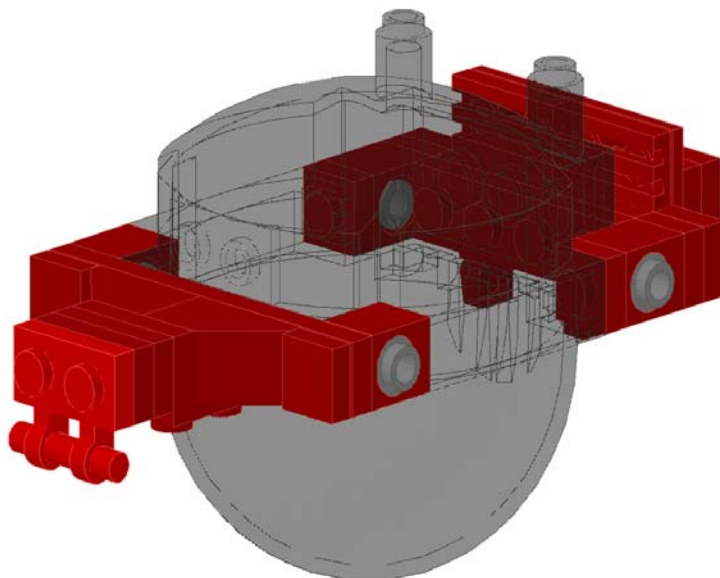
16



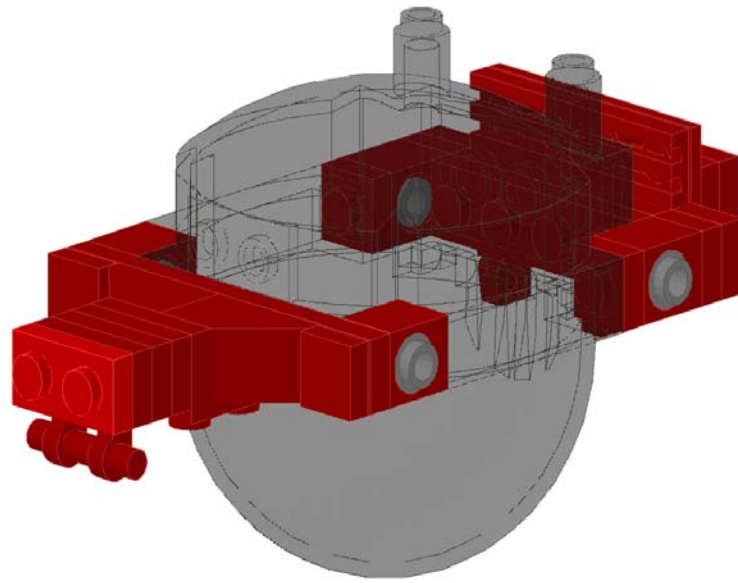
17



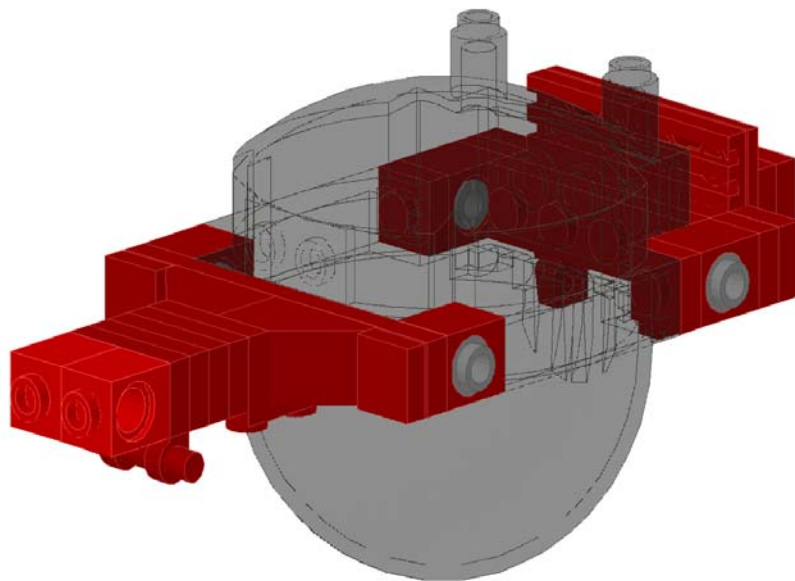
18



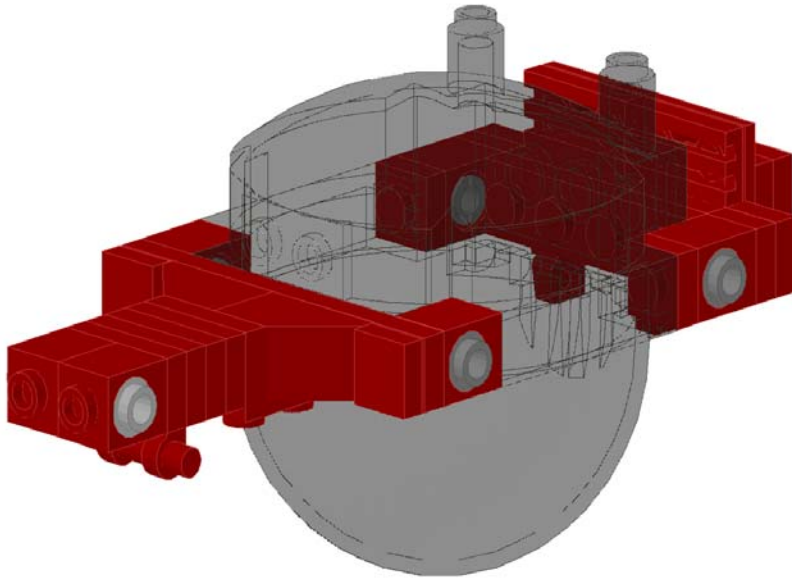
19



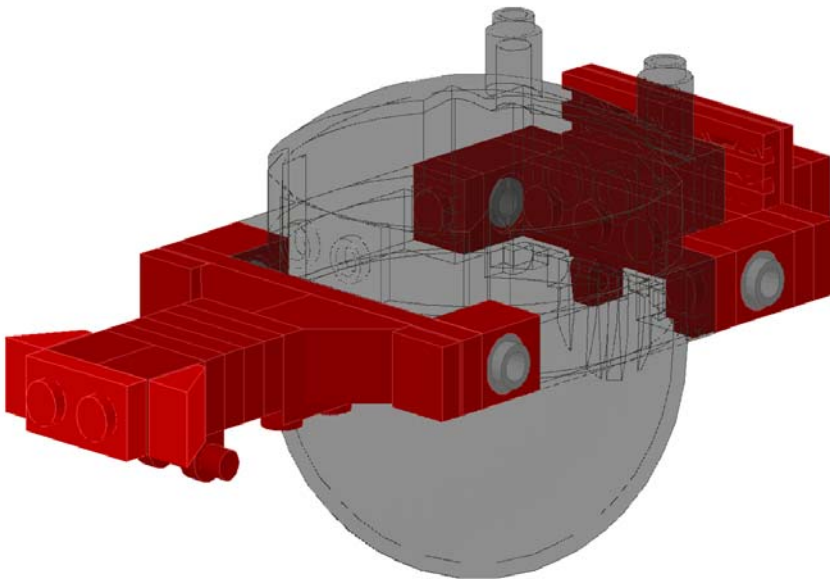
20



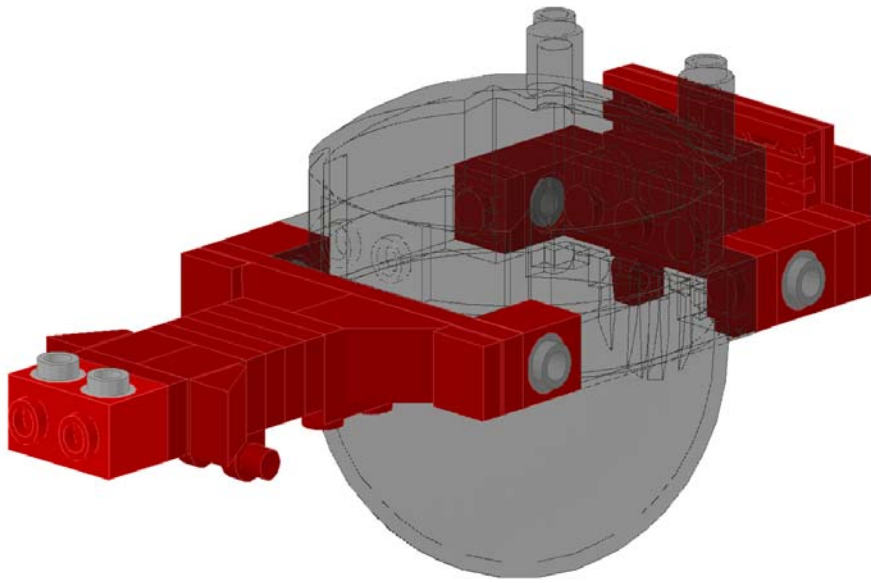
21



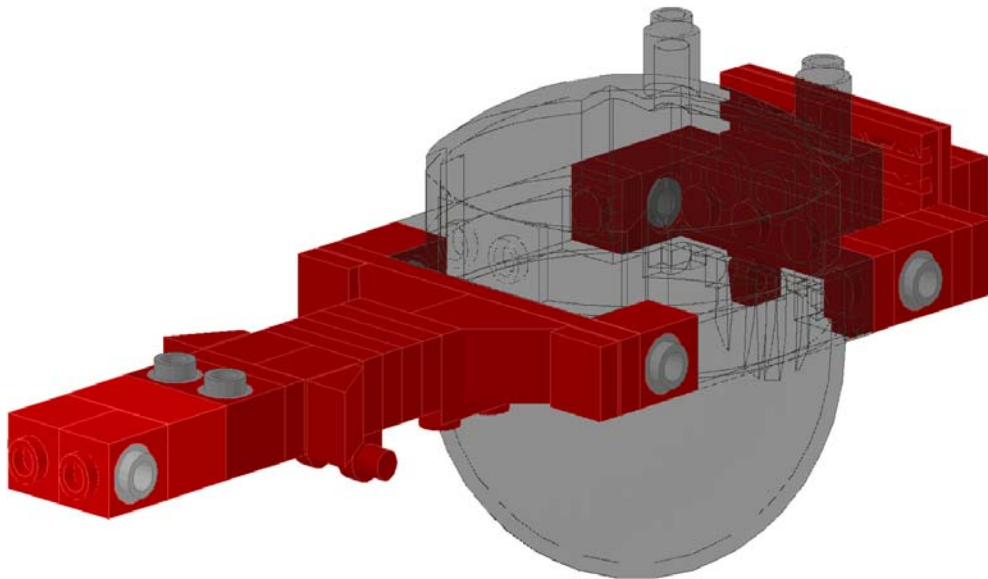
22



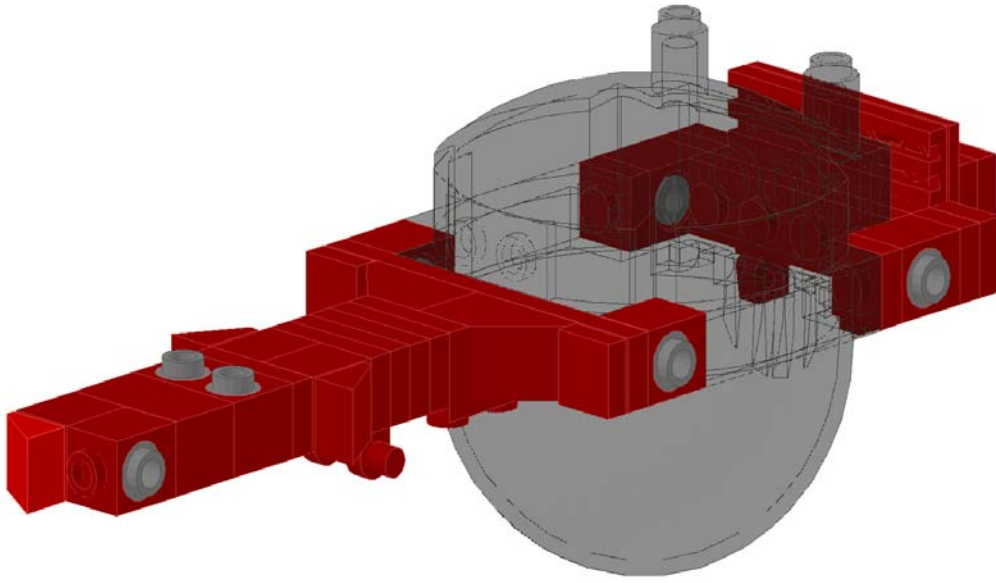
23



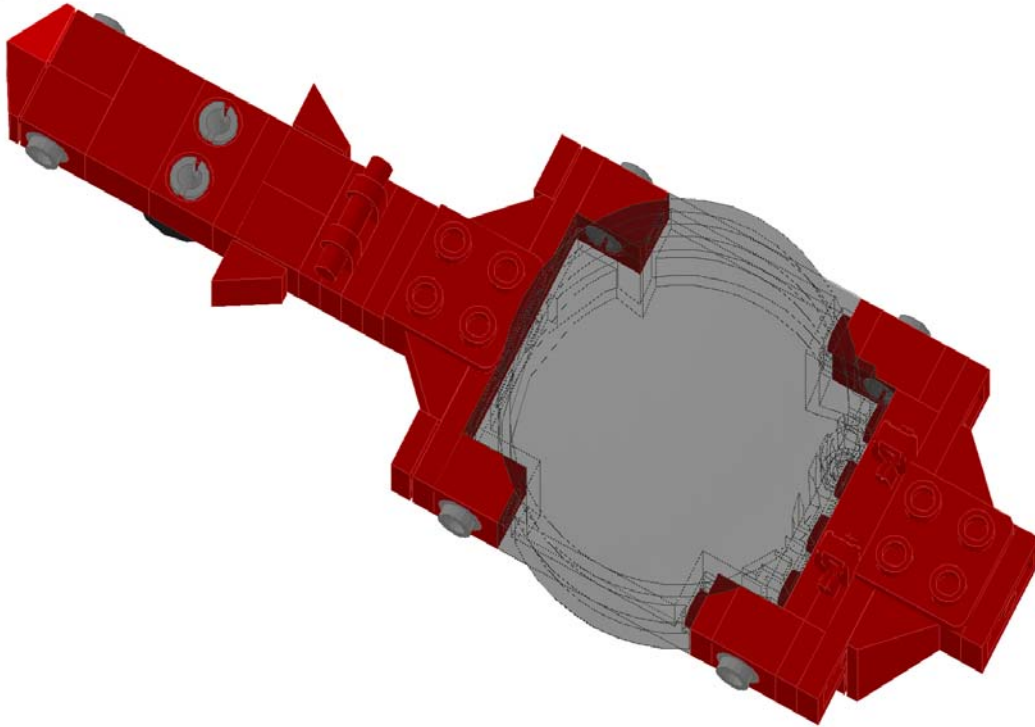
24



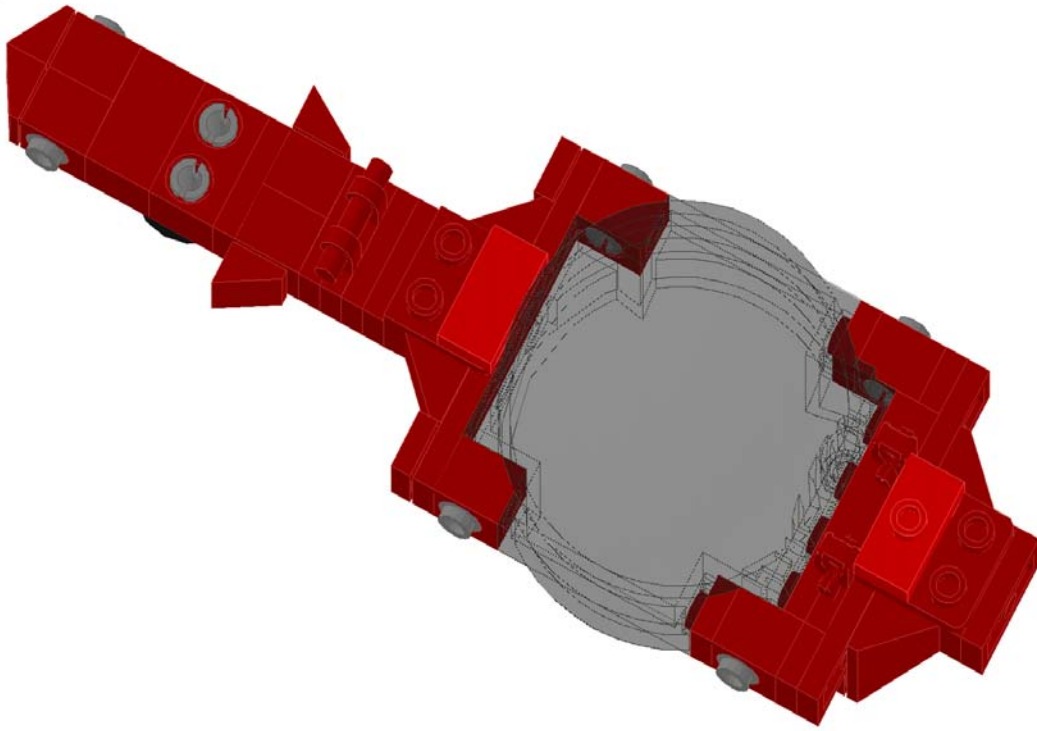
25



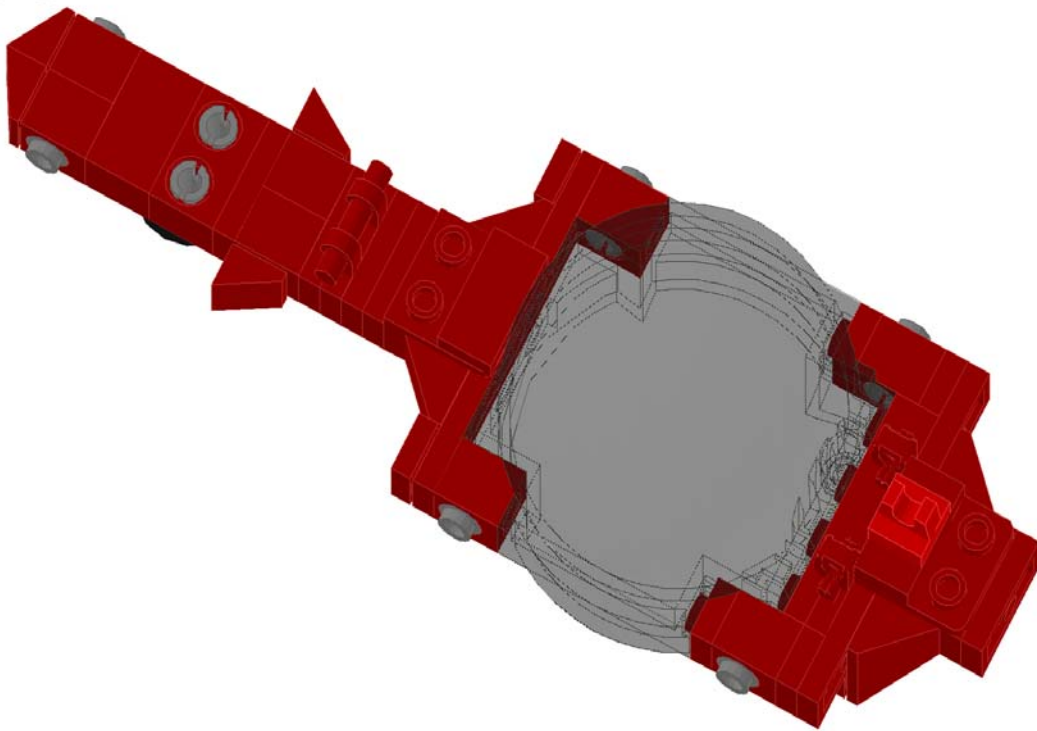
26



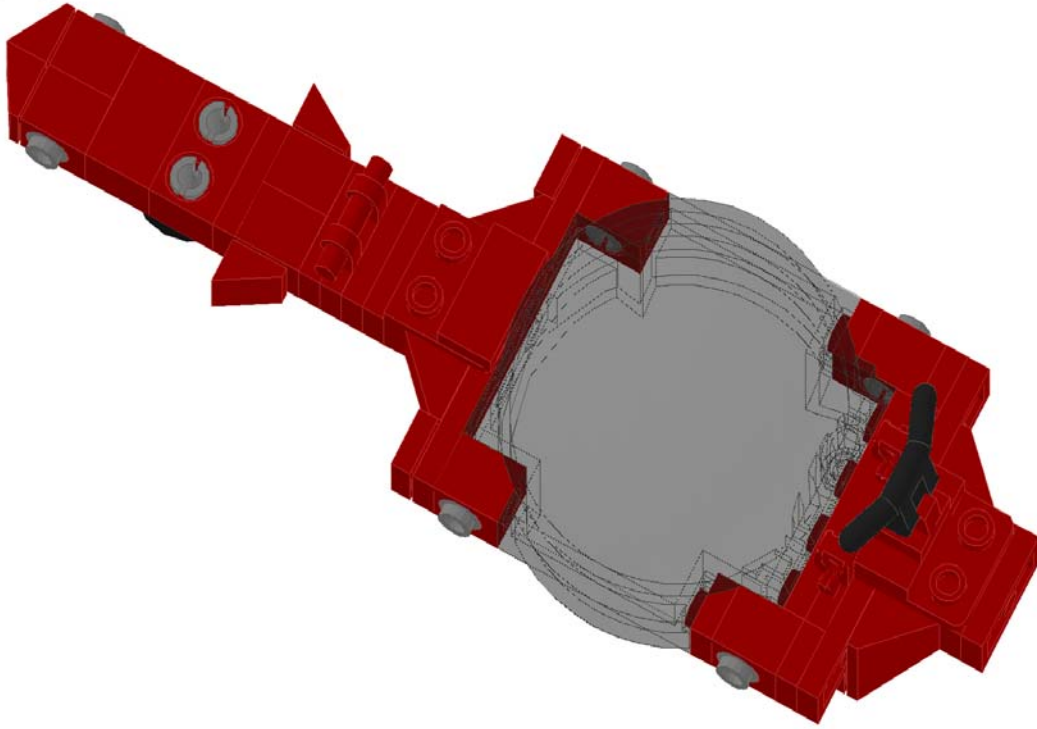
27



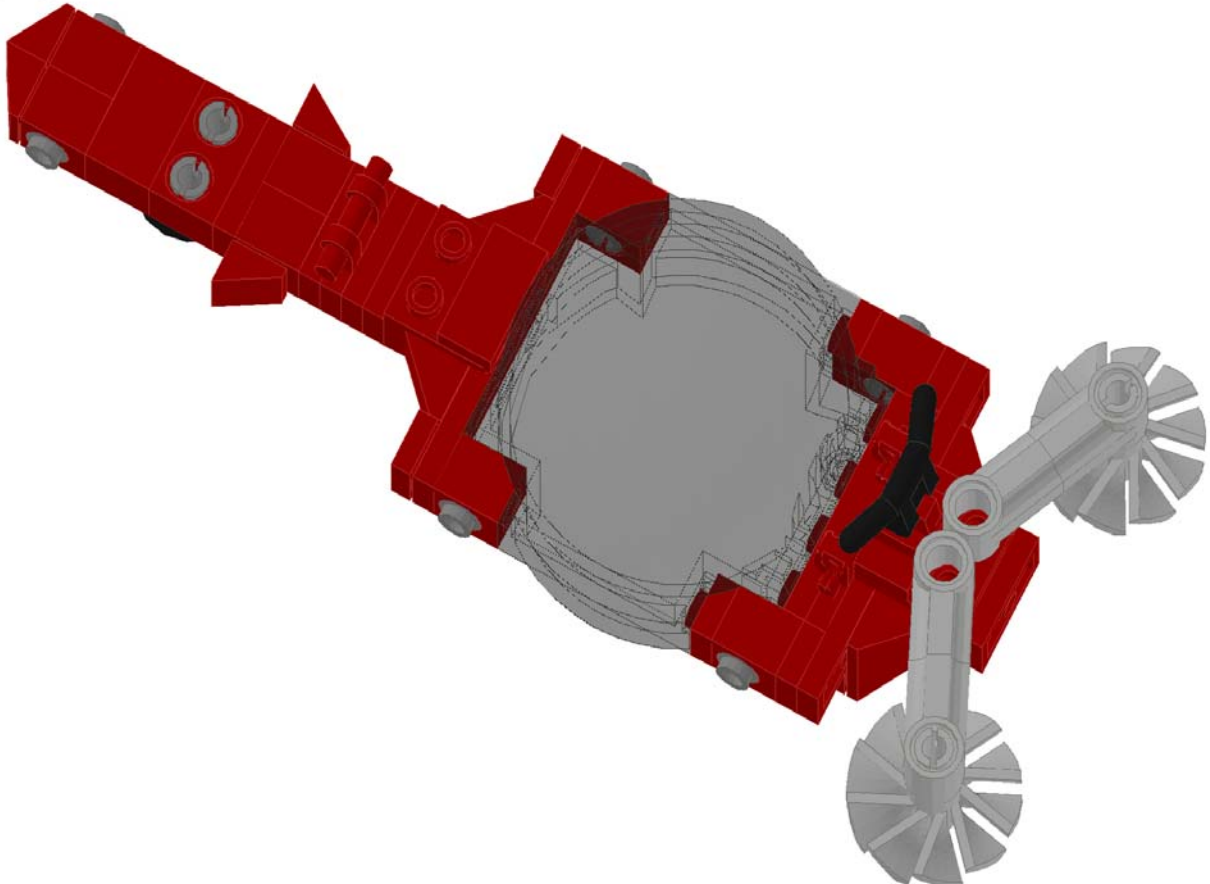
28



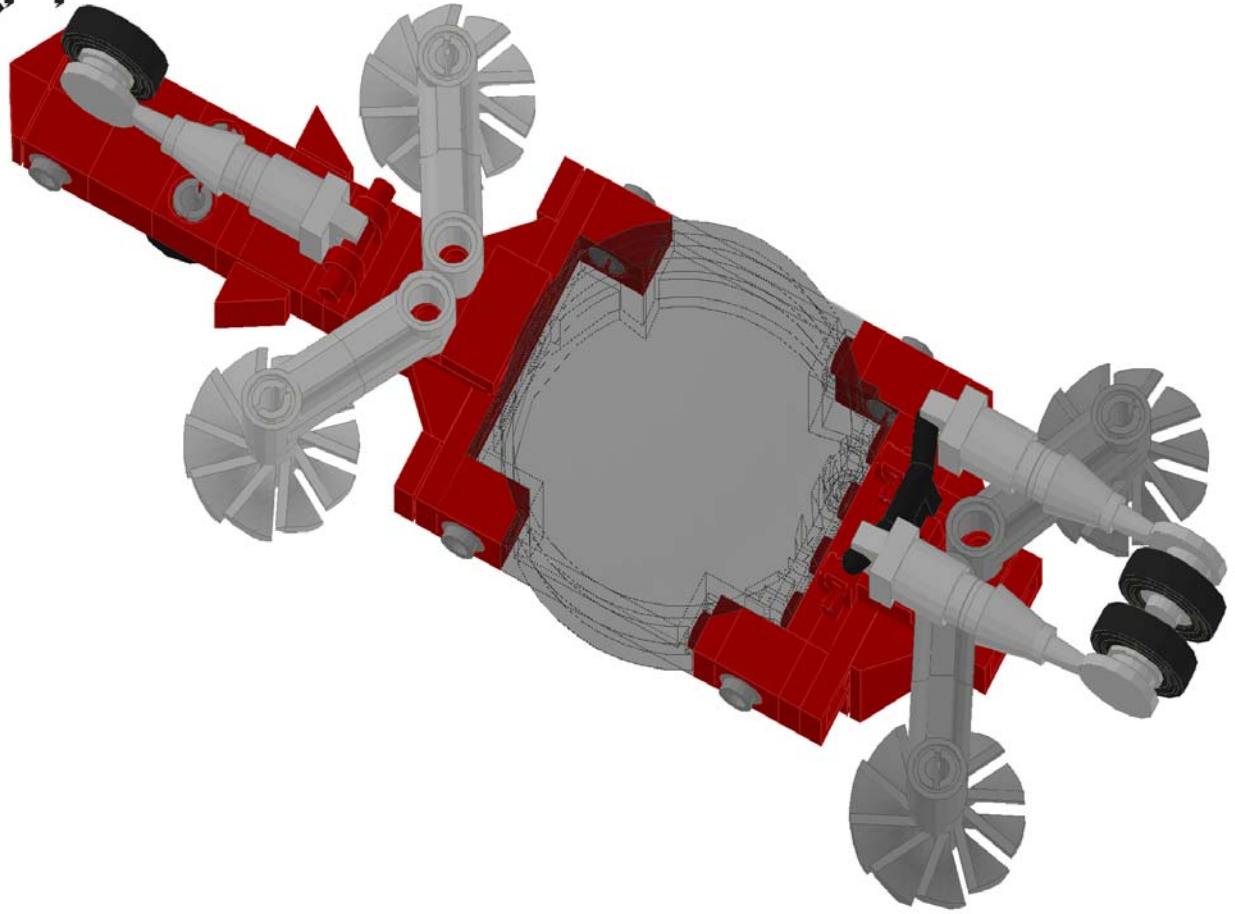
29



30



31



32

