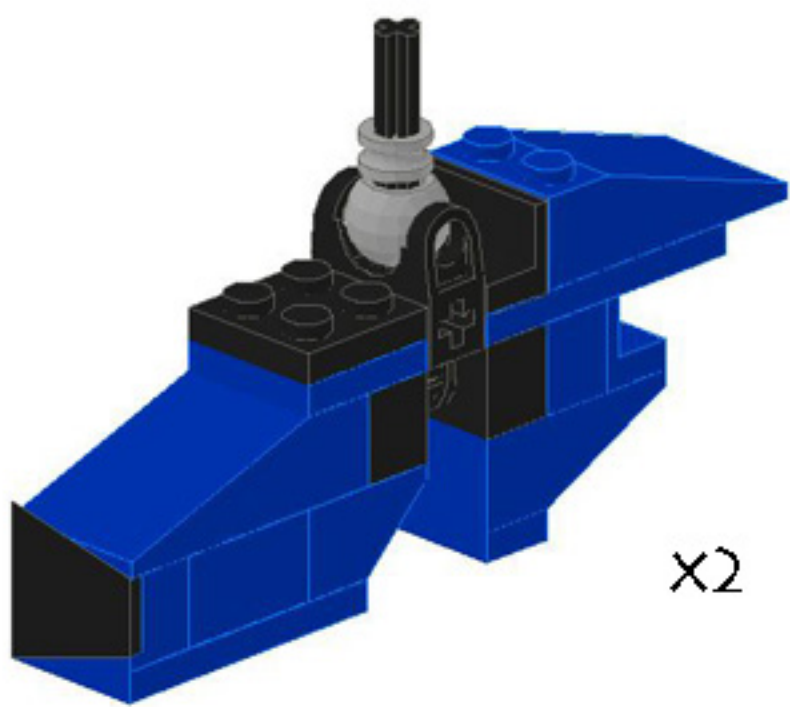
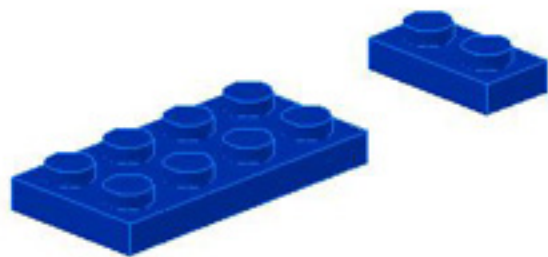


STEIN DESIGN

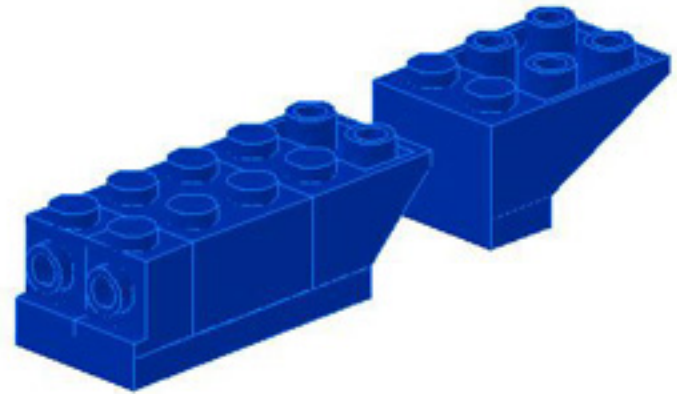
BRUISER MECHA INSTRUCTIONS



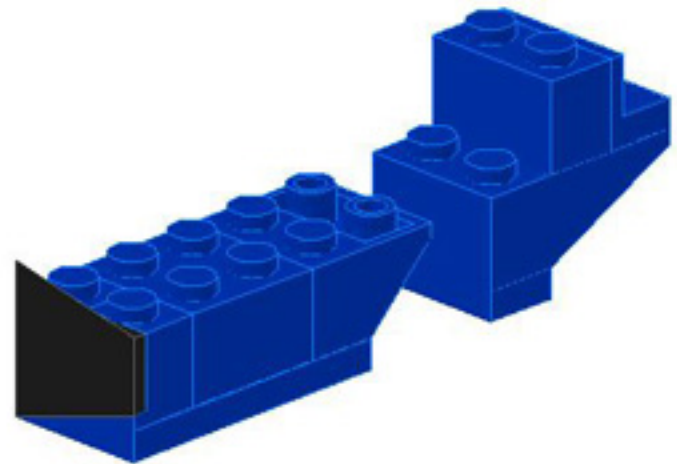
x2



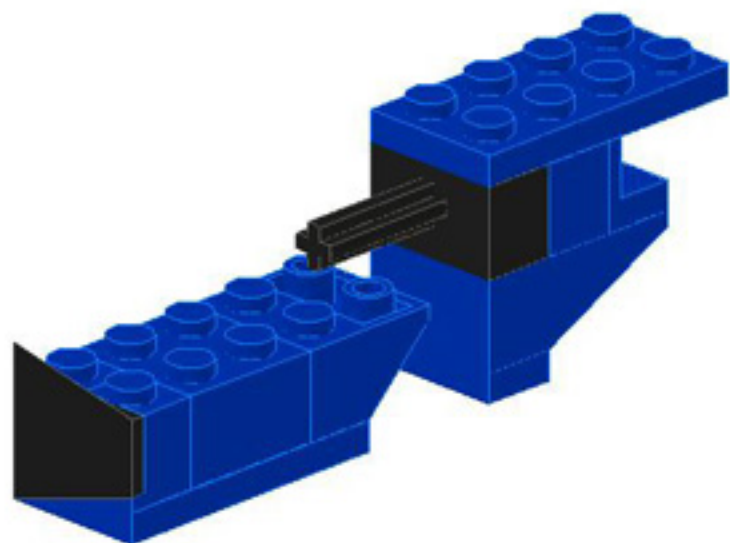
2



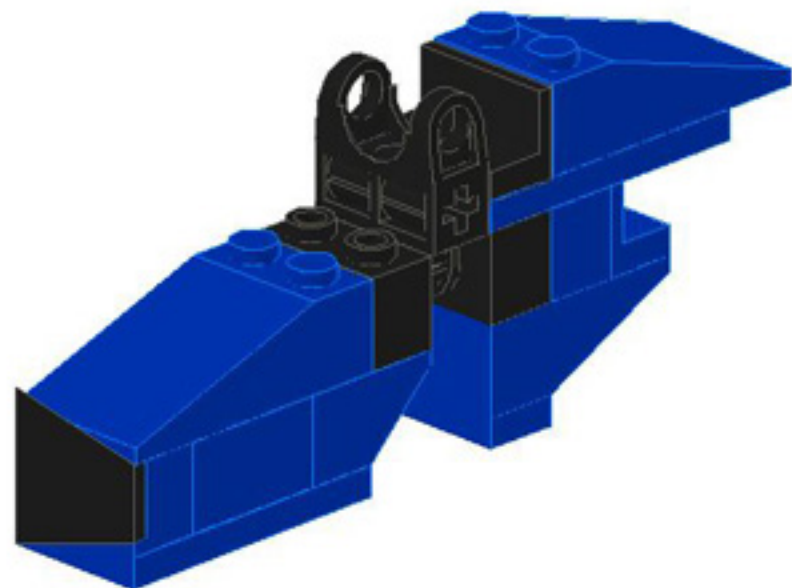
3



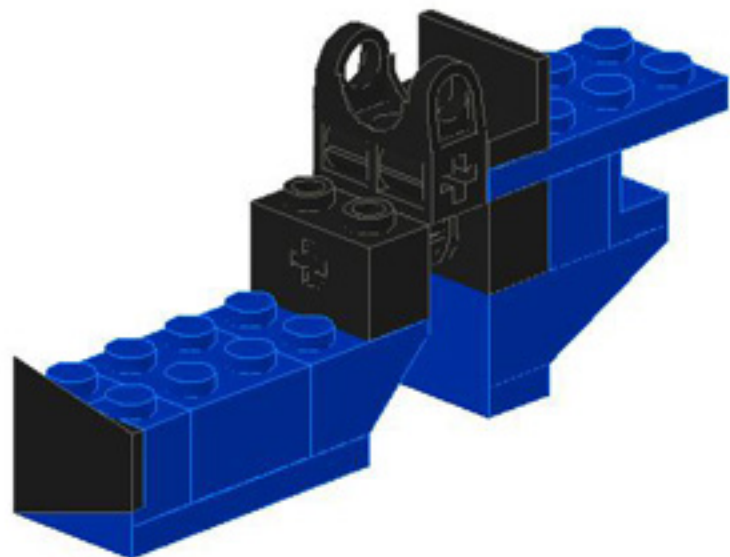
4



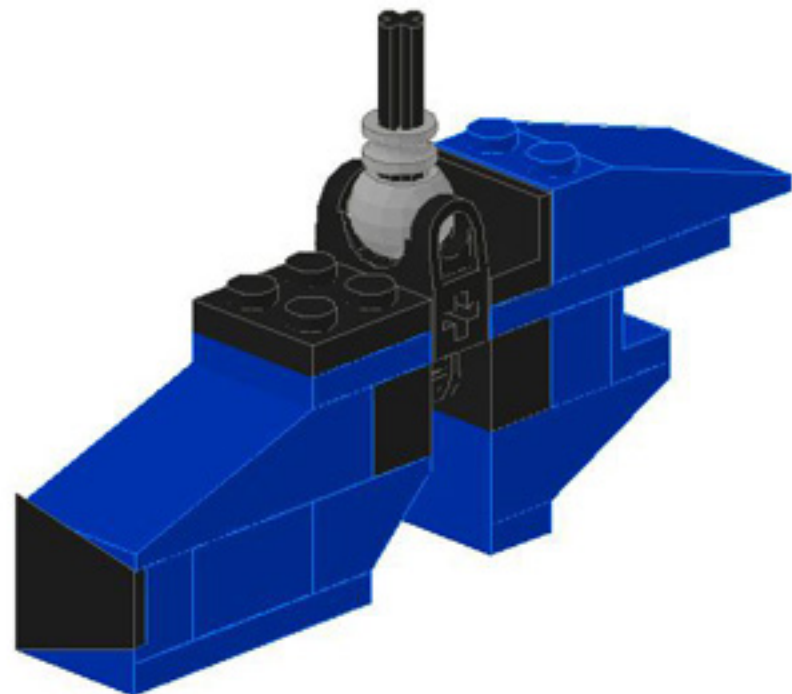
5



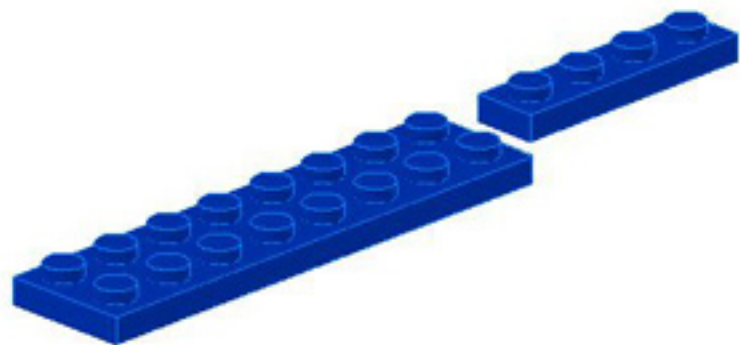
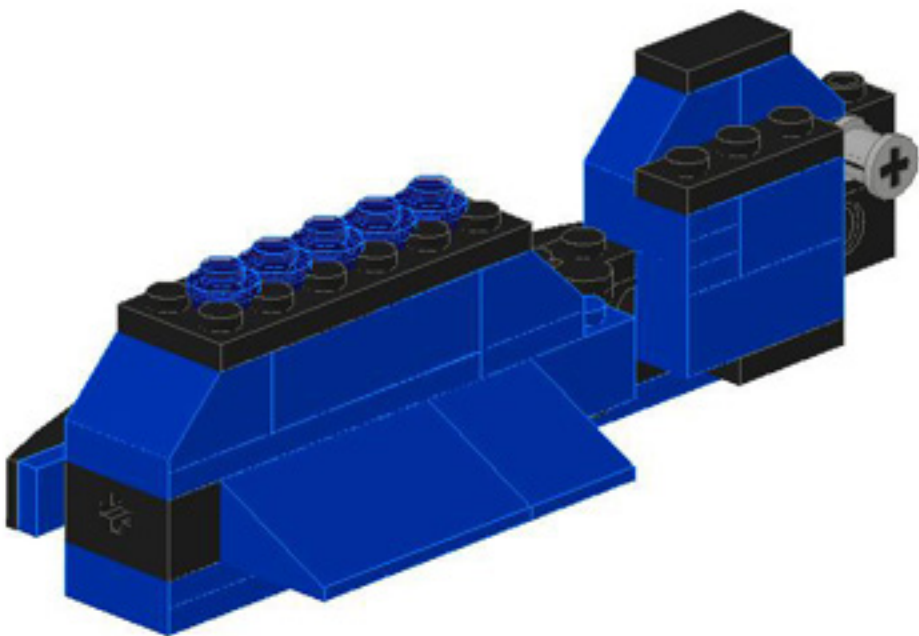
5



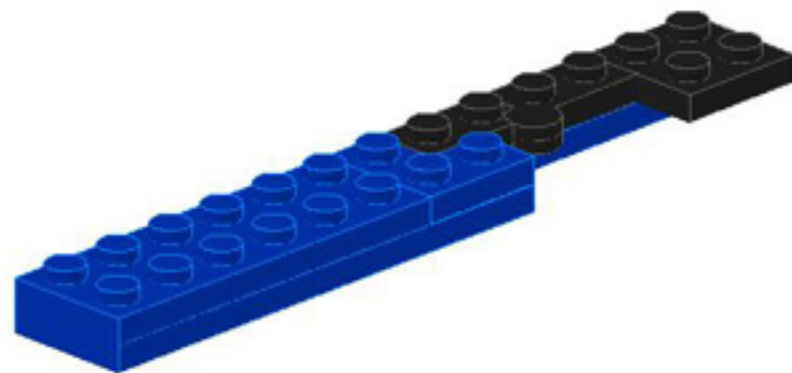
7



8



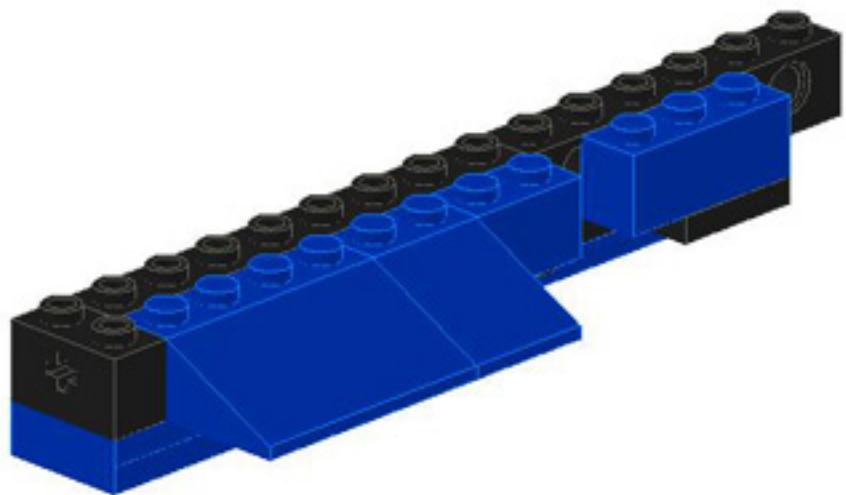
9



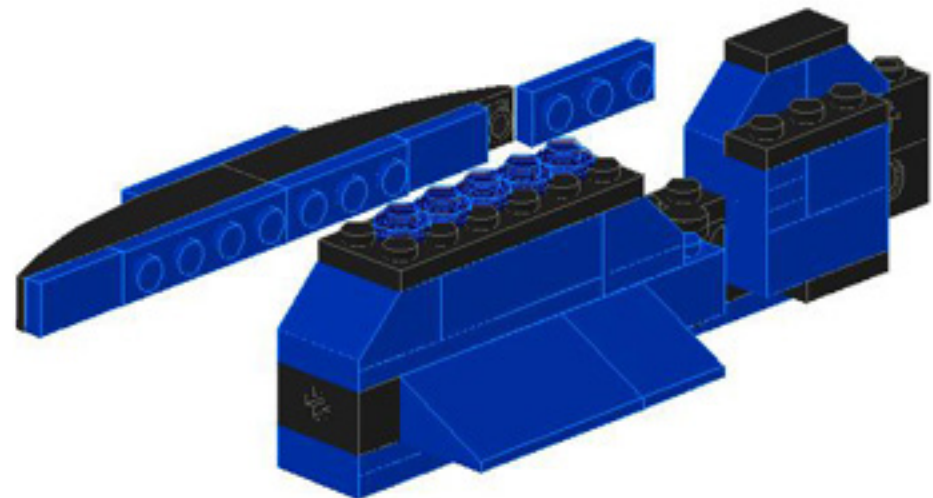
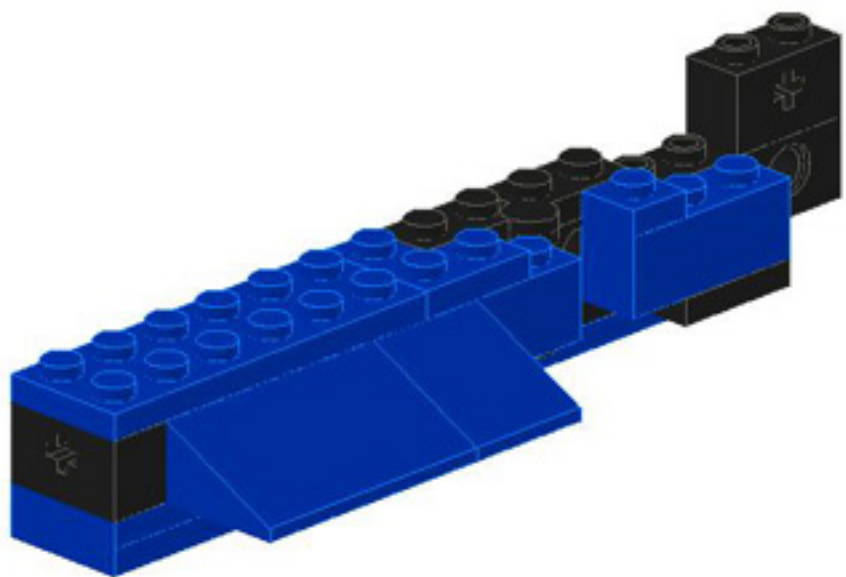
10



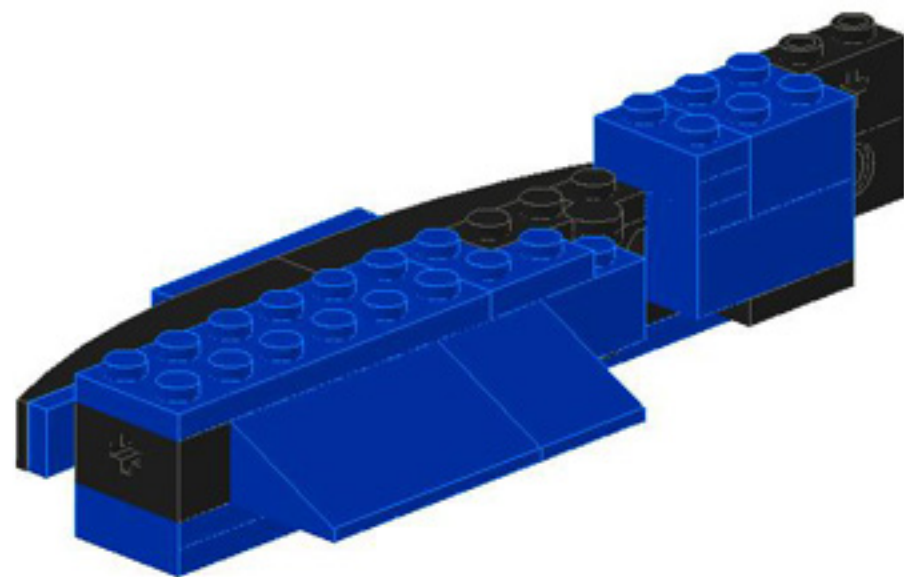
11



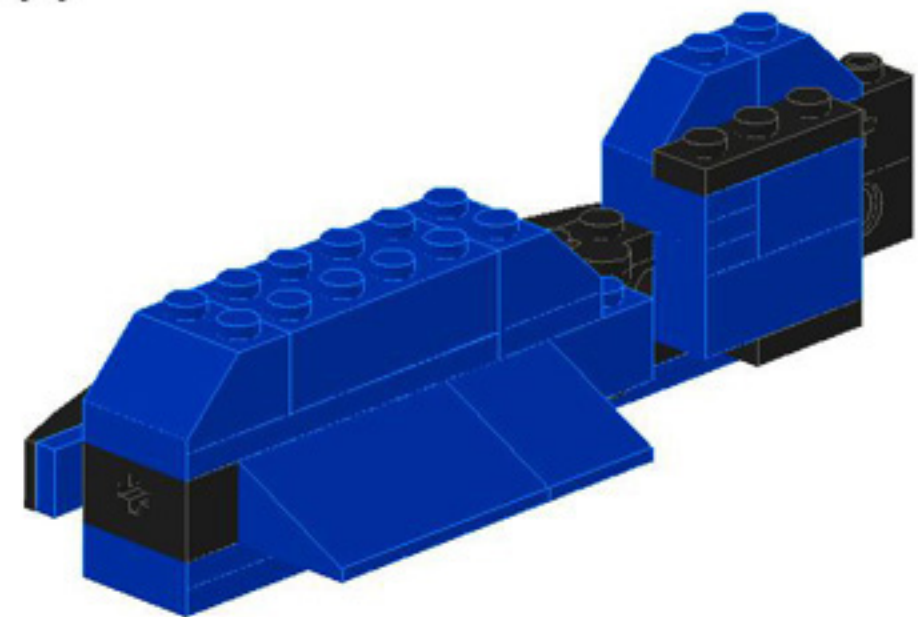
12



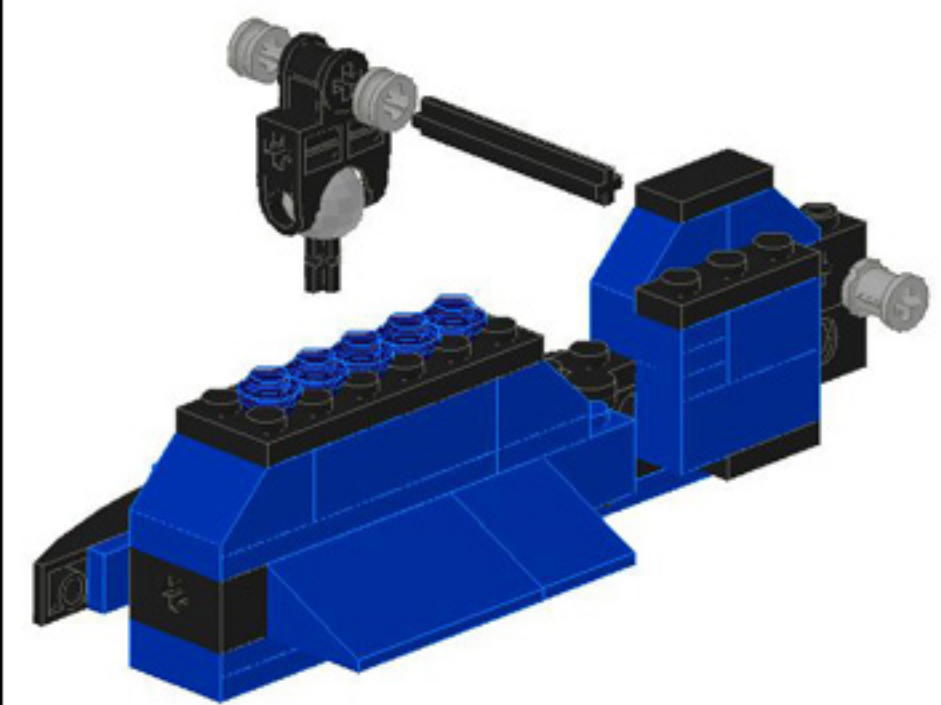
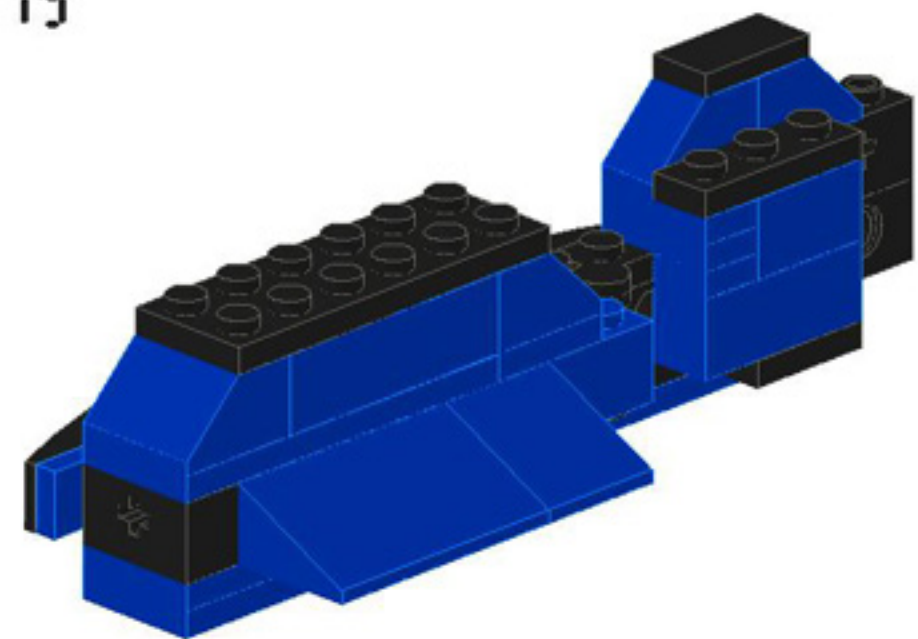
13



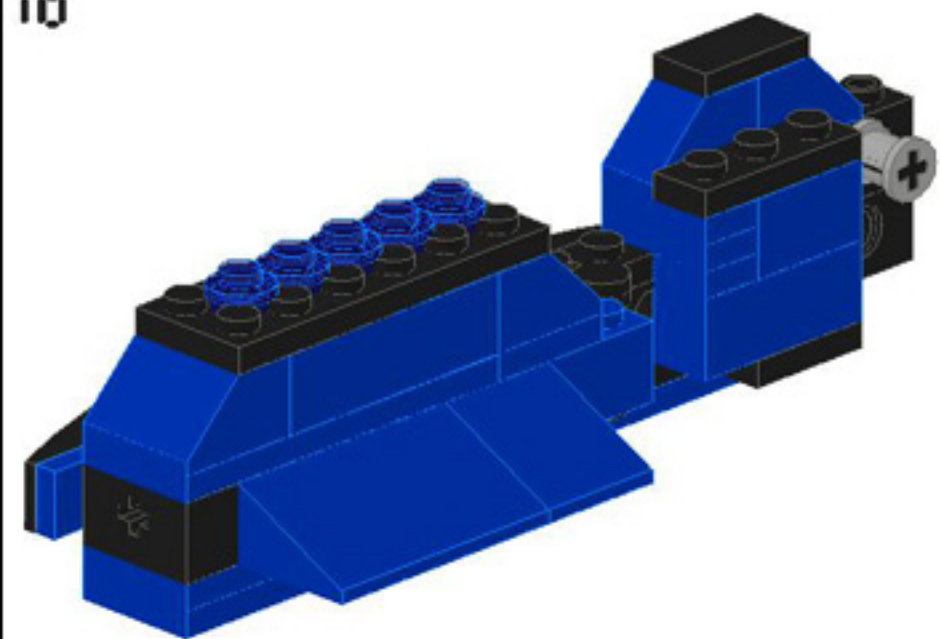
14

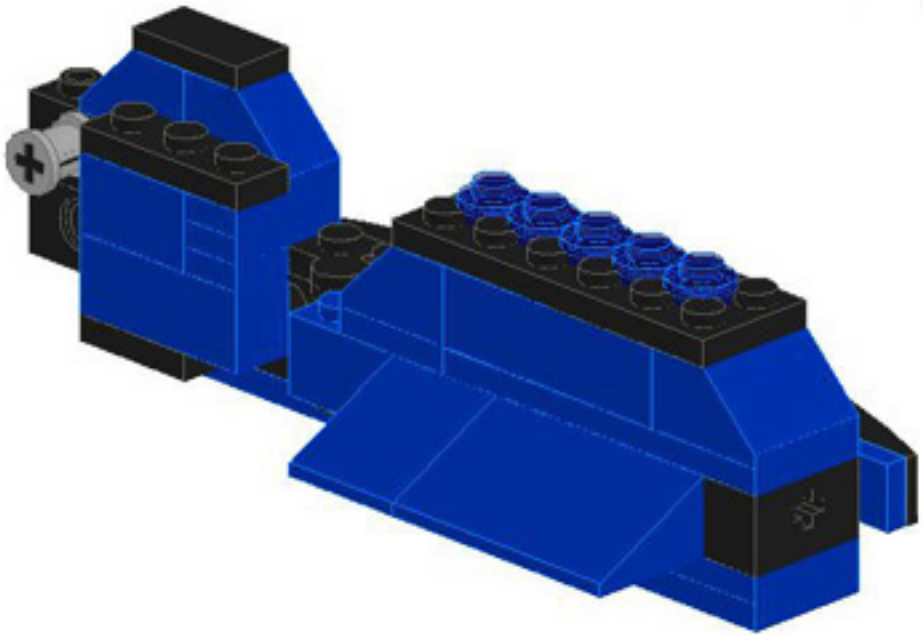


15

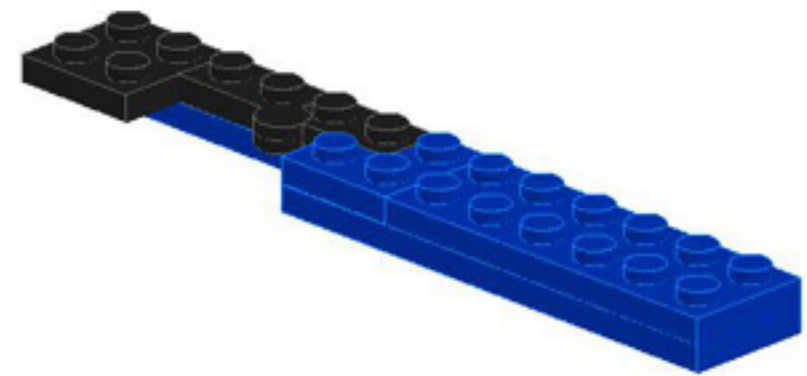


16





18



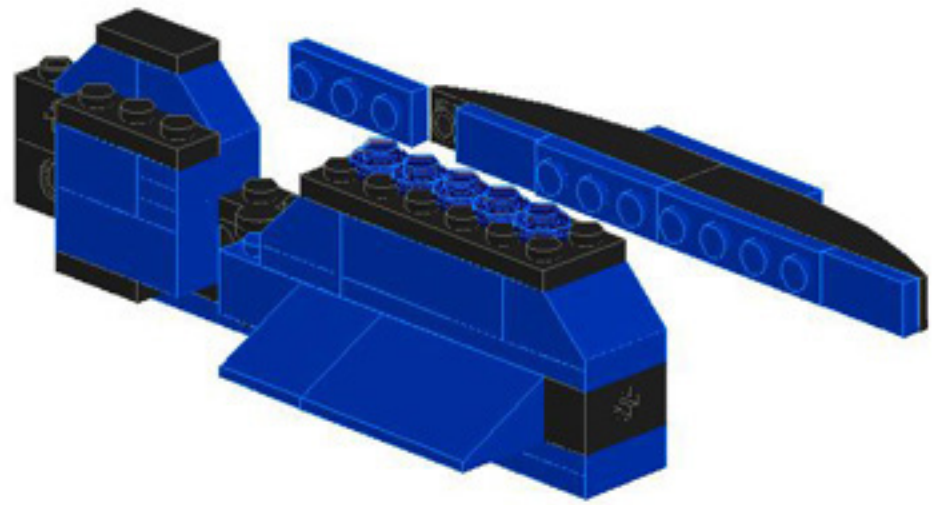
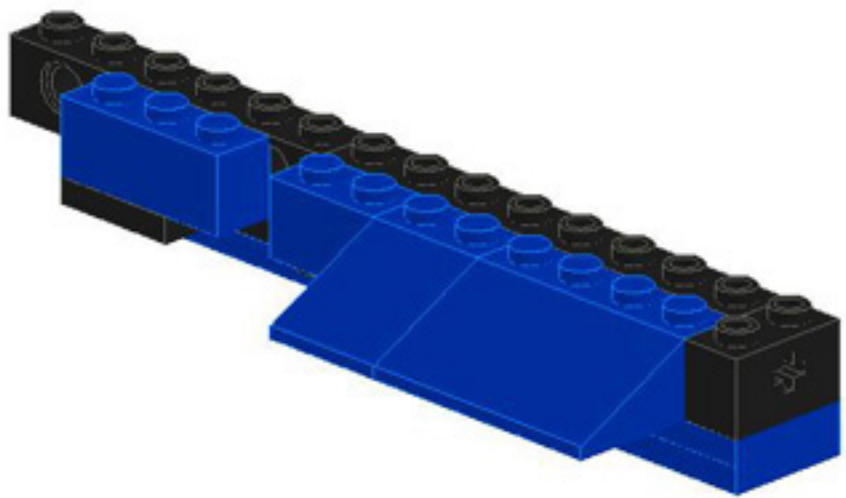
19



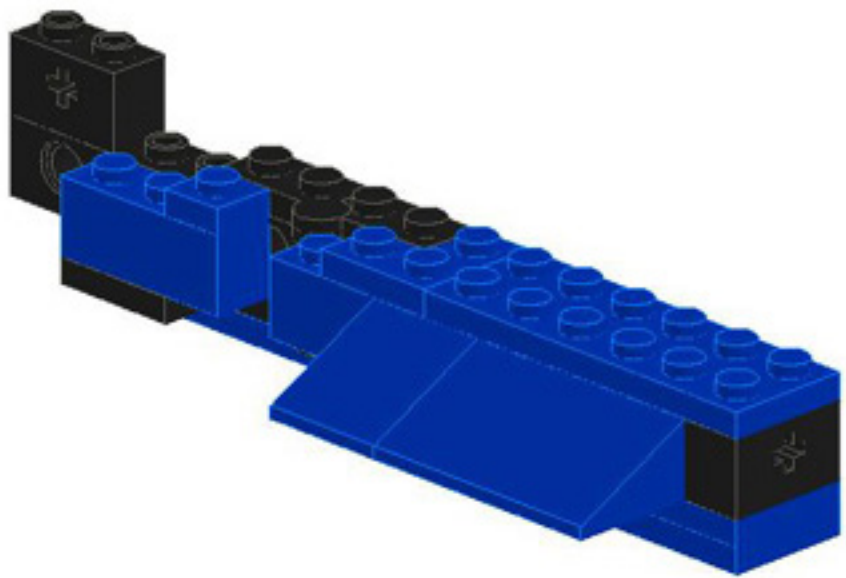
17



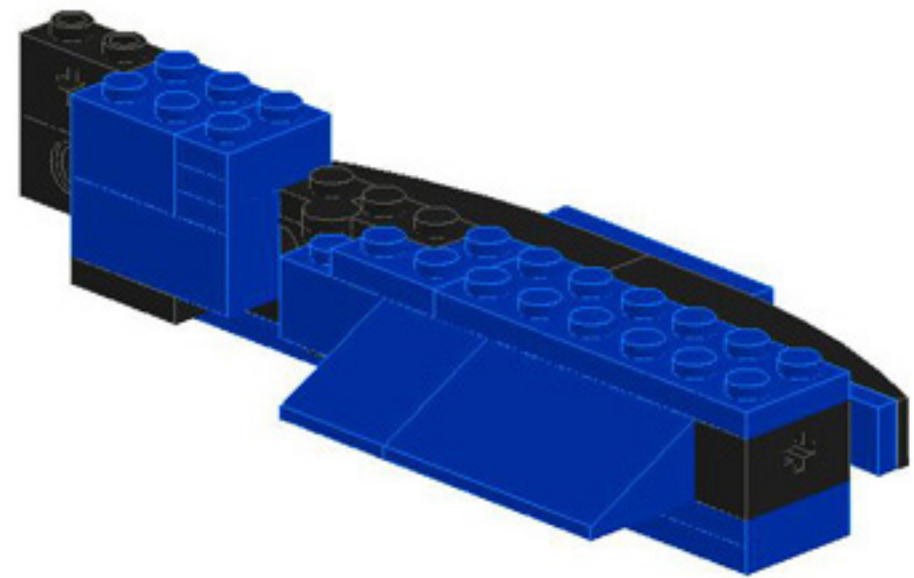
20



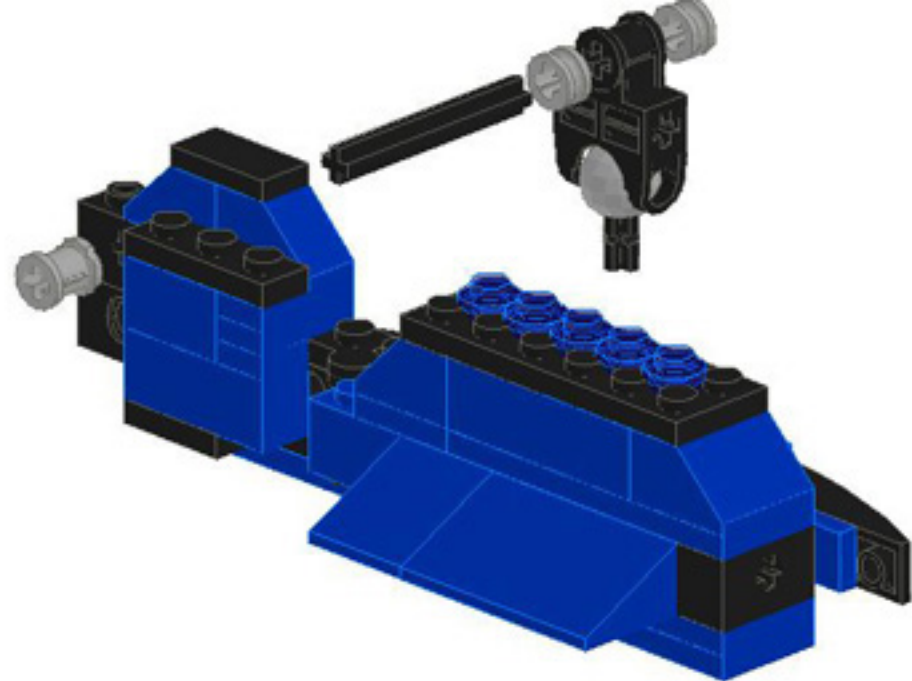
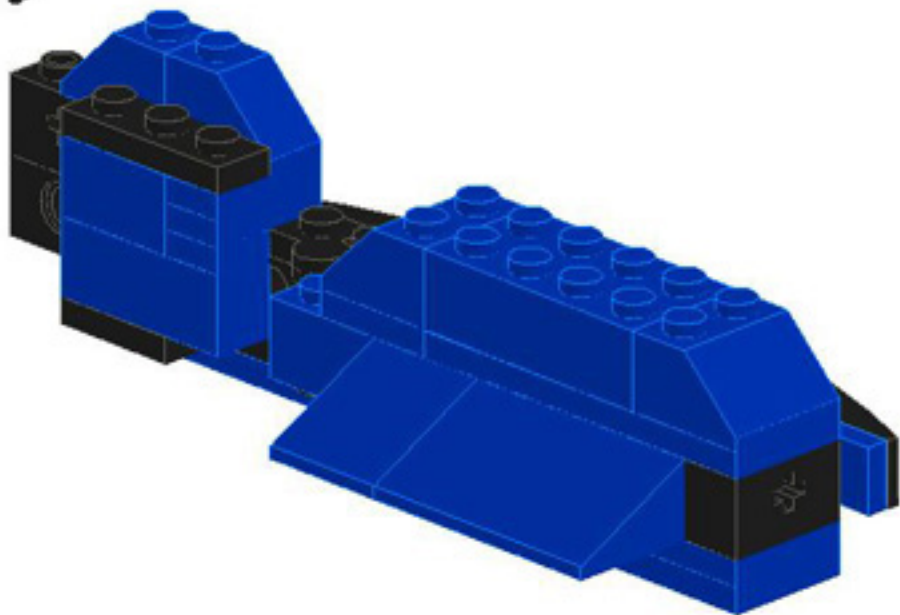
21



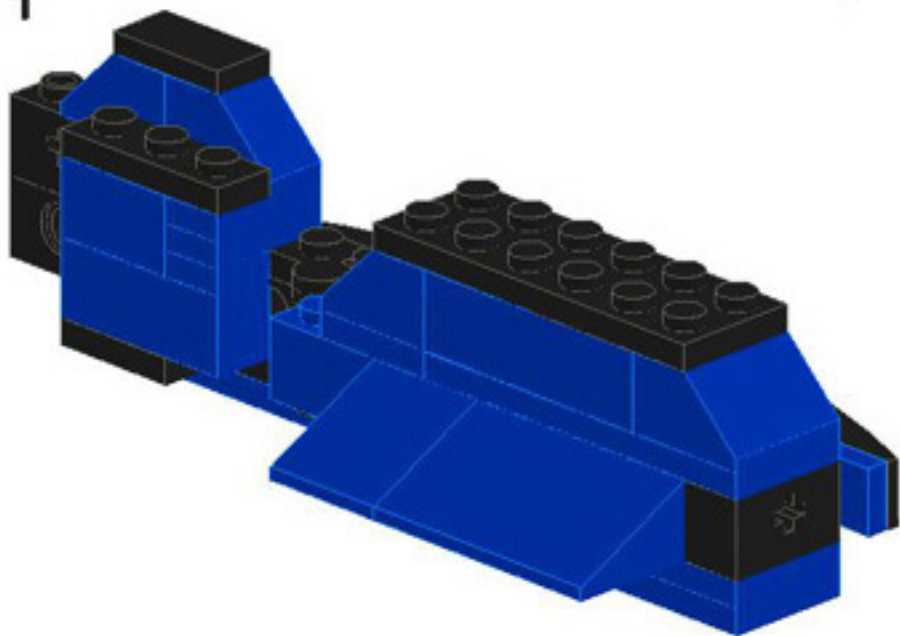
22



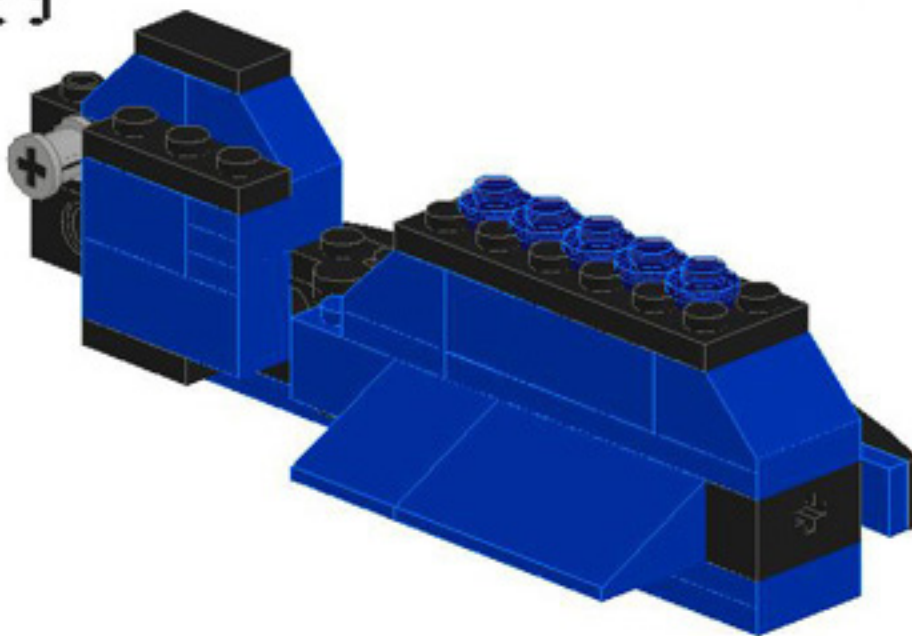
23



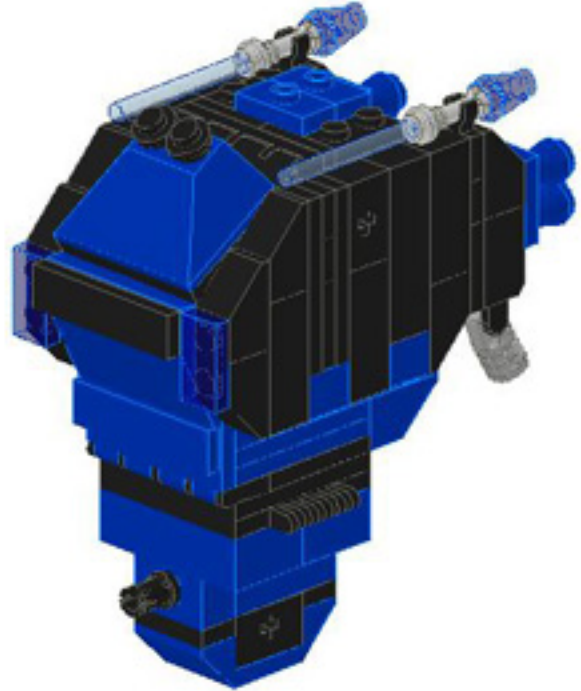
24



25



26



27



28



29



30



31



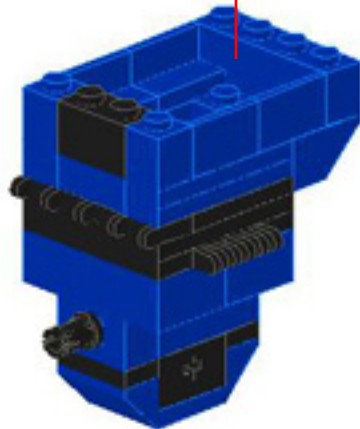
32



33

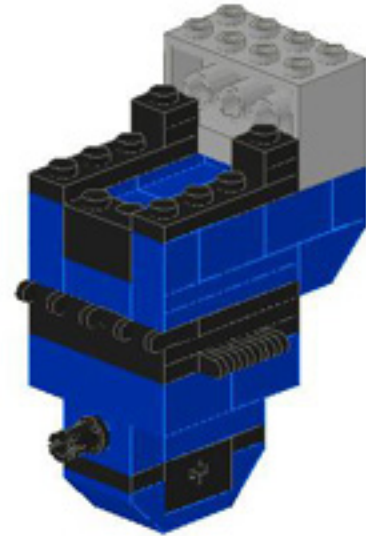


34

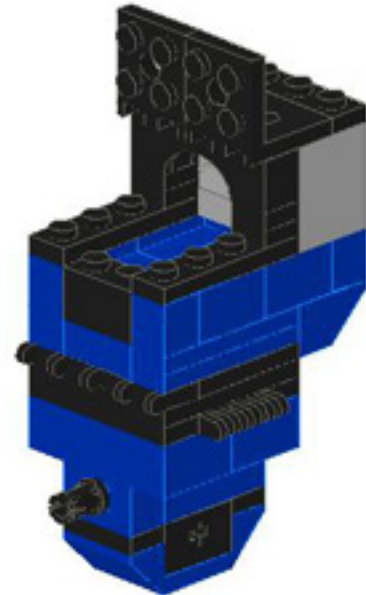


If you want a pilot in the mecha, put him in here at this step as you will have to build around him.

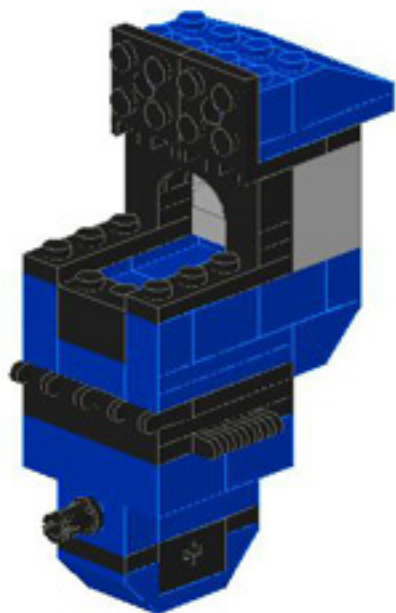
35



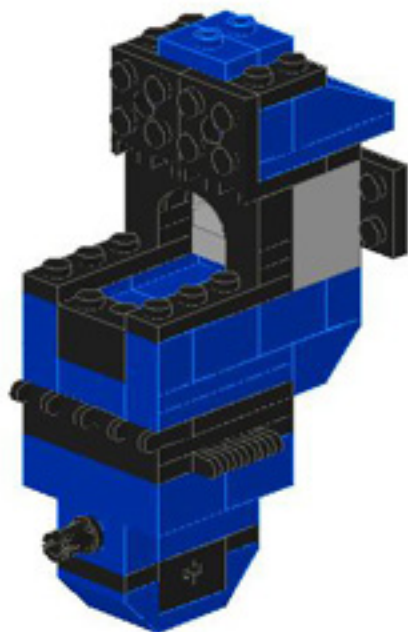
36



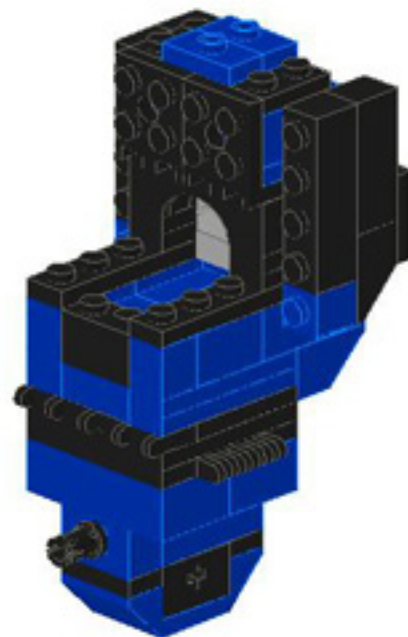
37



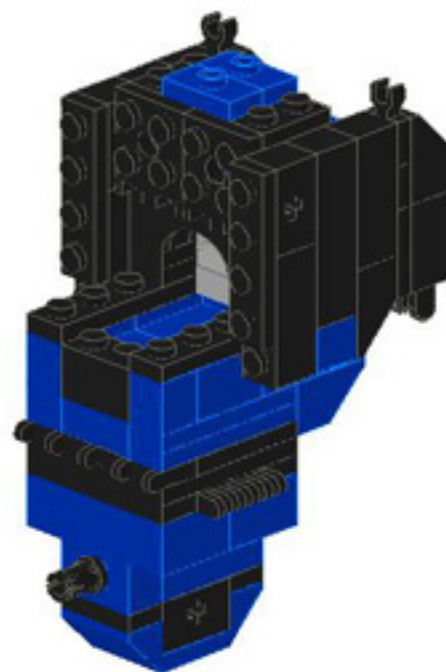
38



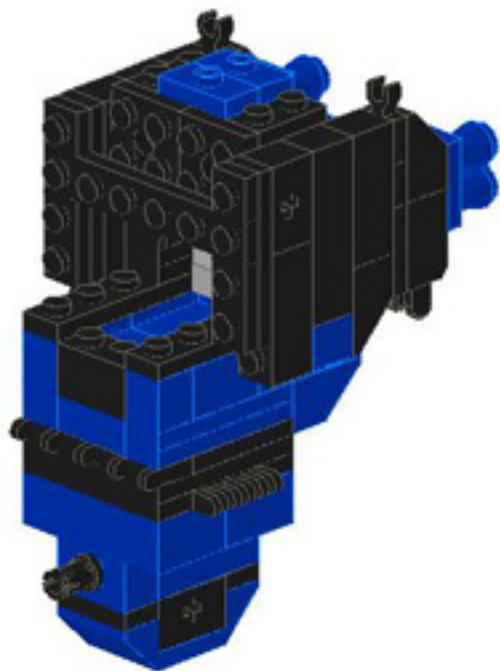
39



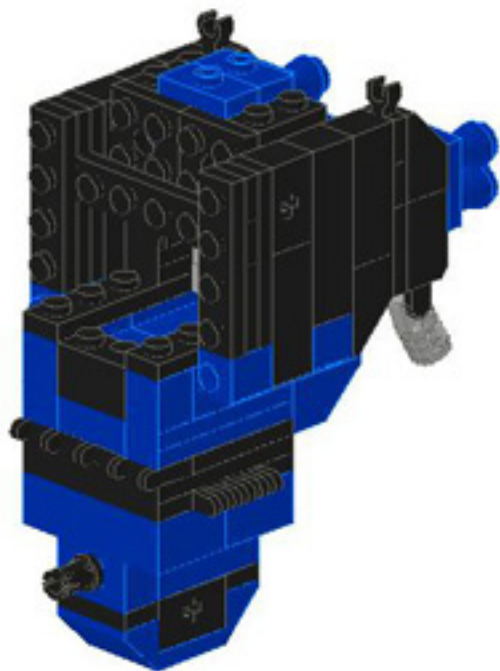
40



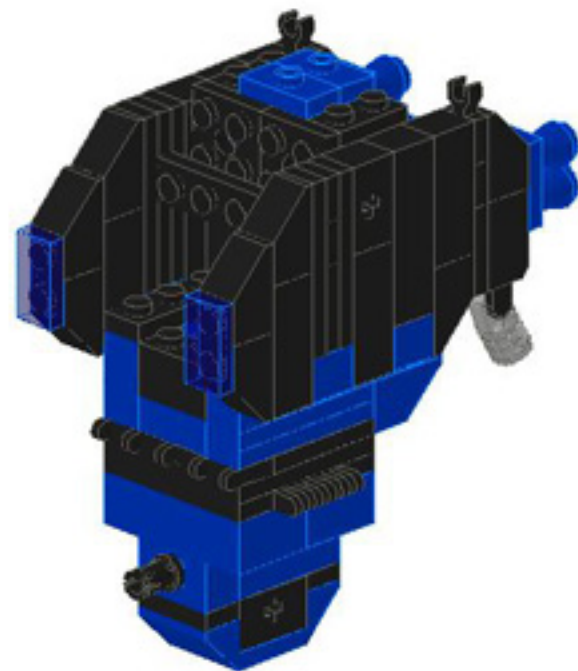
41



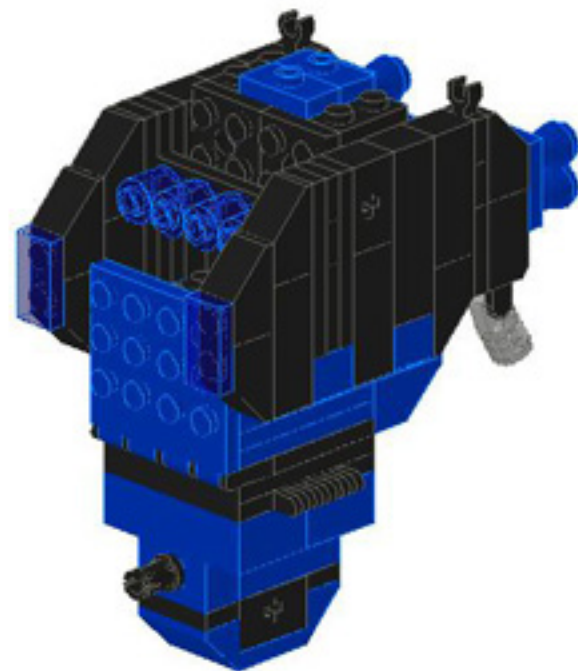
42



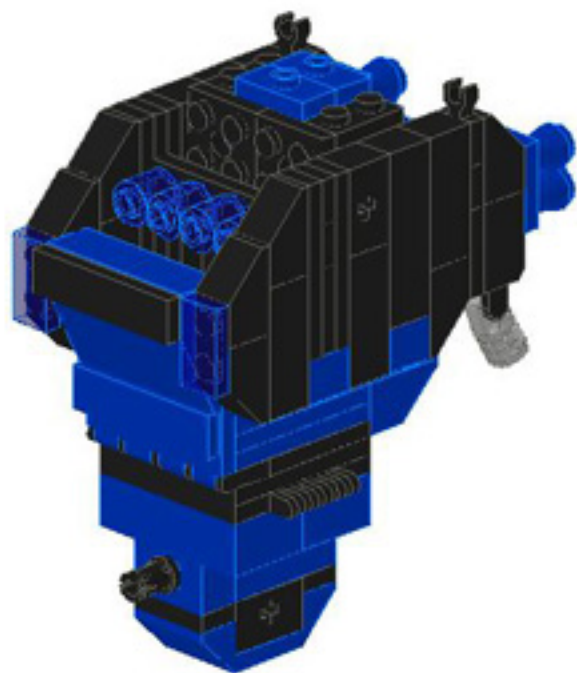
43



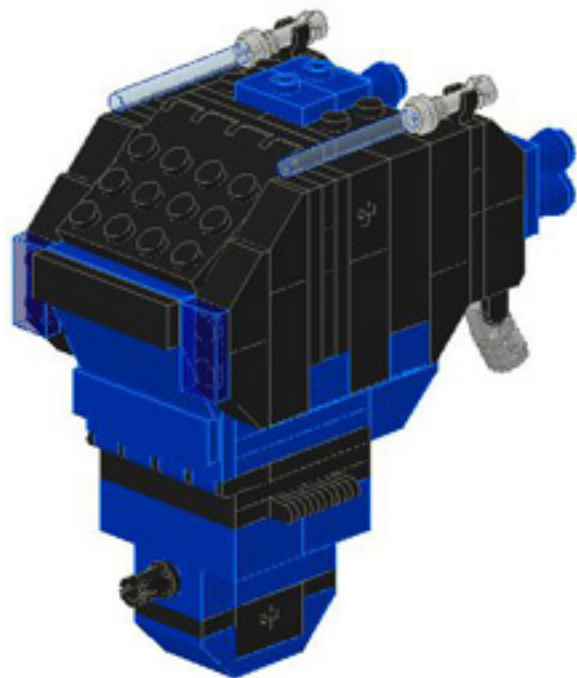
44



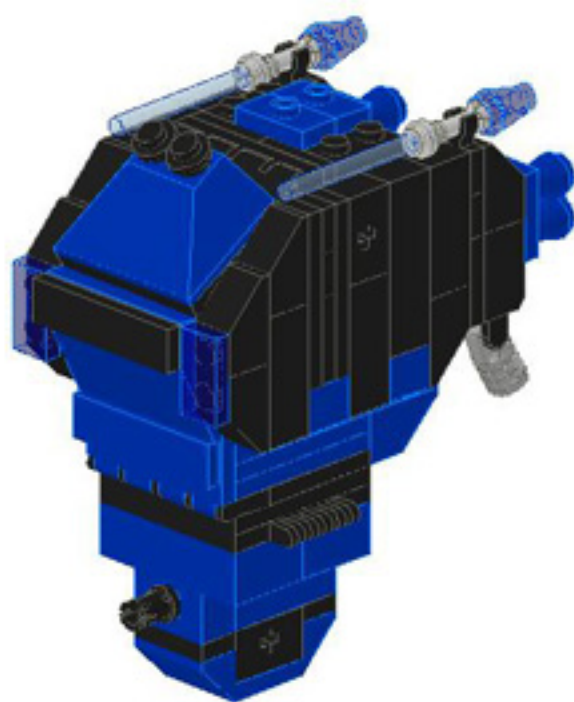
45



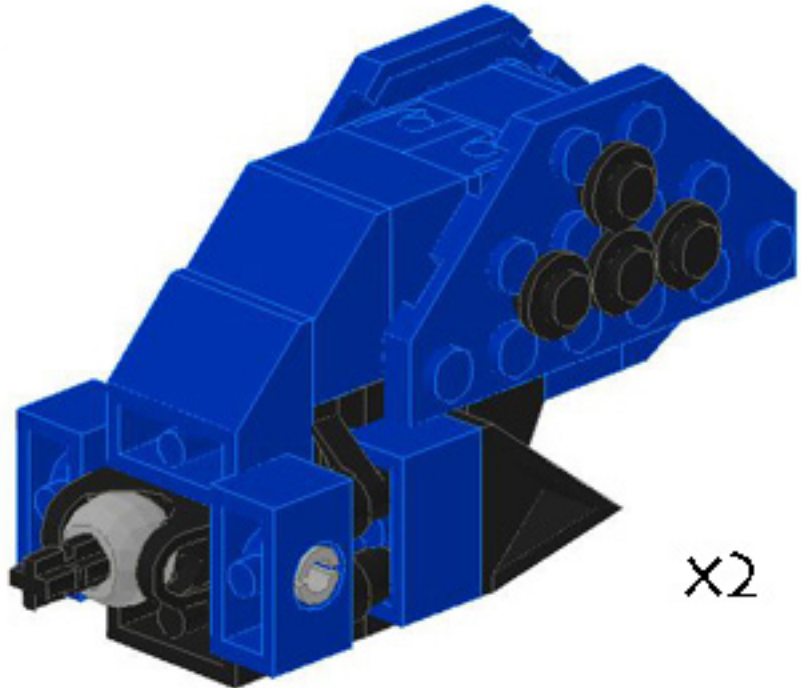
46



47



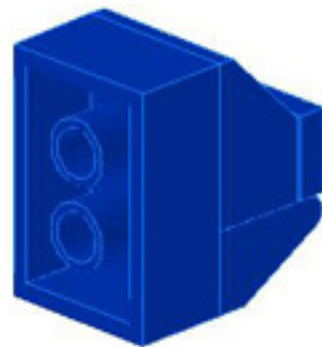
48



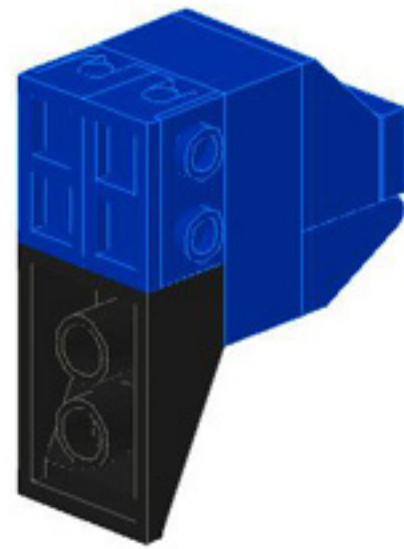
x2



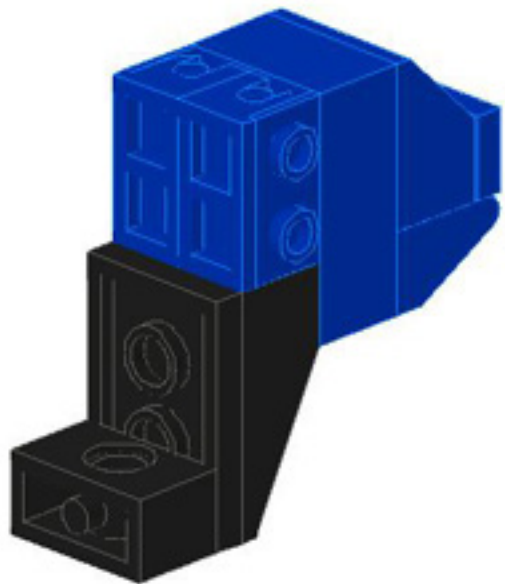
49



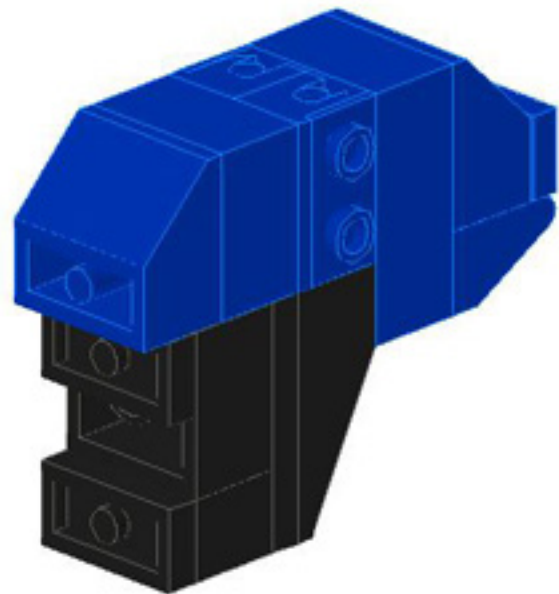
50



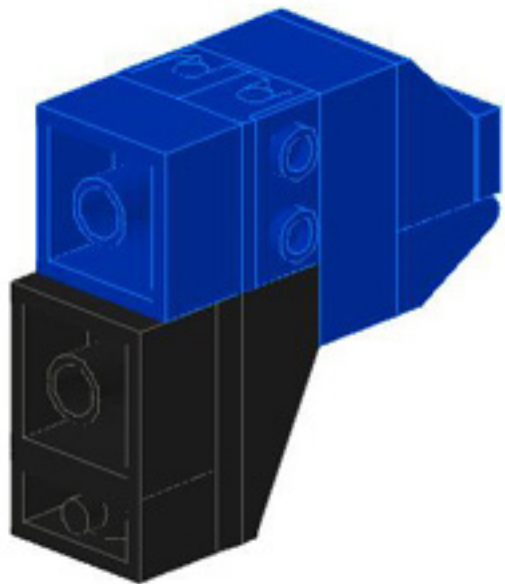
51



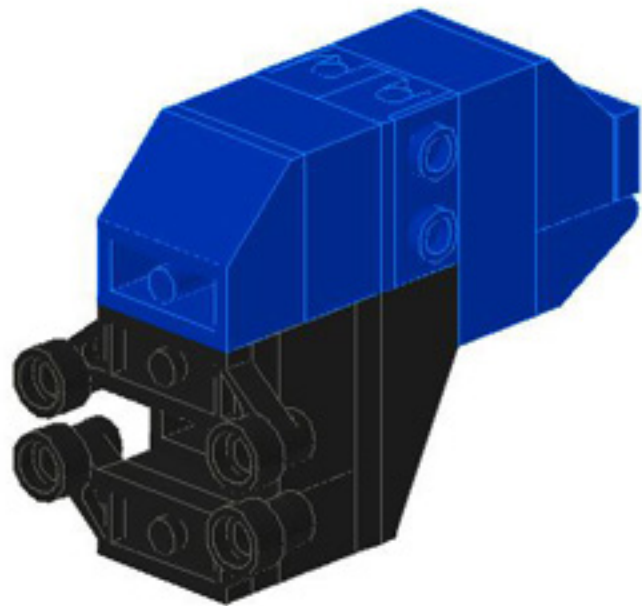
53



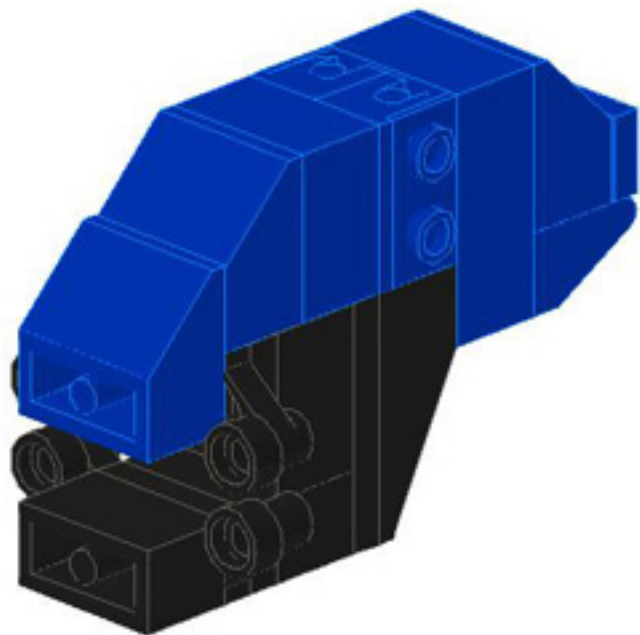
52



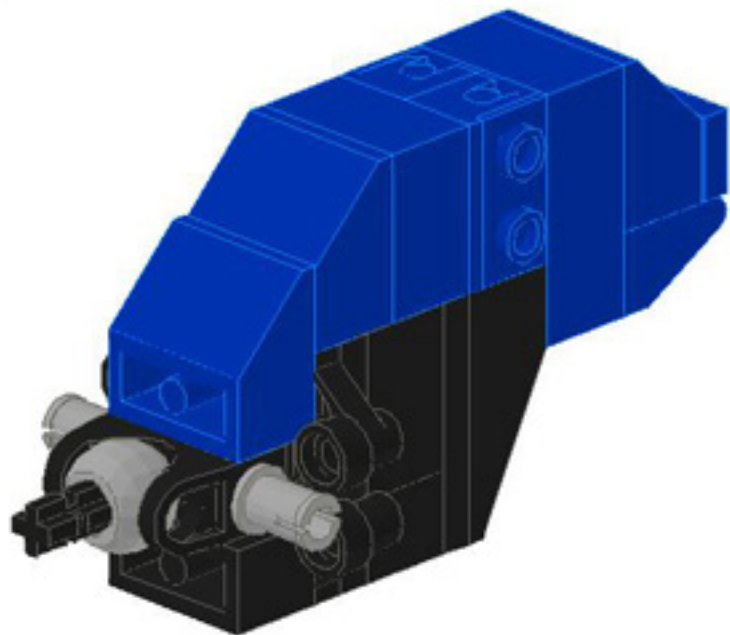
54



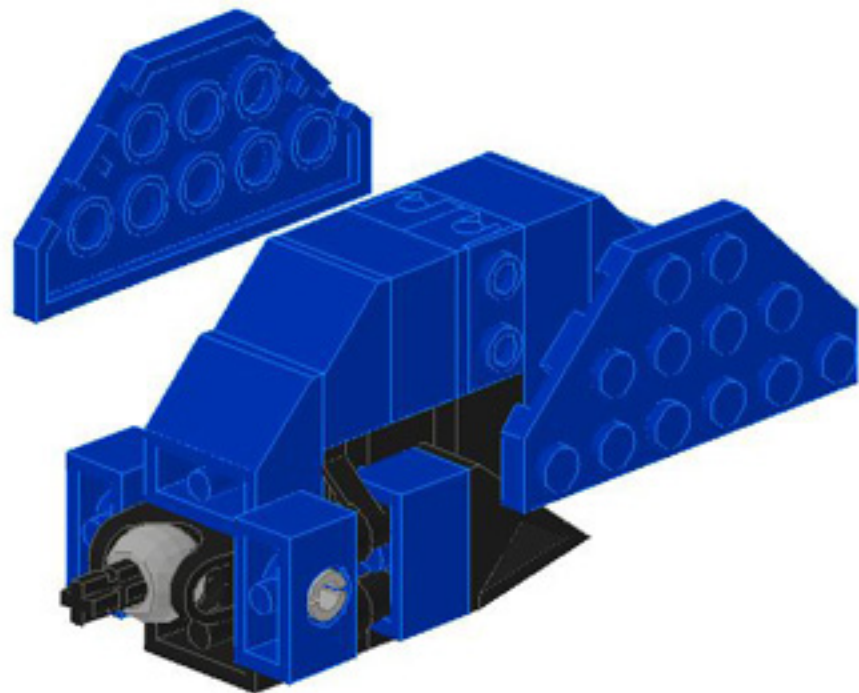
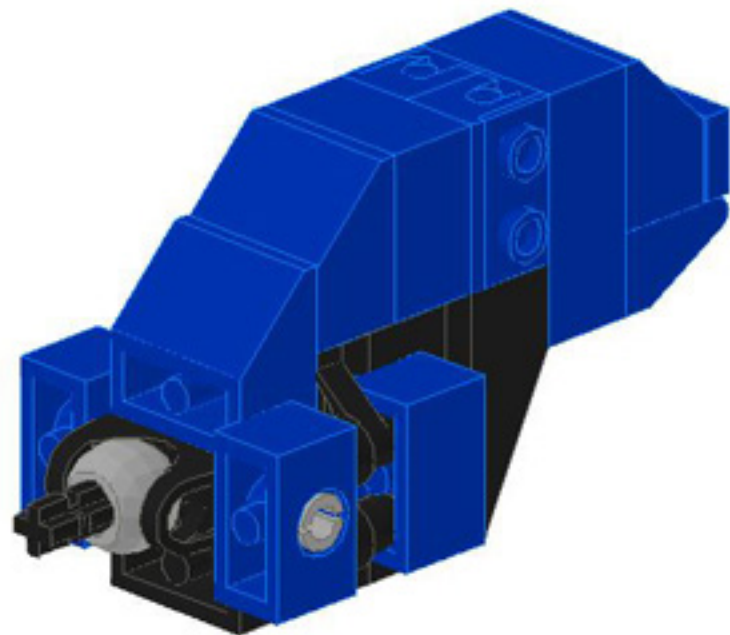
55



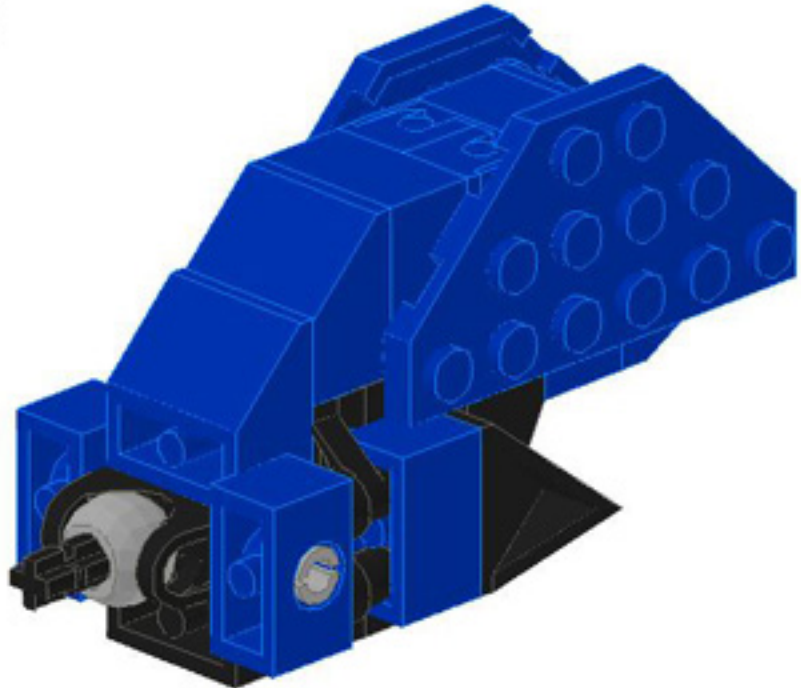
56



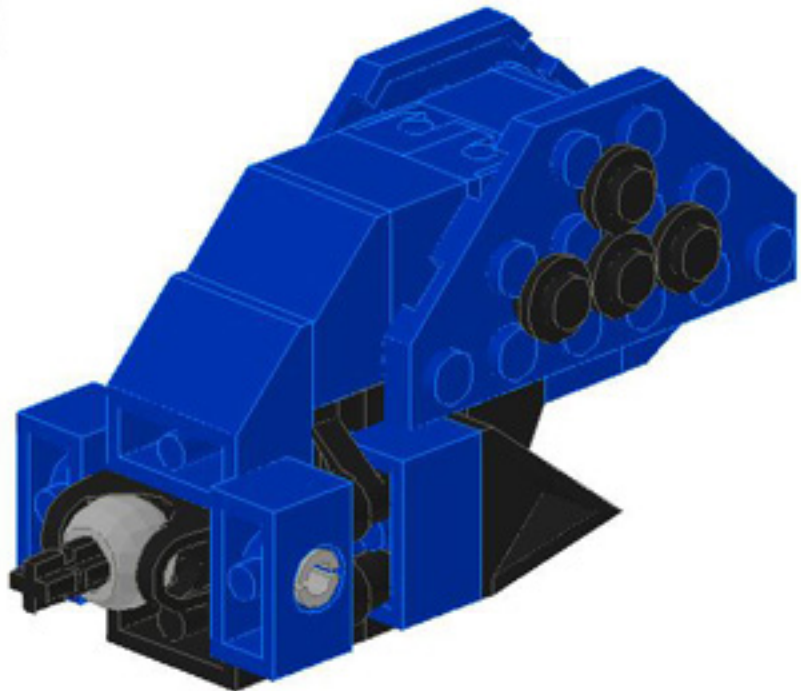
57

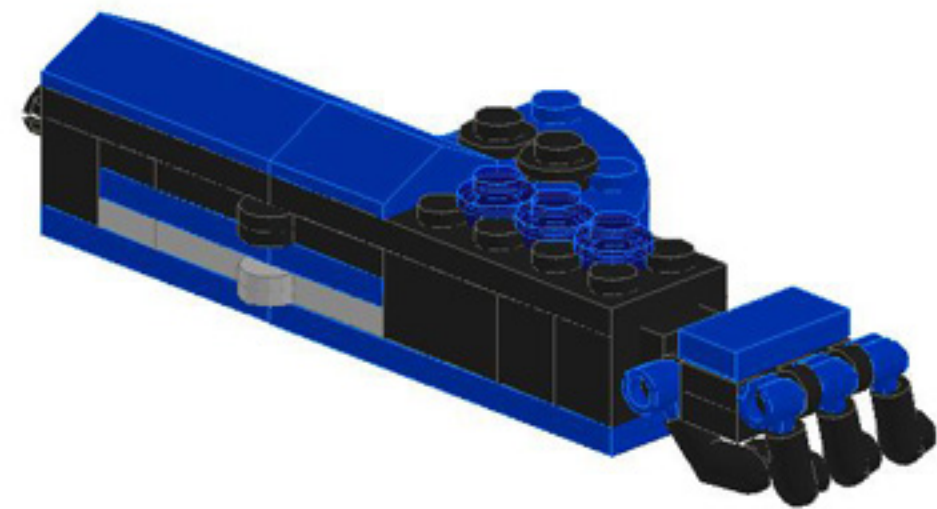


58

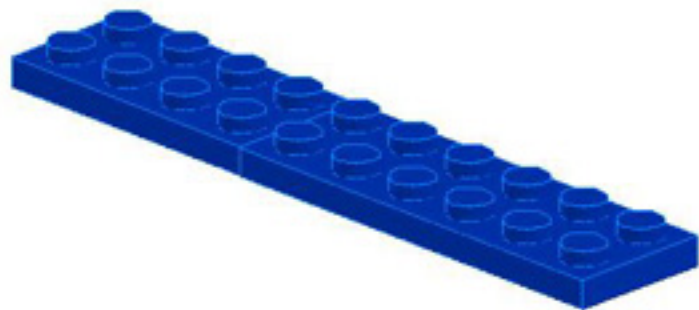


59

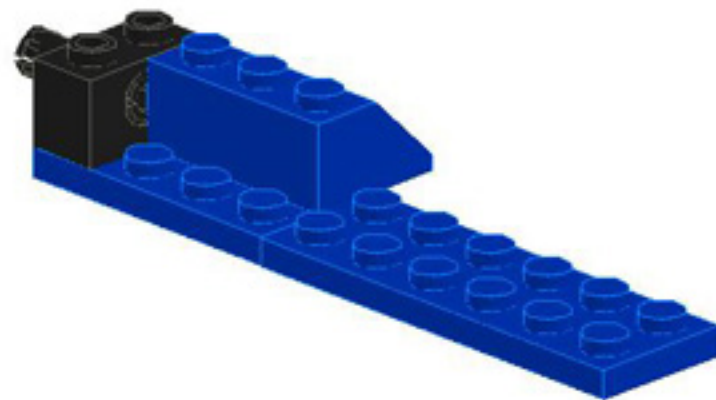




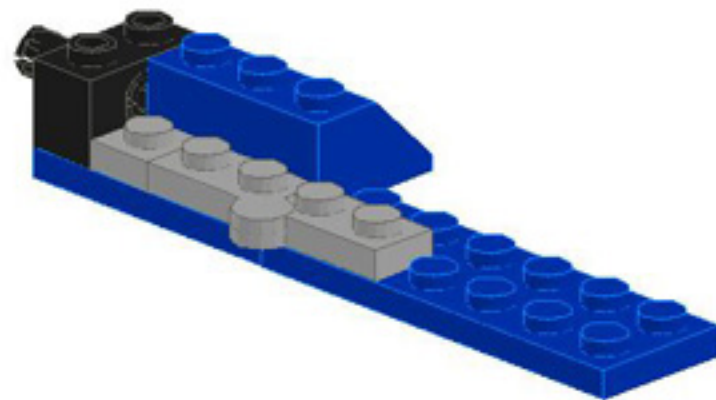
60



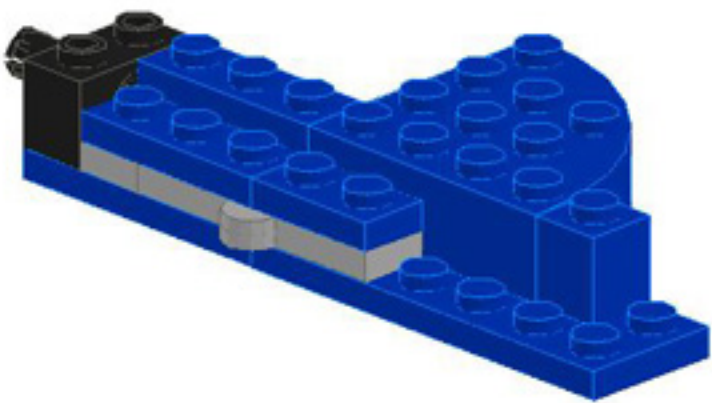
61



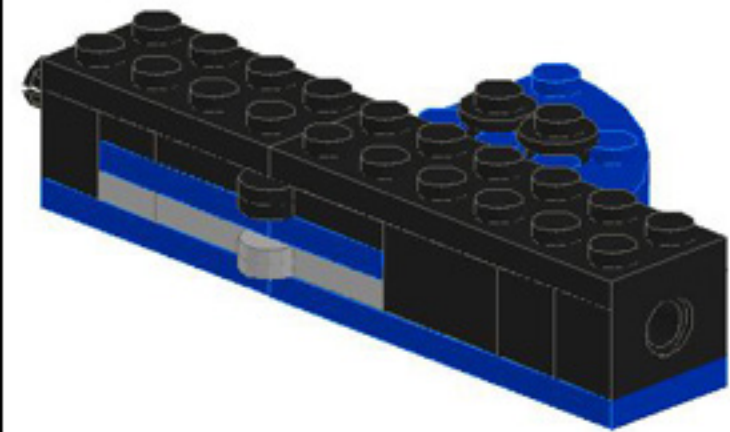
62



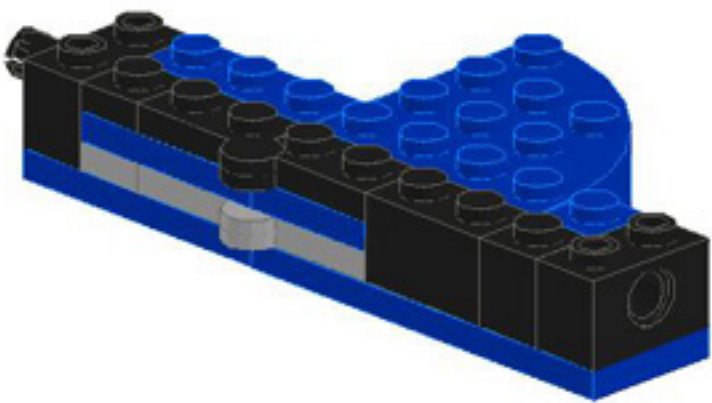
63



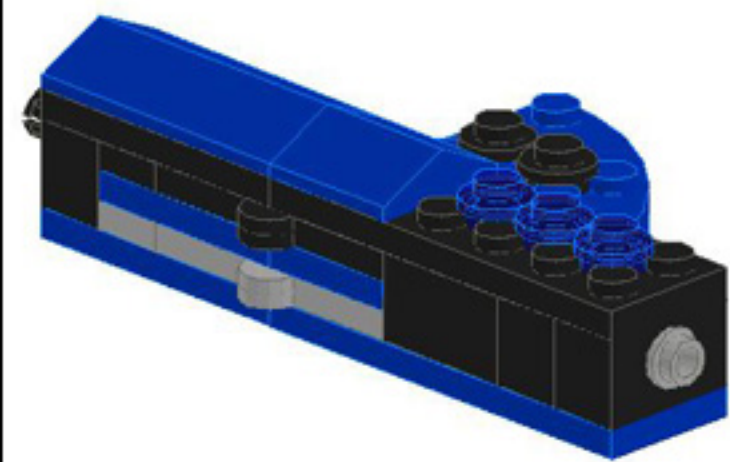
65



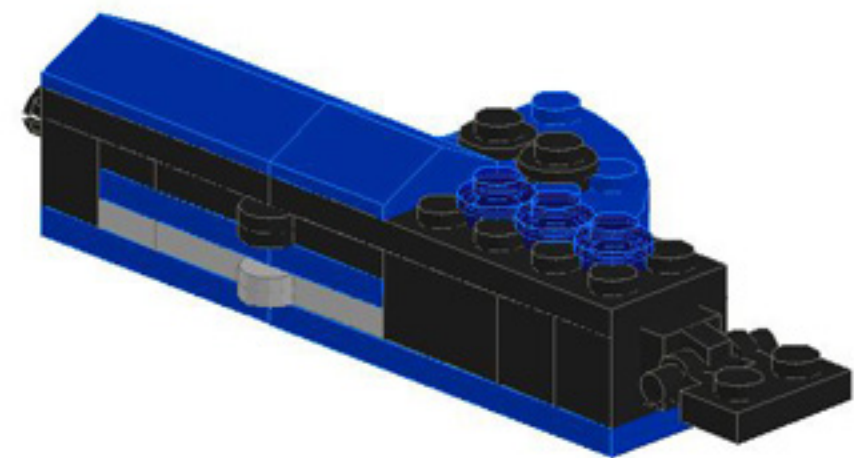
64



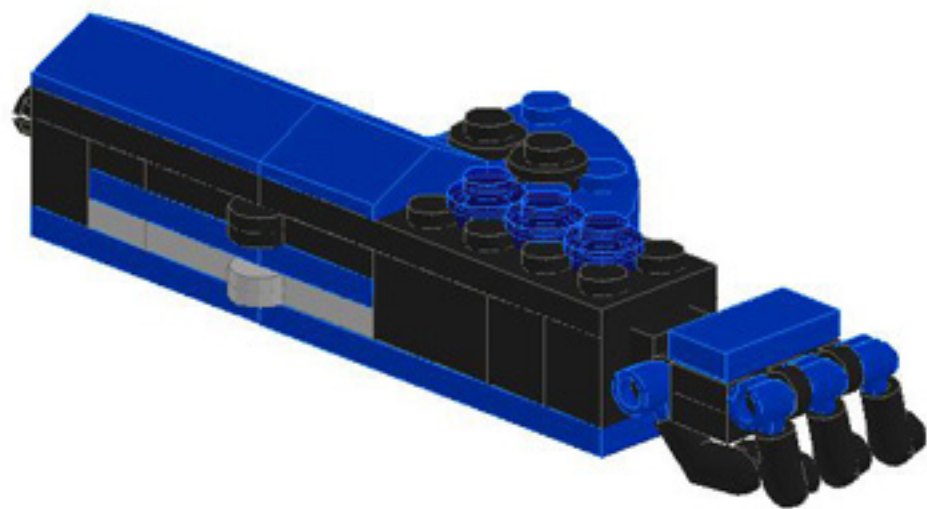
66



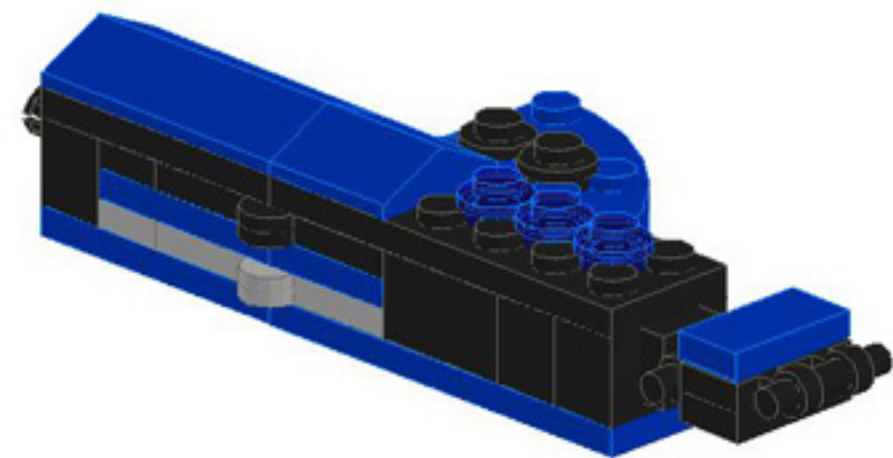
67



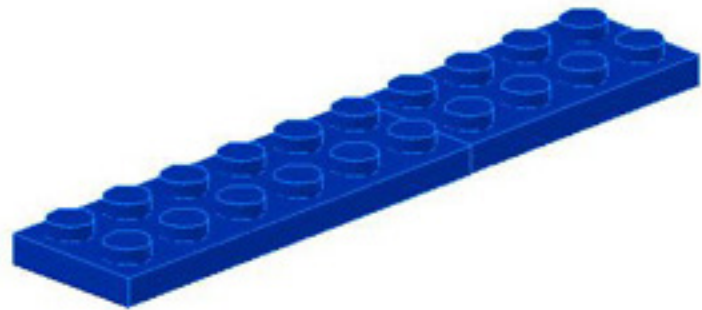
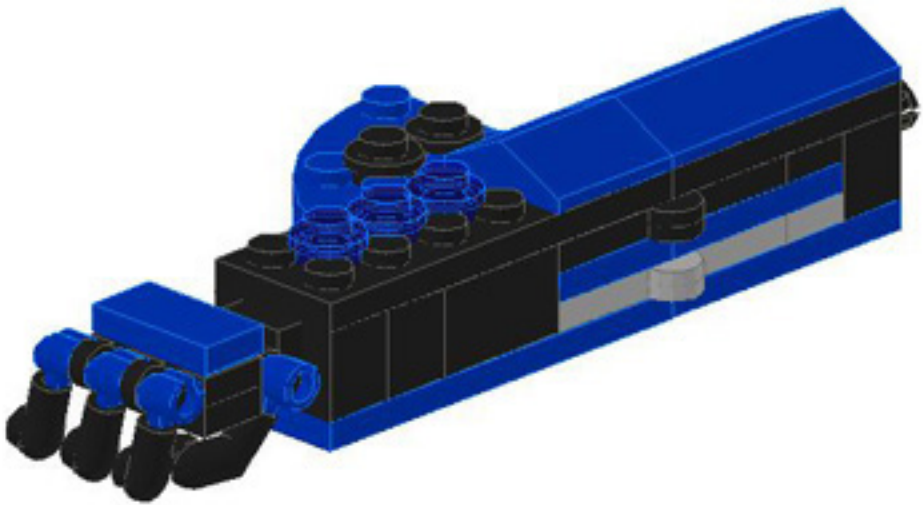
69



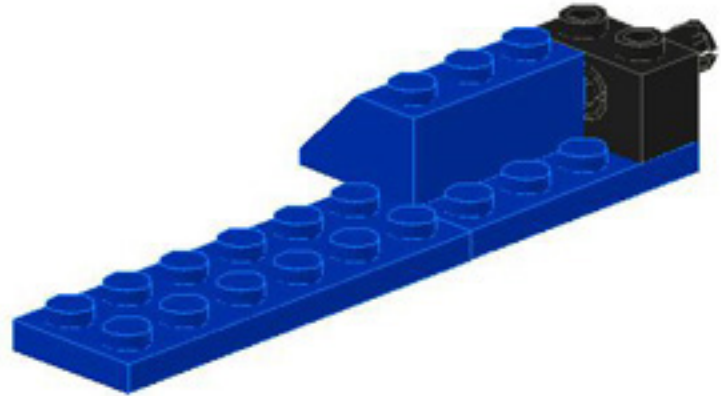
68



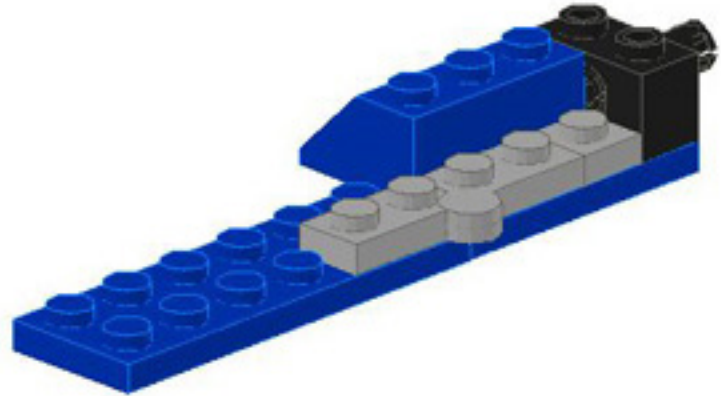
70



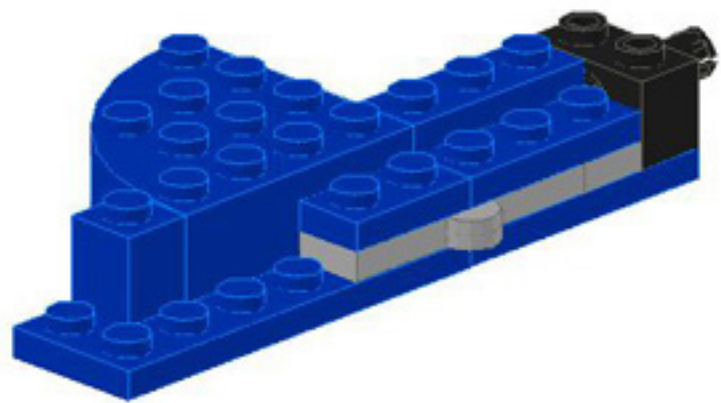
71



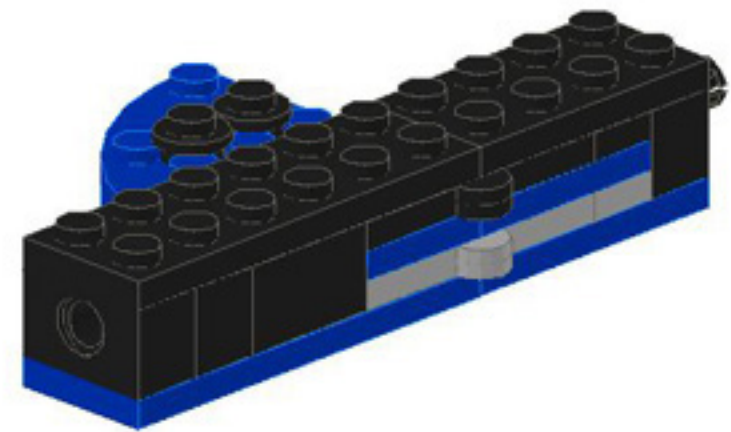
72



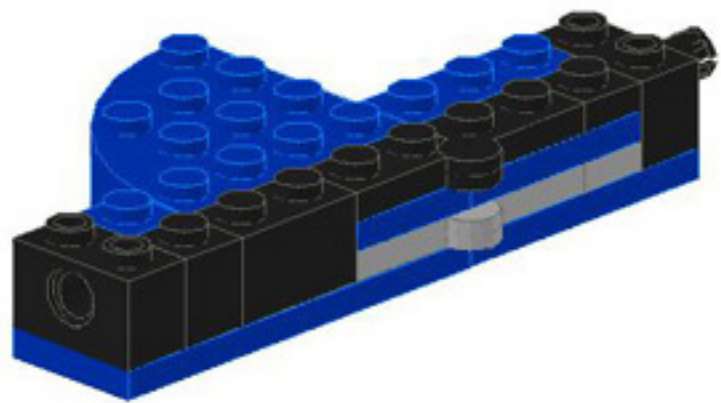
73



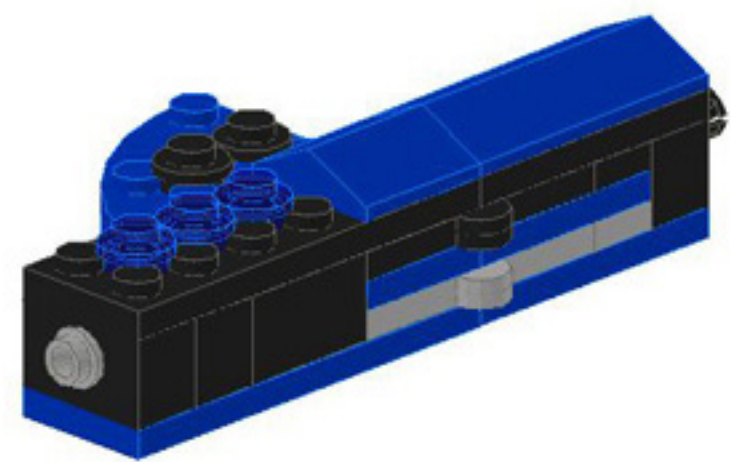
75



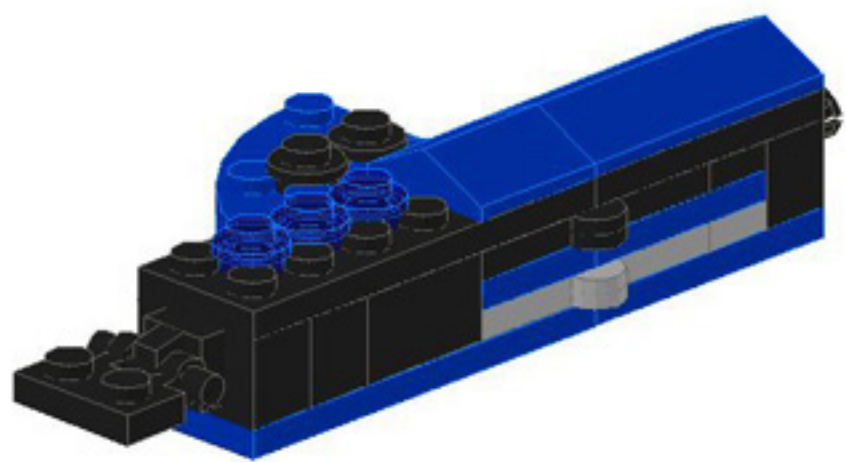
74



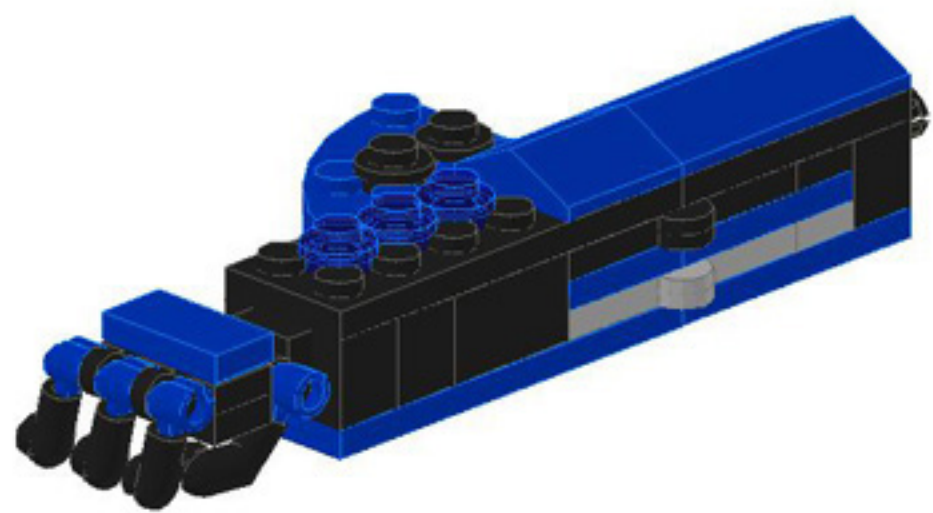
76



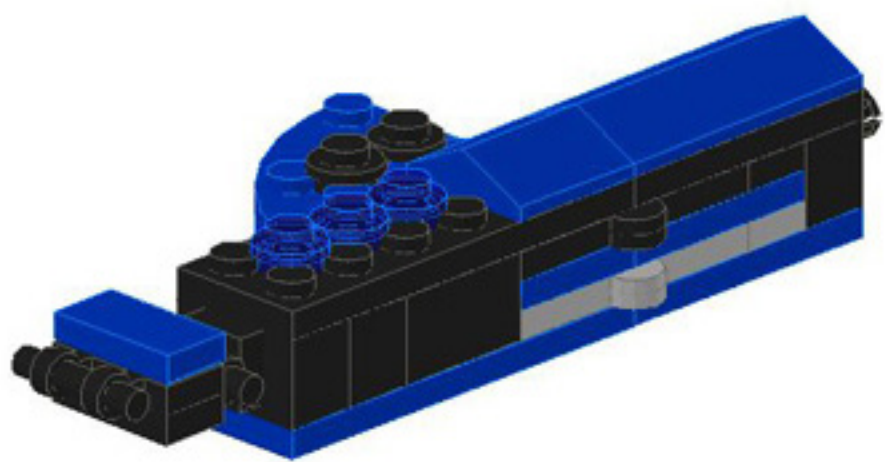
77



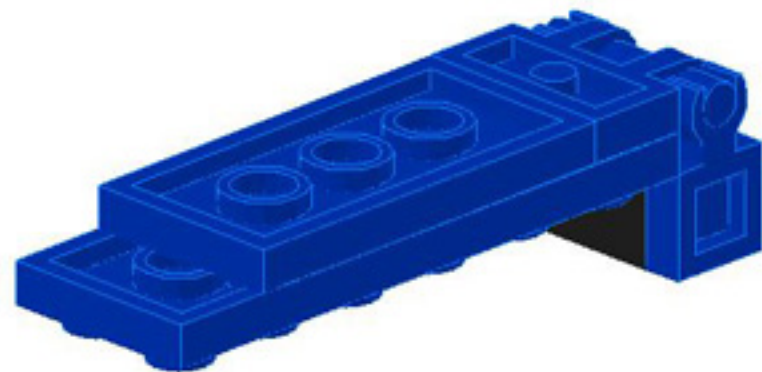
79



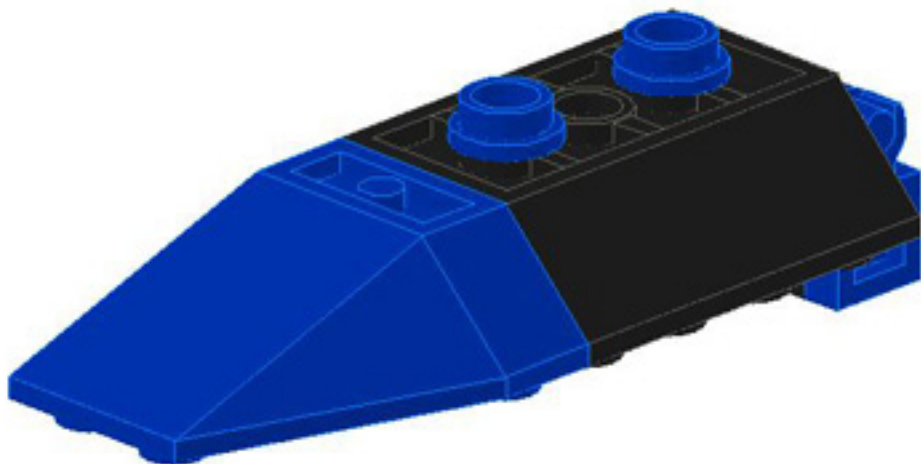
78



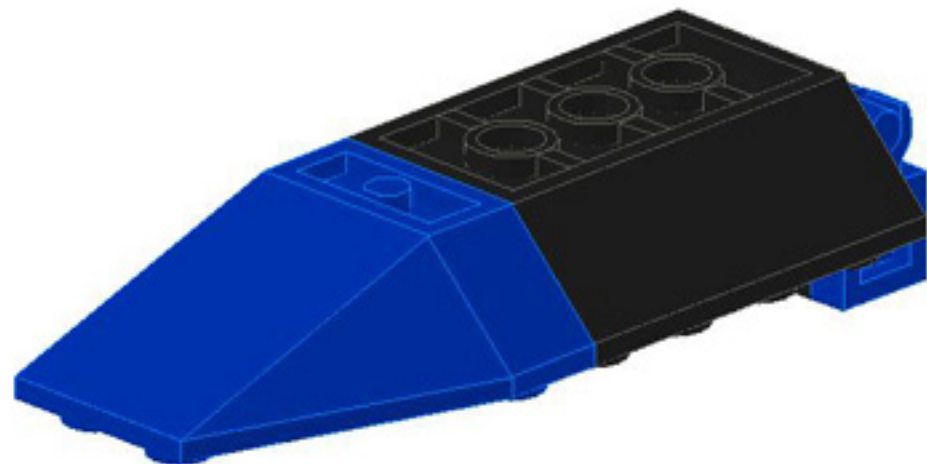
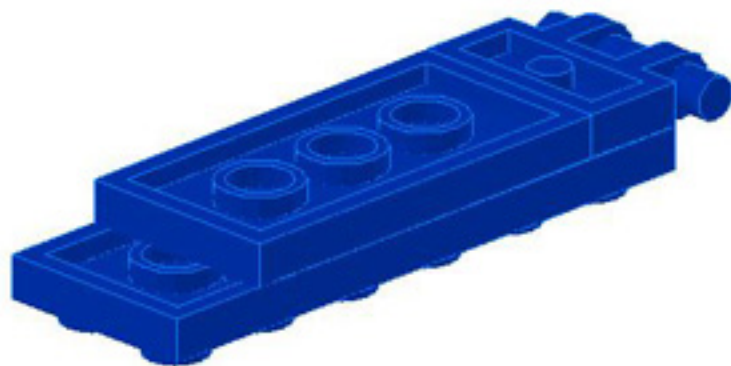
81

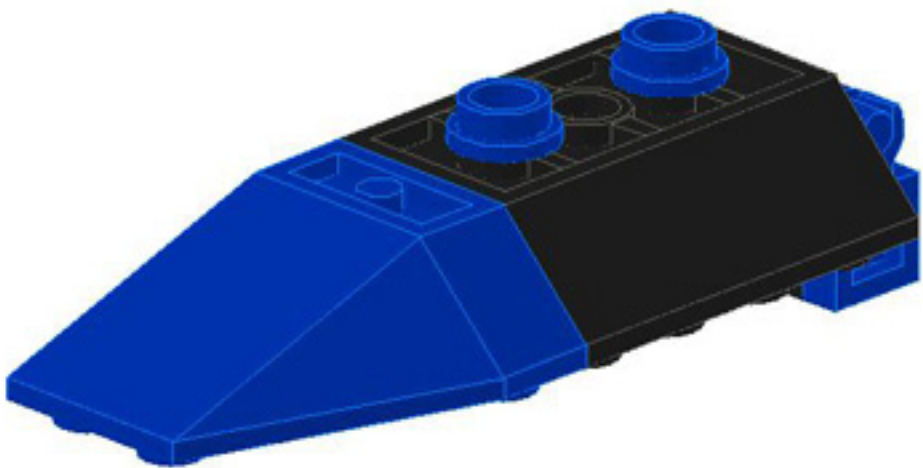


80



82





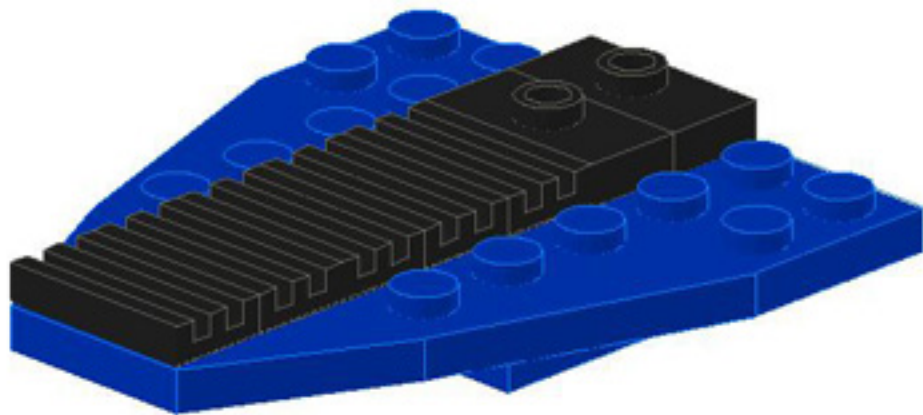
85

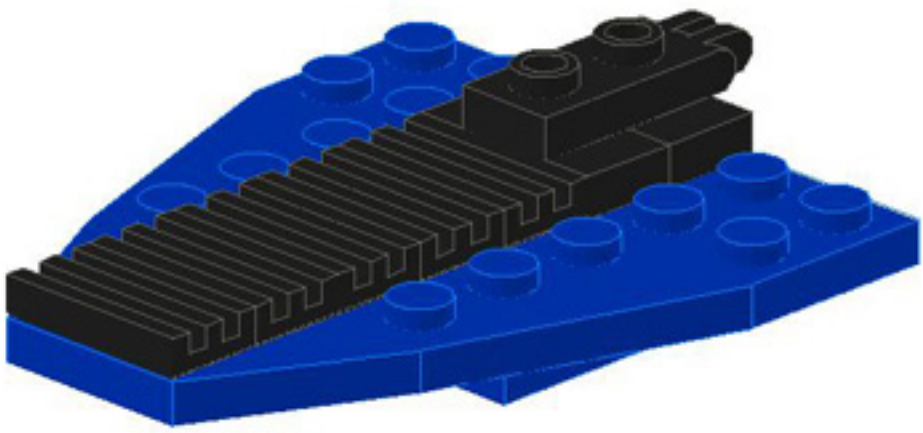


84

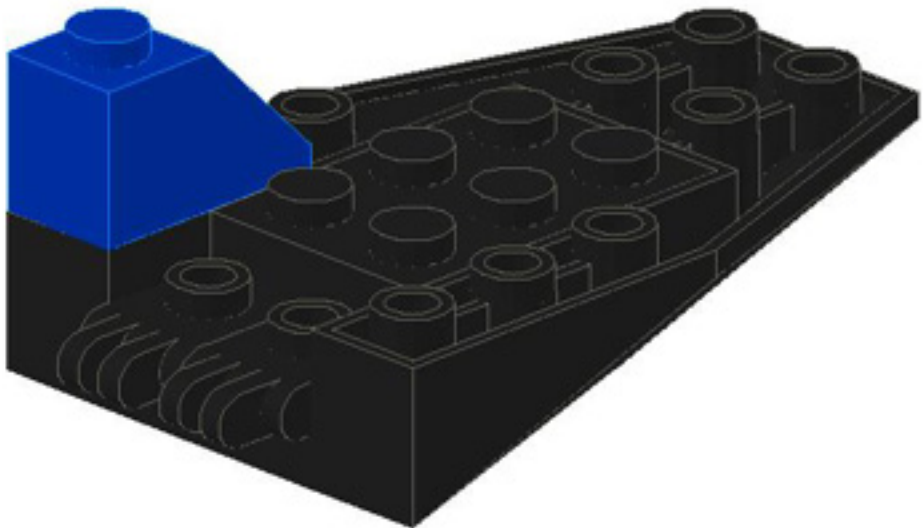


86

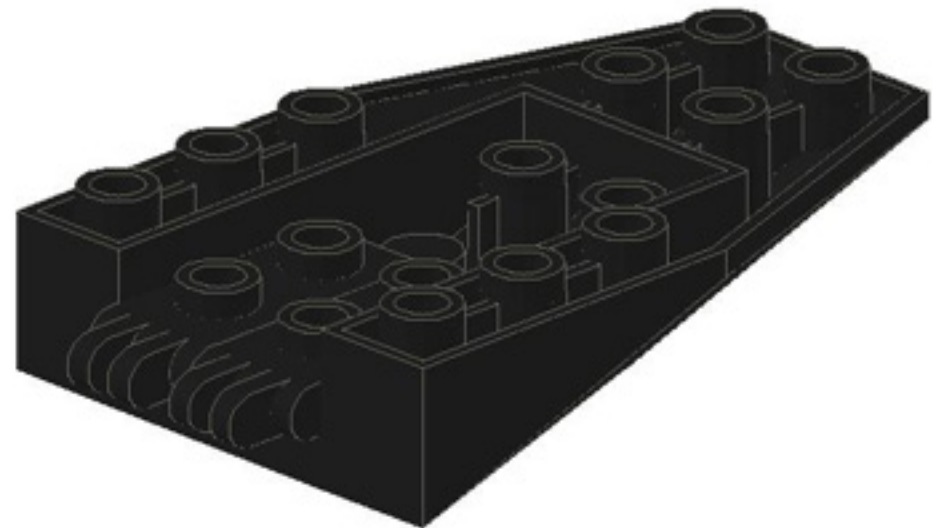




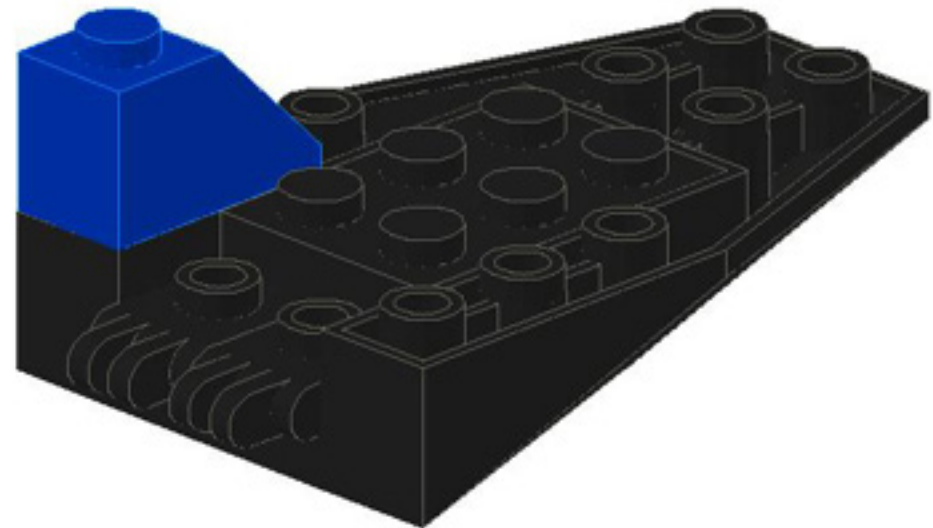
88



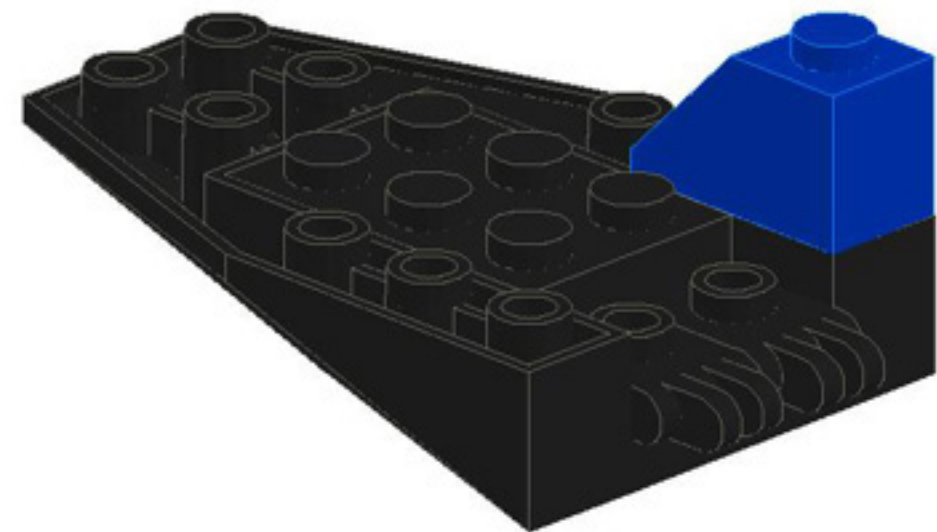
89



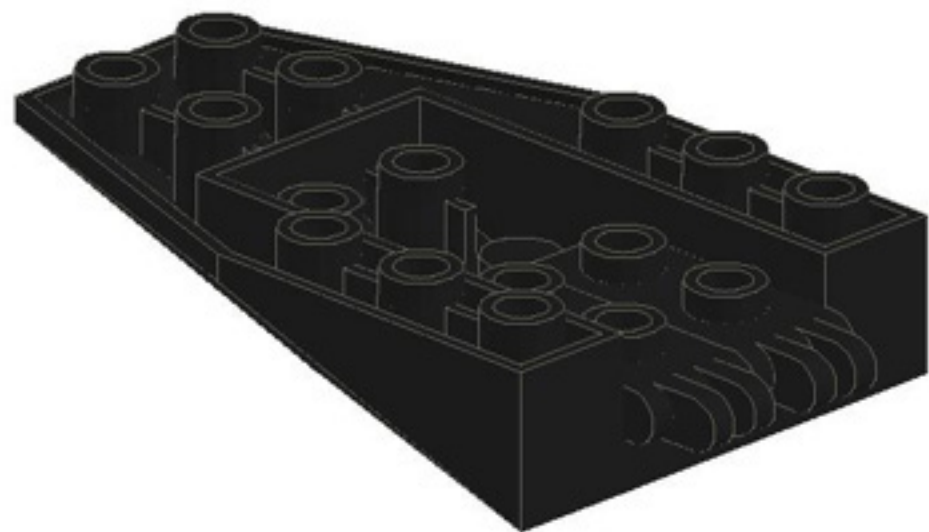
90



90



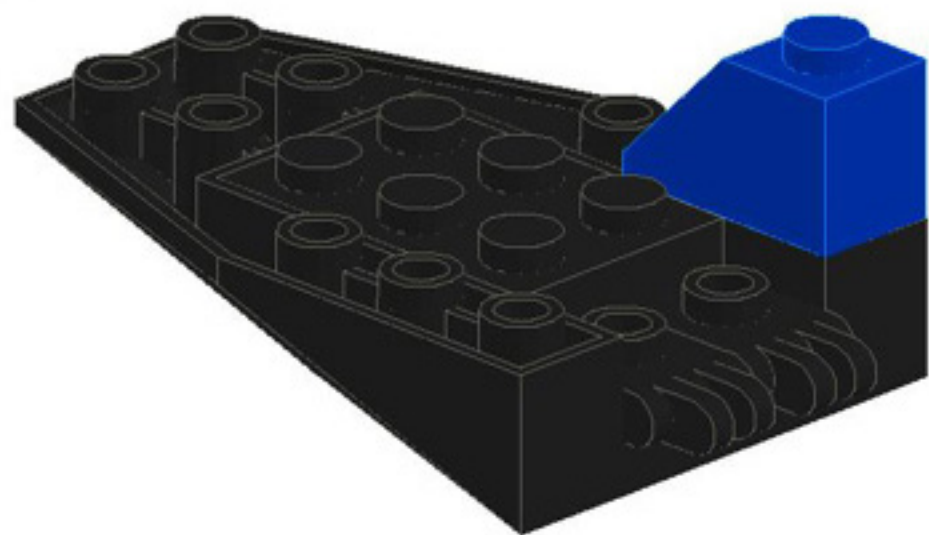
92



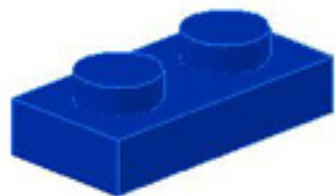
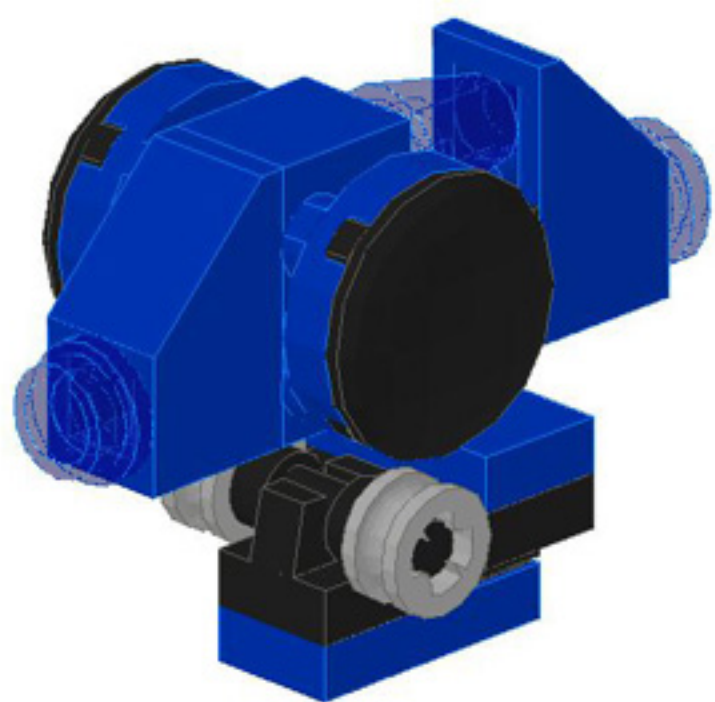
91



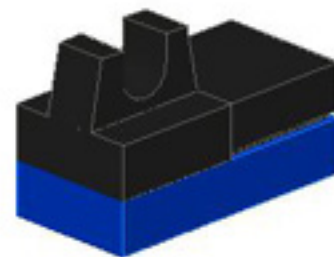
93



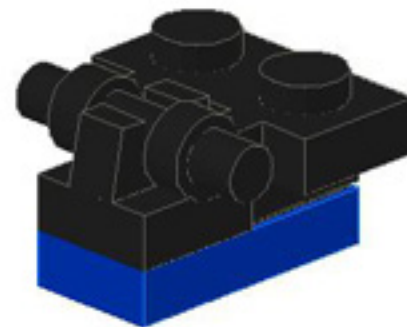
94



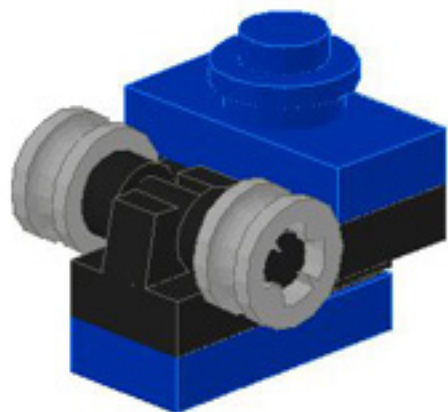
95



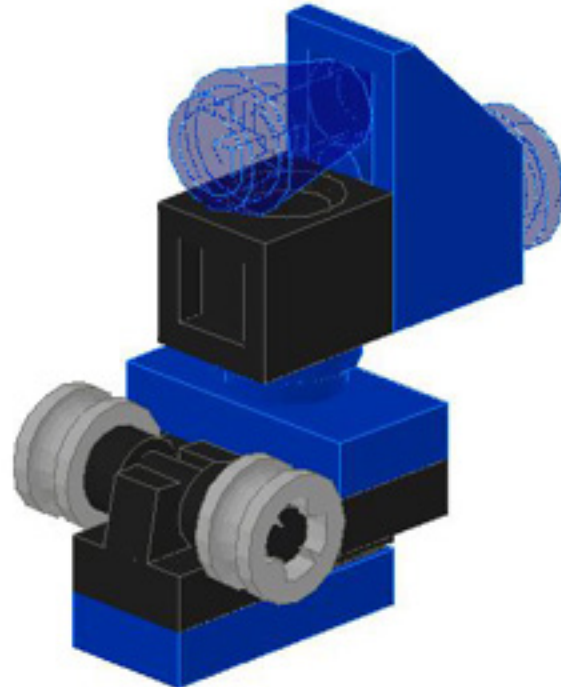
96



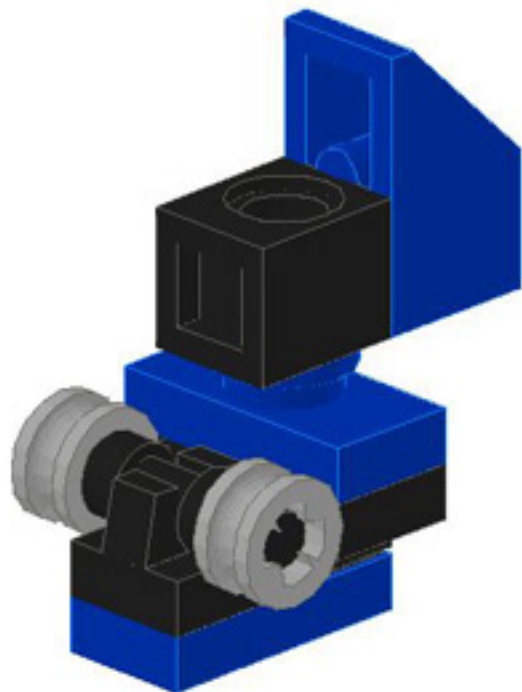
97



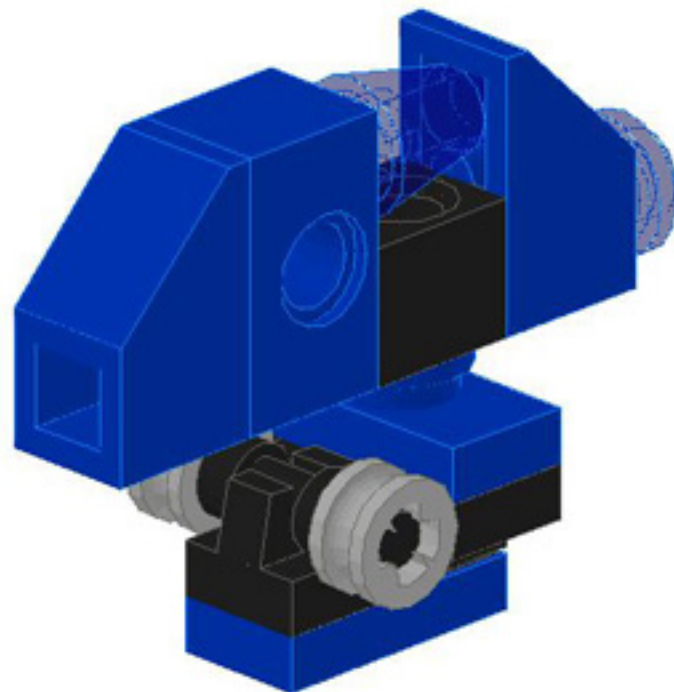
99



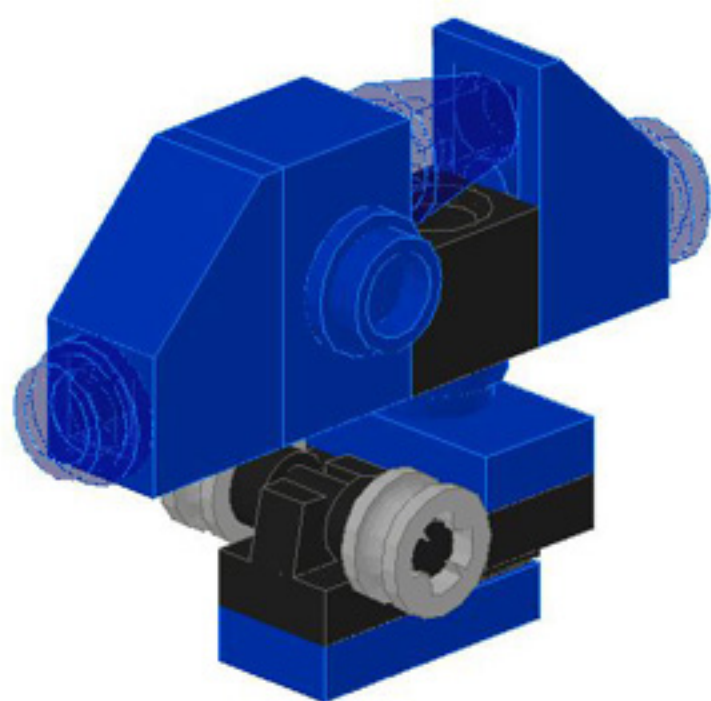
98



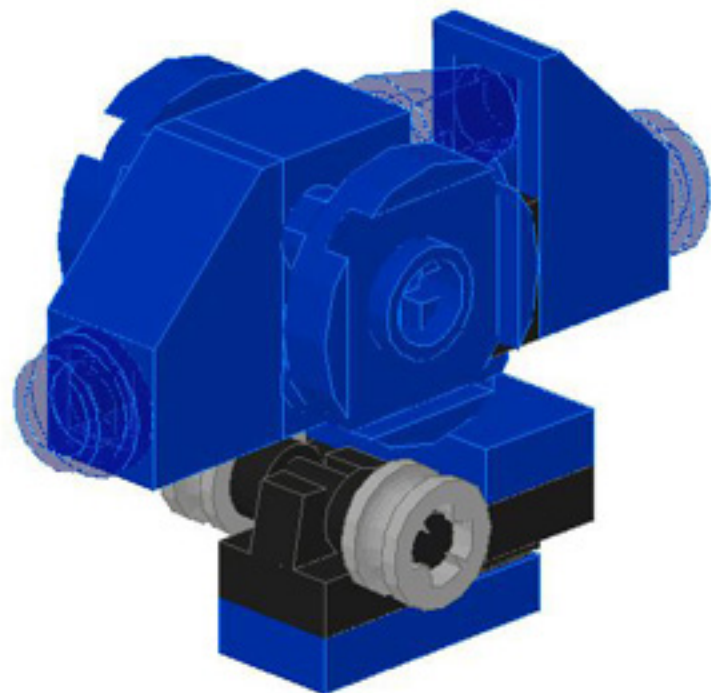
100



101



102



103

