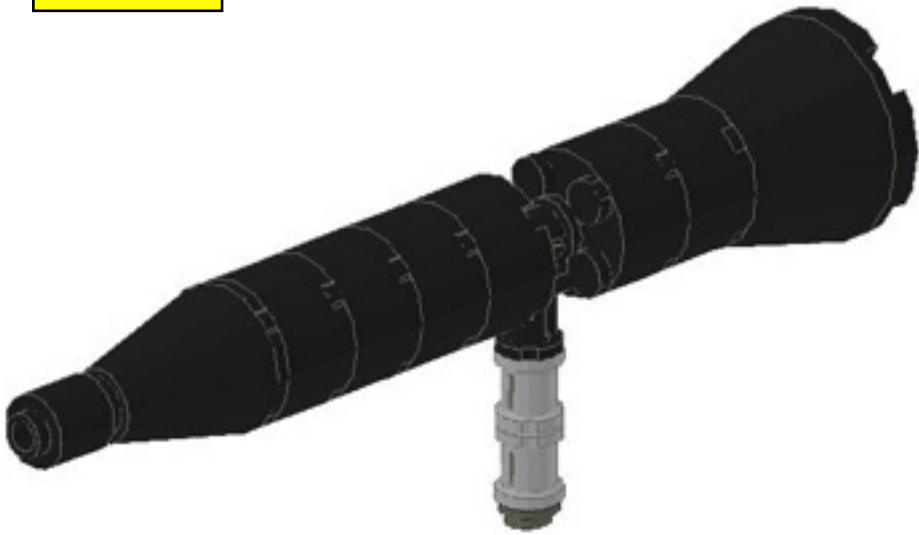


VF-1A Weapons



1



2



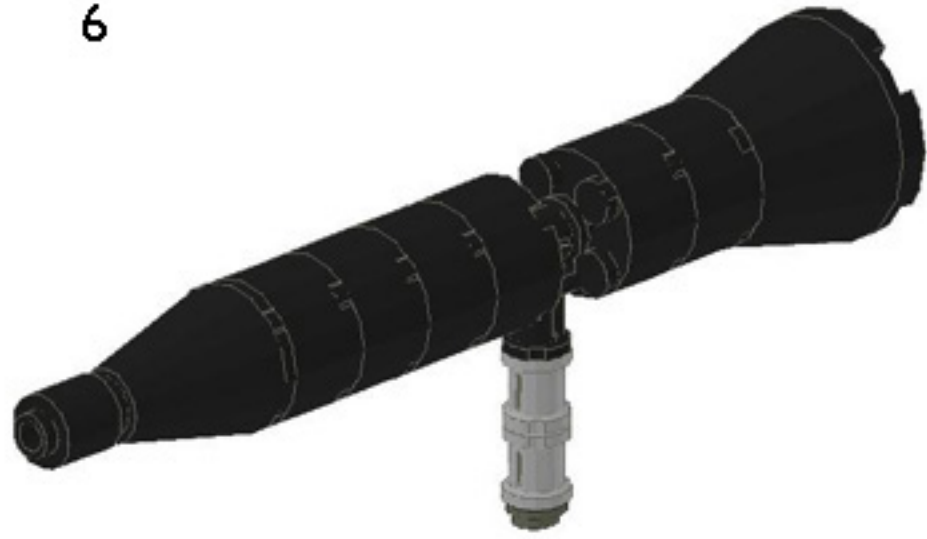
3



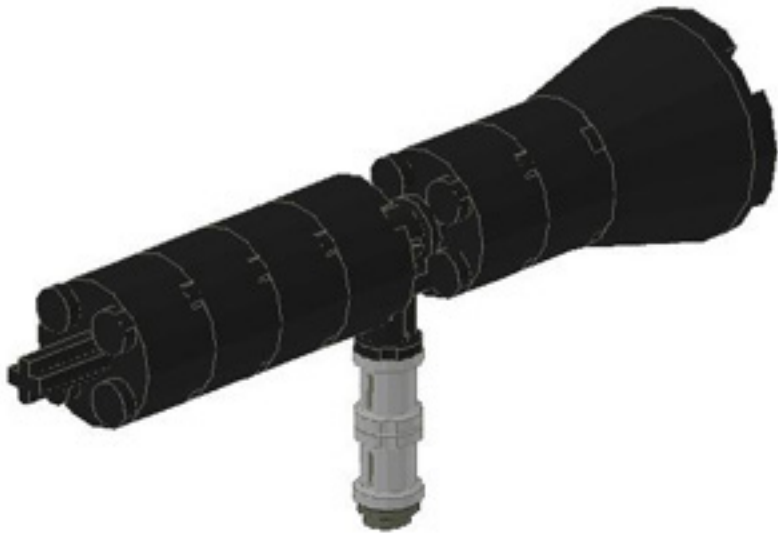
4

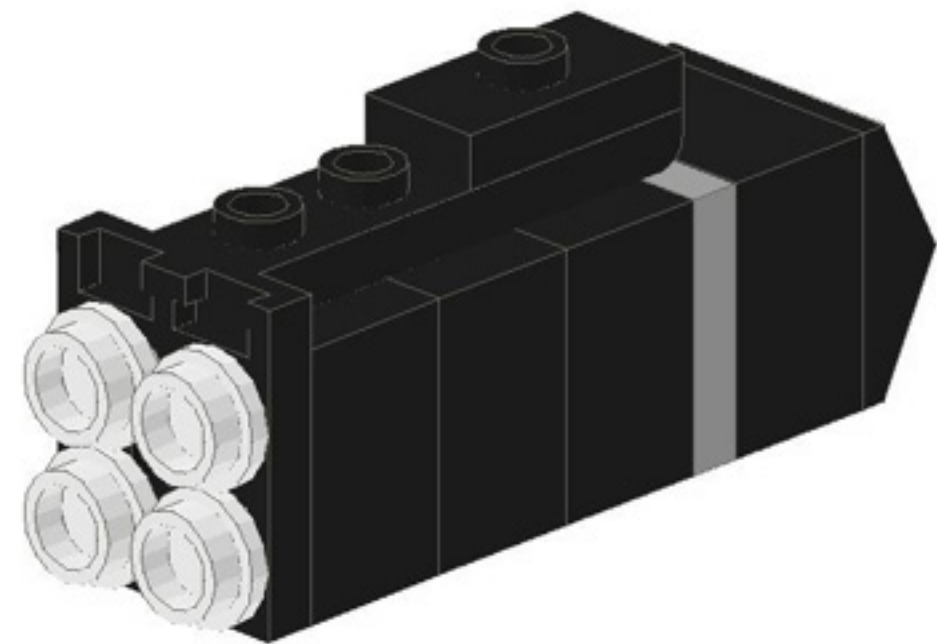


6



5

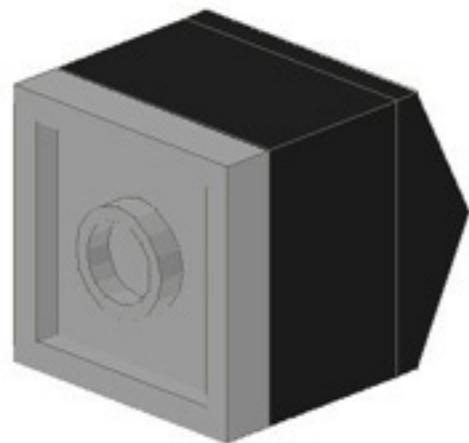




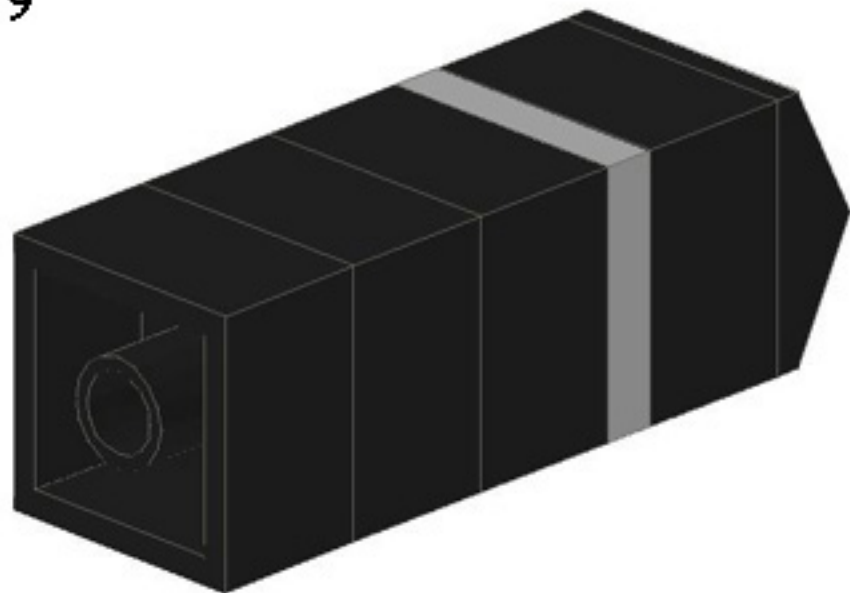
7



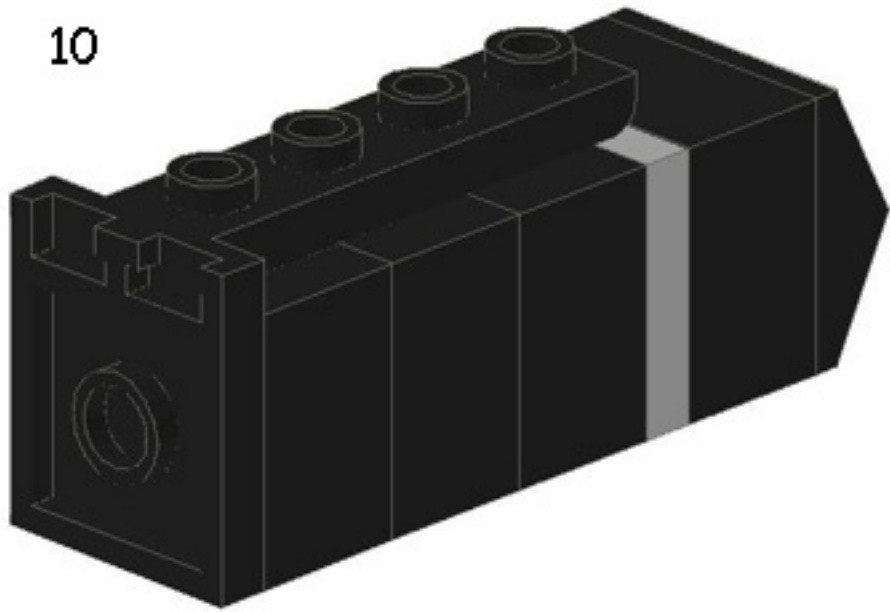
8



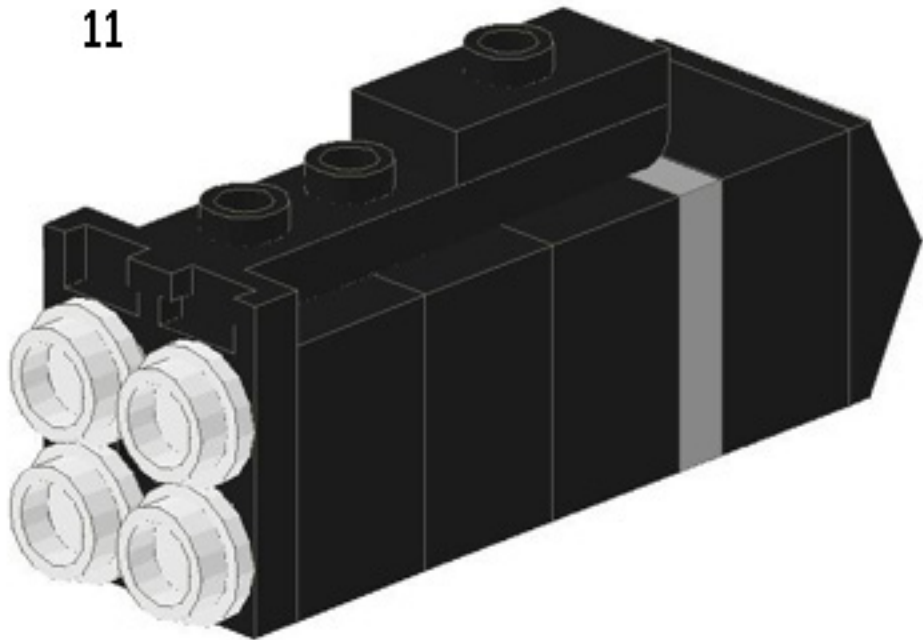
9



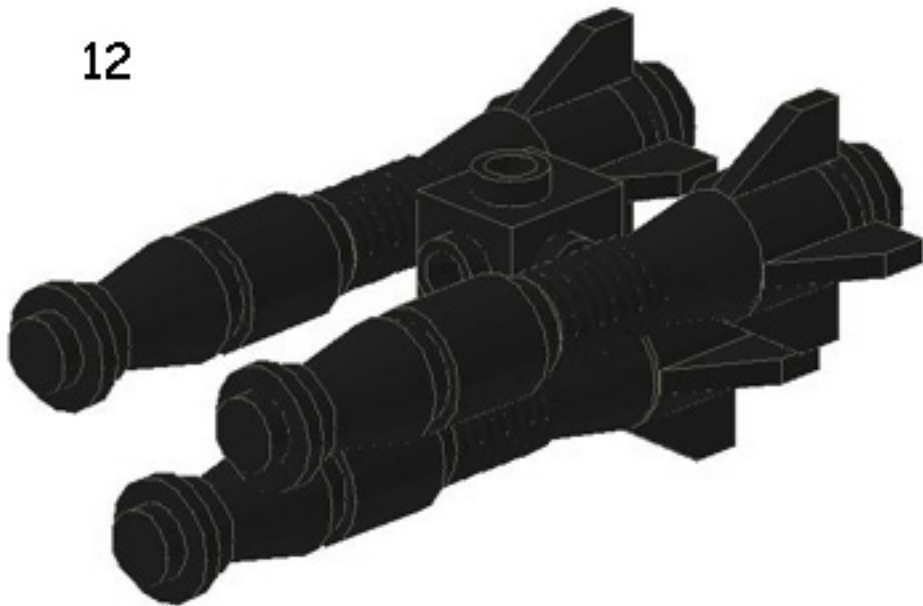
10



11



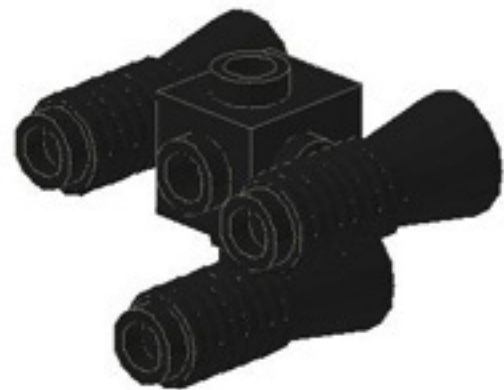
12



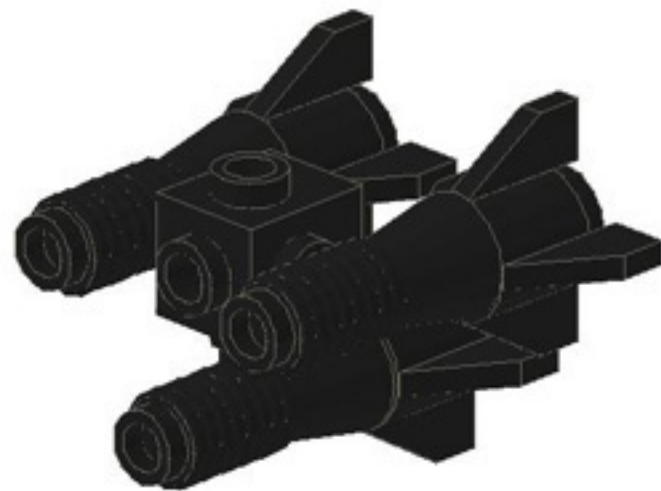
13



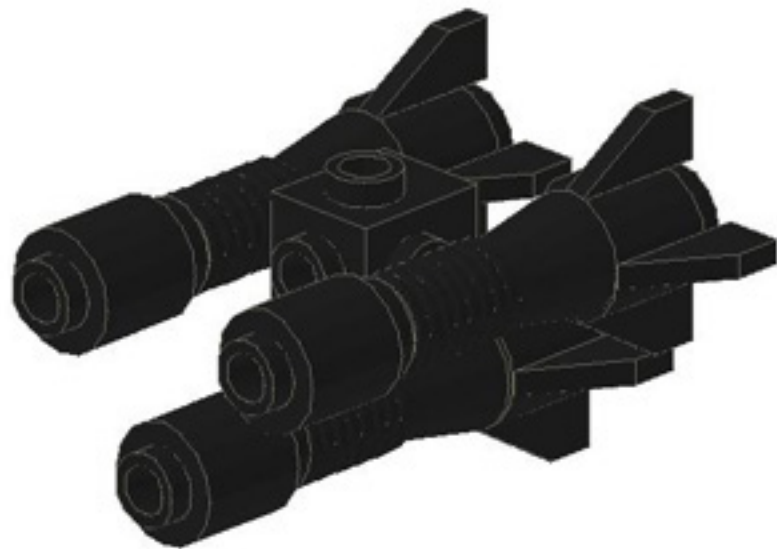
14



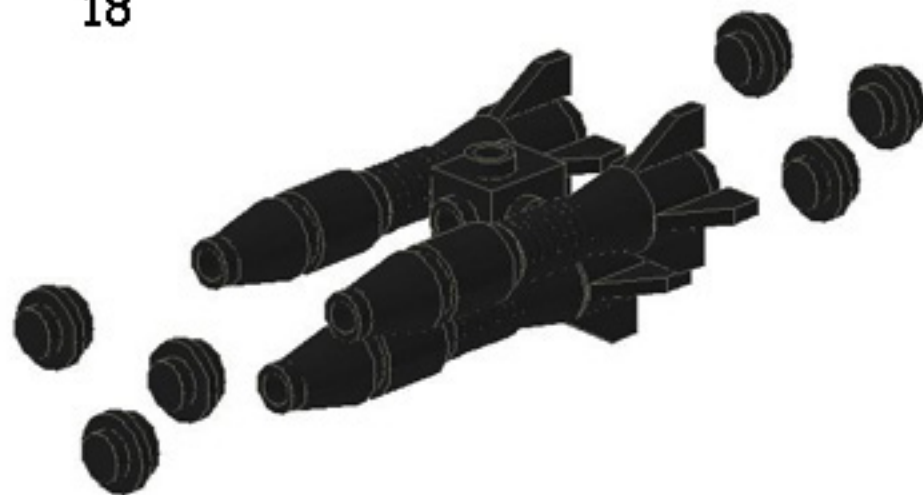
15



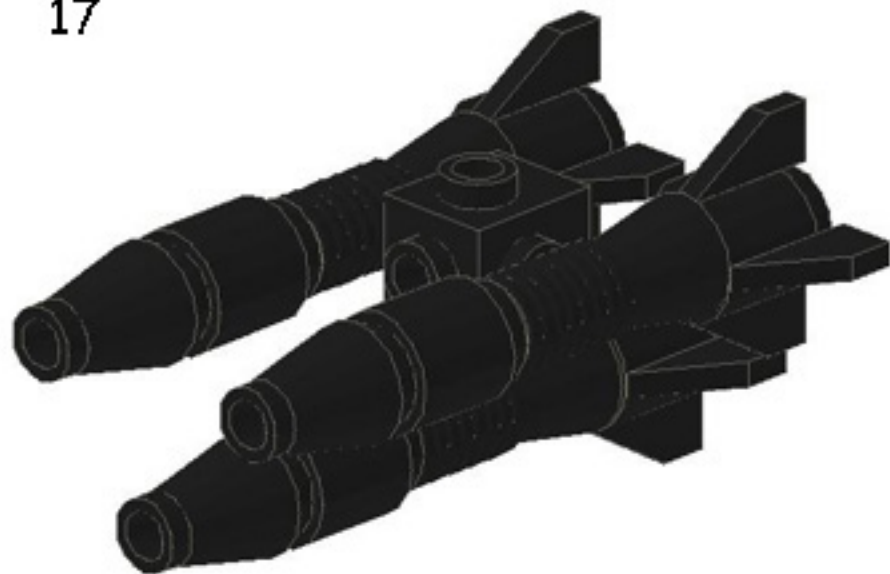
16



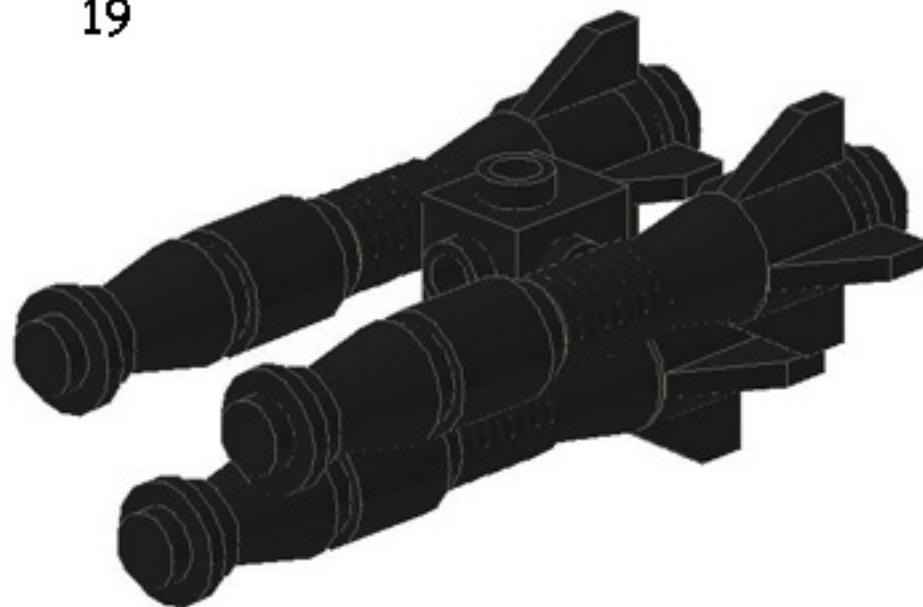
18



17



19



20

Attach missile packs
under wings and place
gun-pod in right hand

