

BIONICLE®

BUILDING STEPS



LEGO, BIONICLE and the LEGO logo are trademarks of the LEGO Group. © 2008 The LEGO Group.





club

BIONICLE

BUILDING STEPS

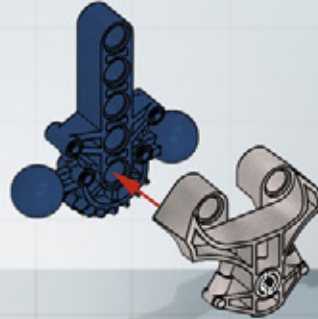
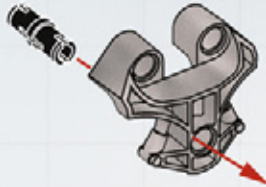
1



2



3

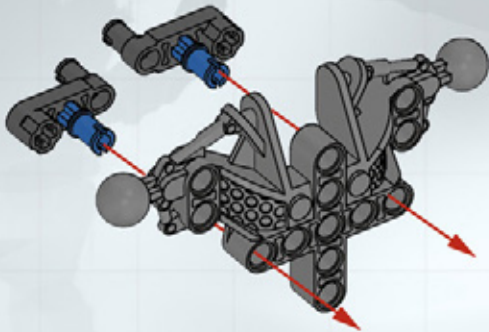


4

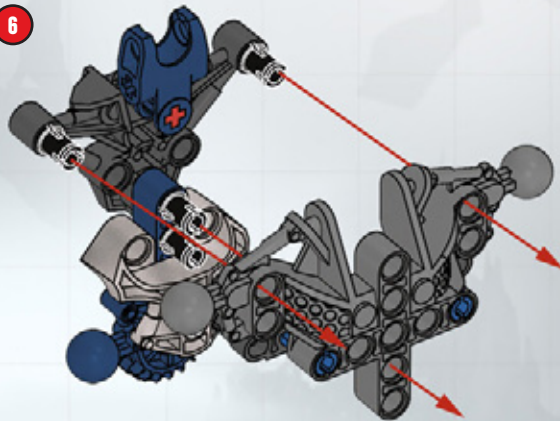


x2

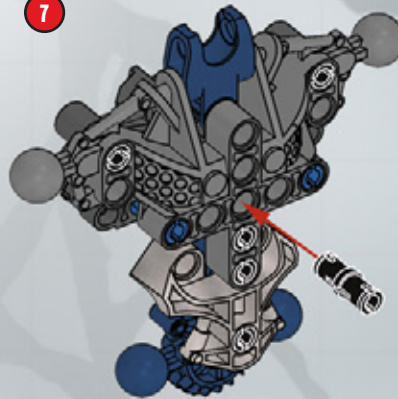
5



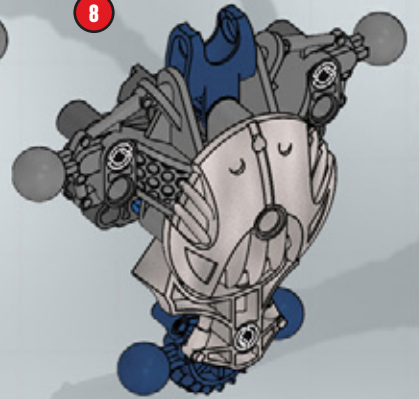
6



7



8



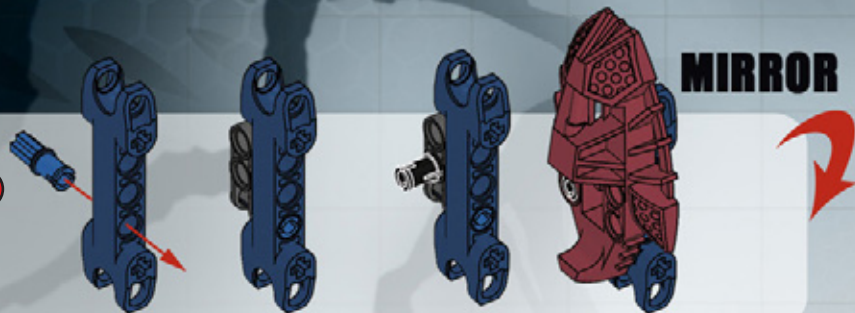


club

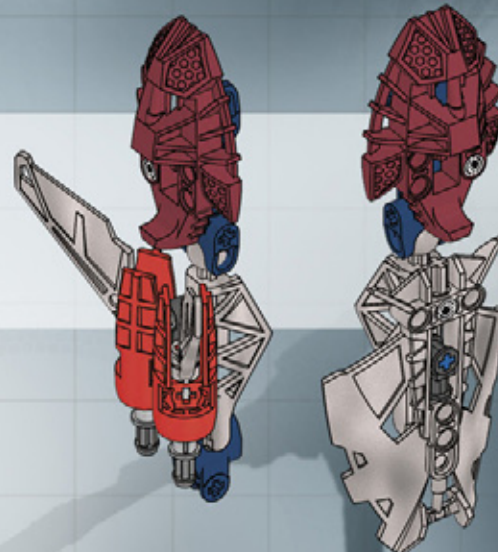
BIONICLE

BUILDING STEPS

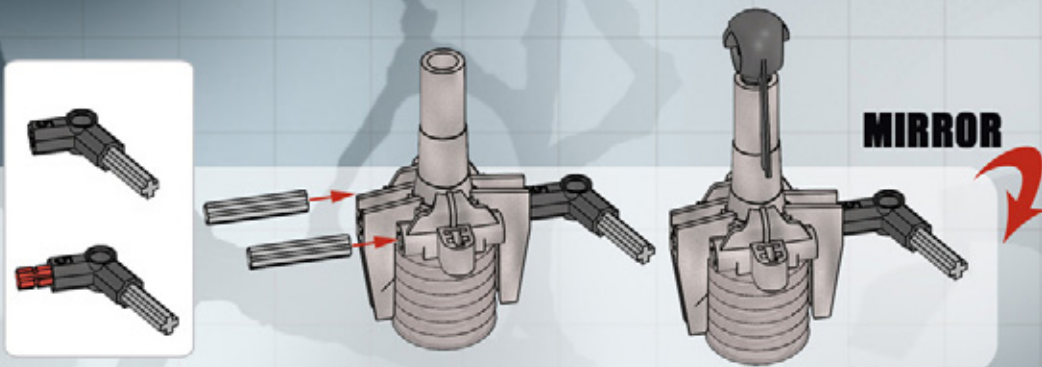
13



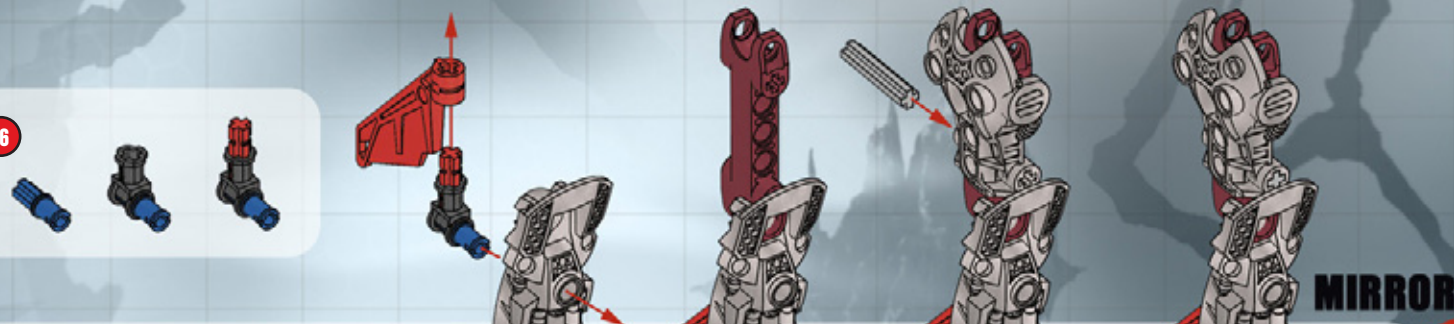
14



15



16



17



LEGO club **BIONICLE**
BUILDING STEPS

