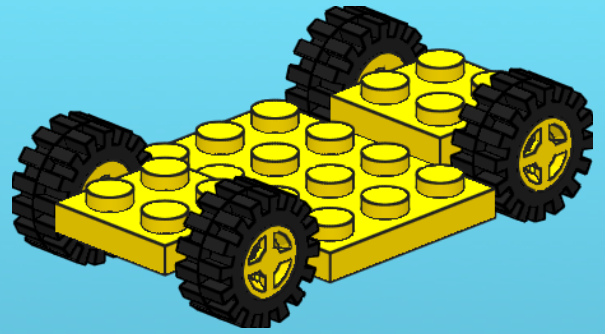
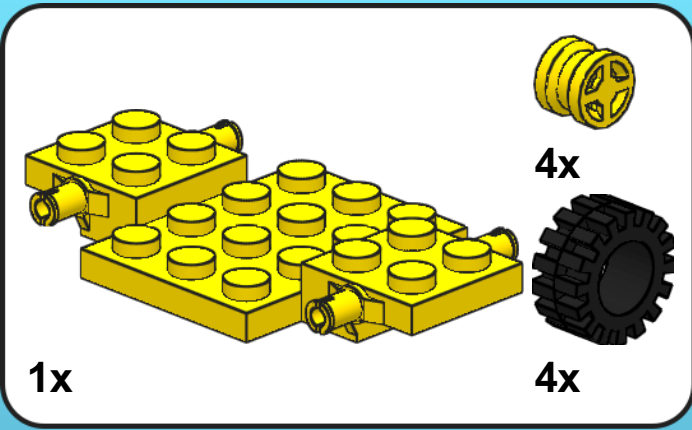
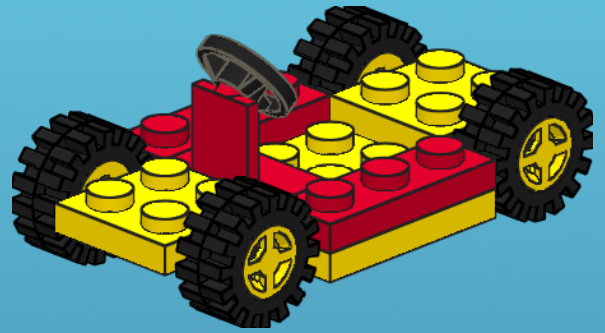
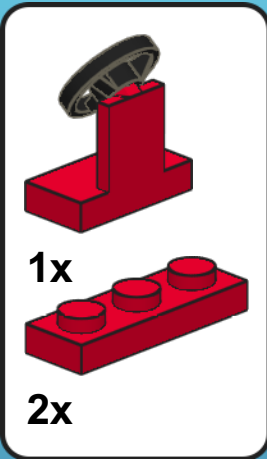


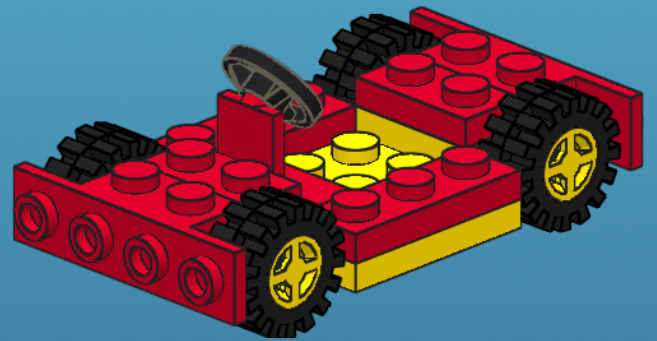
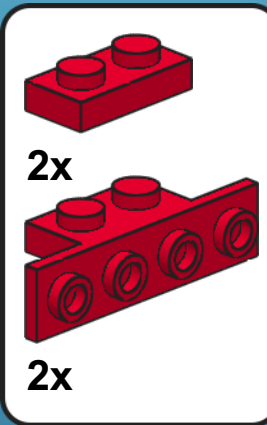
1



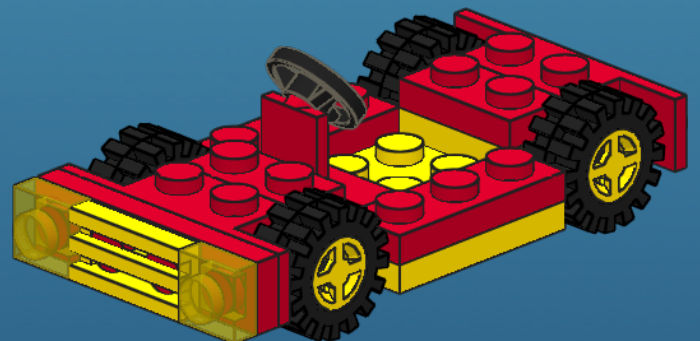
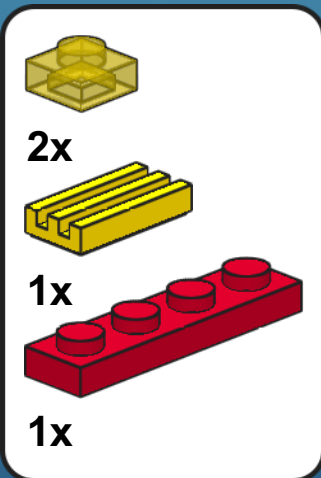
2



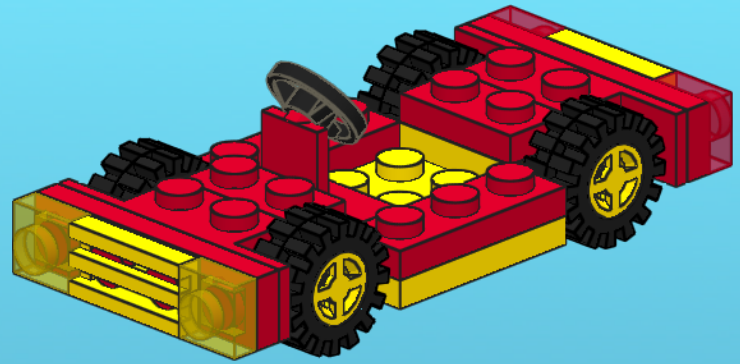
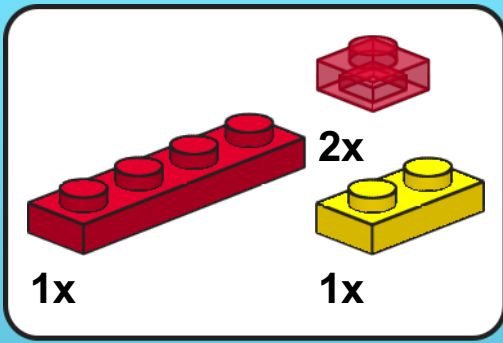
3



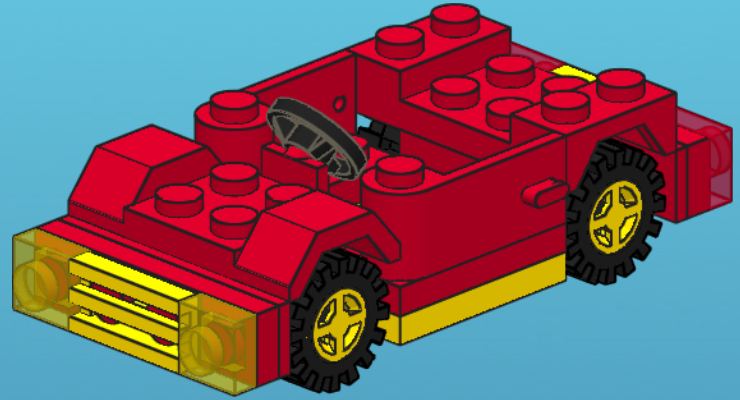
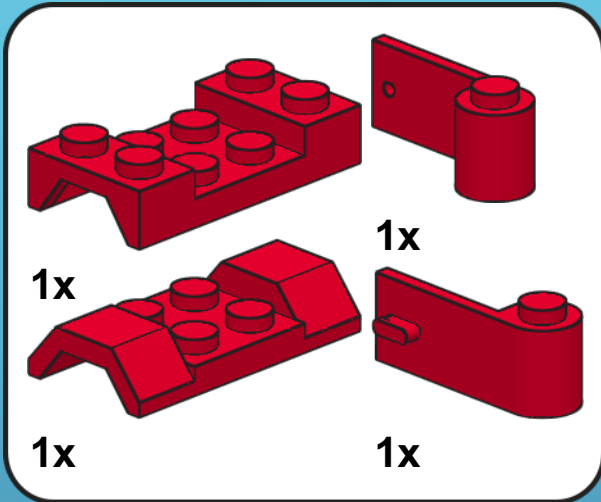
4



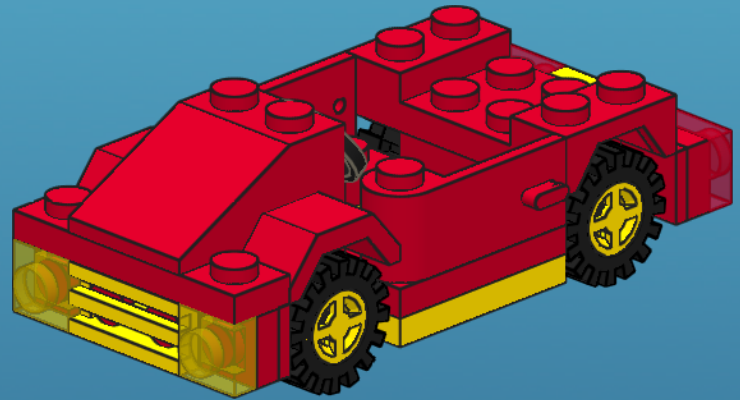
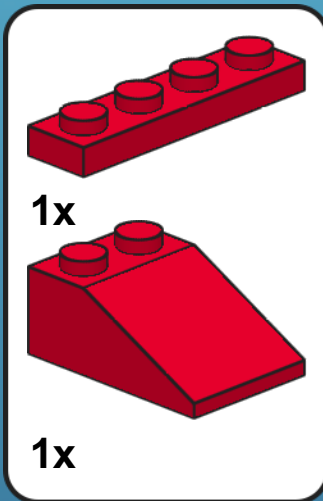
5



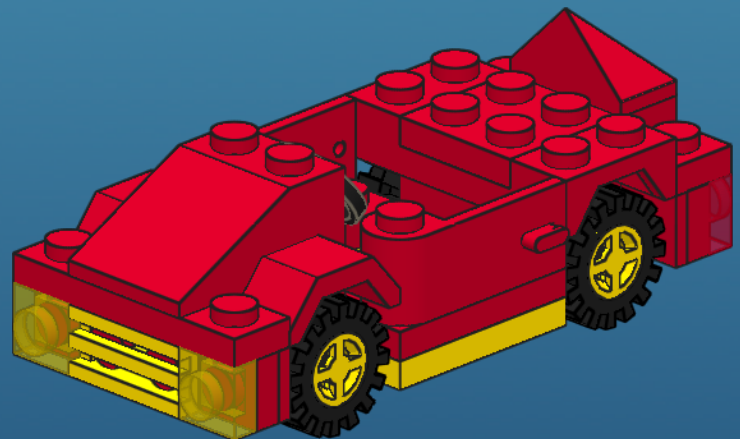
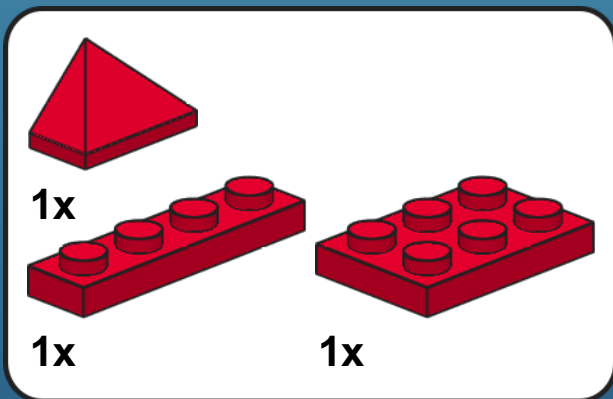
6



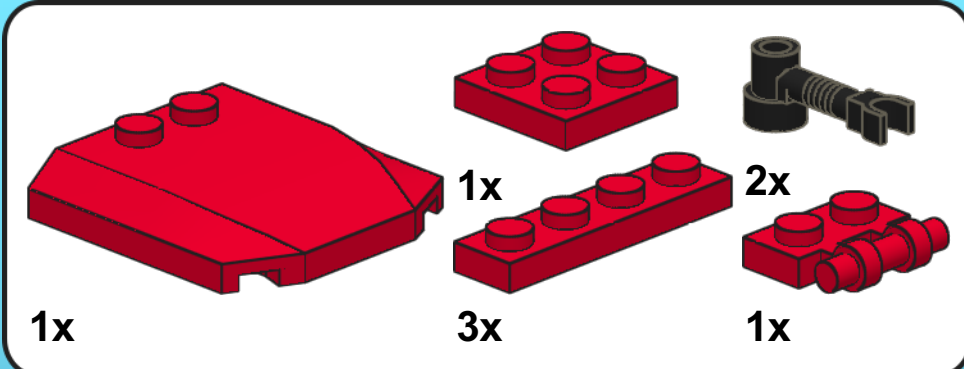
7



8







1x [Red 1x6 Technic Plate with 2 holes]

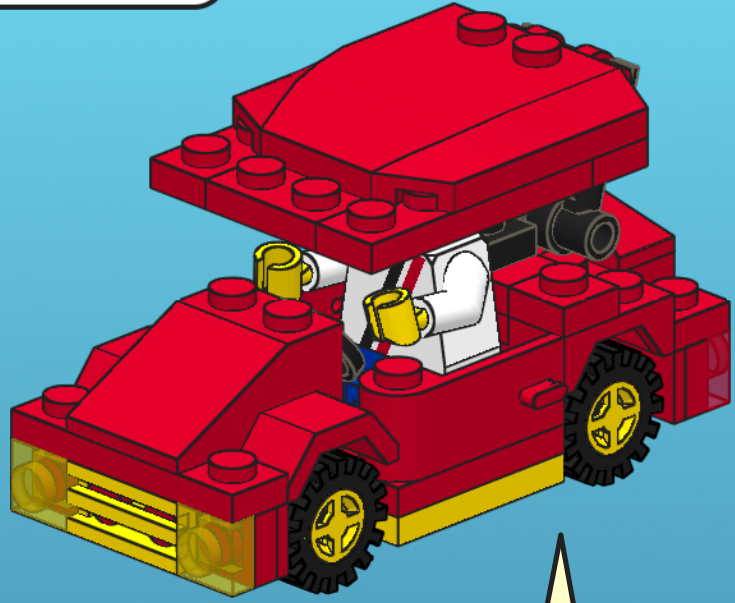
1x [Red 1x3 Technic Plate with 3 holes]

3x [Red 1x4 Technic Plate with 4 holes]

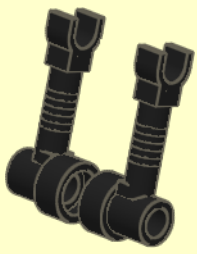
2x [Red 1x3 Technic Plate with 3 holes]

1x [Red 1x4 Technic Plate with 4 holes]

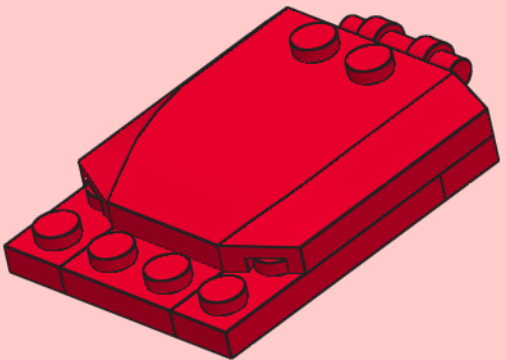
2x [Black Technic Pin with Friction Ridge]



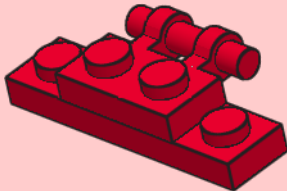
1



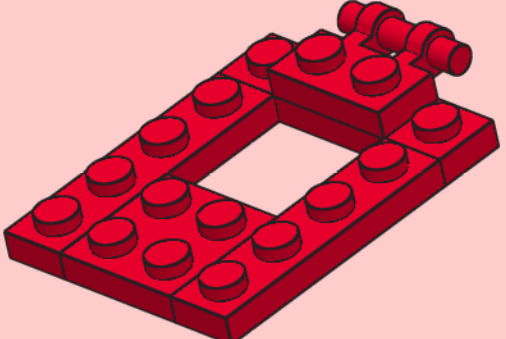
2



1



2



3

