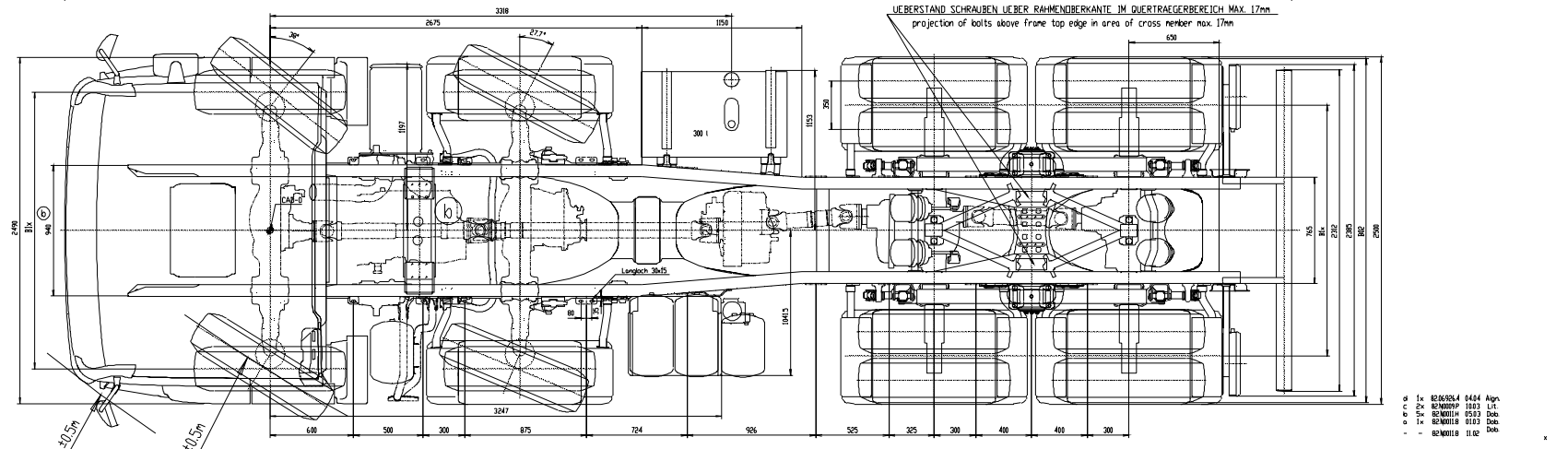


DETAILLIERTE RAHMENFÜß SÄ. SACHAR. TABELLE QUERVERWEISE
 for detailed information see table of item numbers, cross-references

Im Bereich ±800 von Mitte Doppelachse nur Schublechte verwenden
 use only trust plates in area up to 800mm in front and behind
 tandem axle centerline

ÜBERSTAND SCHRAUBEN LIEBER RAHMENBEREICH MAX. 17mm
 projection of bolts above frame top edge in area of cross member max. 17mm



Mendelkreiß Ø 22,6m ±0,5m
 SWEEP CIRCLE
 Spurkreis Ø 20,9m ±0,5m
 TURNING CIRCLE

- Ø 1x 82/658/4 0424 Agn.
- Ø 2x 82/658/4 0183 Lit.
- Ø 3x 82/658/4 0553 Dob.
- Ø 4x 82/658/4 0183 Dob.
- 82/658/4 1162 Dob.

Besondere Zulasten/Leertgewicht beeinflussen die Masse der Zugkombination <small>changes in permissible loads/empty weight affect the dimensions of the tractor/tractor combination</small>		Achse/Locust <small>axle/locust</small>		Antriebsachse/Locust <small>drive axle/locust</small>		Antriebsachse/Locust <small>drive axle/locust</small>		Antriebsachse/Locust <small>drive axle/locust</small>		Antriebsachse/Locust <small>drive axle/locust</small>		Antriebsachse/Locust <small>drive axle/locust</small>		Antriebsachse/Locust <small>drive axle/locust</small>		Antriebsachse/Locust <small>drive axle/locust</small>		Antriebsachse/Locust <small>drive axle/locust</small>		Antriebsachse/Locust <small>drive axle/locust</small>		Antriebsachse/Locust <small>drive axle/locust</small>	
Art <small>type</small>	Nr. <small>no.</small>	Lastradius <small>load radius</small>	Lastradius <small>load radius</small>	Lastradius <small>load radius</small>	Lastradius <small>load radius</small>	Lastradius <small>load radius</small>	Lastradius <small>load radius</small>	Lastradius <small>load radius</small>	Lastradius <small>load radius</small>	Lastradius <small>load radius</small>	Lastradius <small>load radius</small>	Lastradius <small>load radius</small>	Lastradius <small>load radius</small>	Lastradius <small>load radius</small>	Lastradius <small>load radius</small>	Lastradius <small>load radius</small>	Lastradius <small>load radius</small>	Lastradius <small>load radius</small>	Lastradius <small>load radius</small>	Lastradius <small>load radius</small>	Lastradius <small>load radius</small>	Lastradius <small>load radius</small>	Lastradius <small>load radius</small>
1	7500-3000	377	308	246	190	157	125	100	80	65	50	40	30	20	15	10	8	6	5	4	3	2	1
2	7500-3000	377	308	246	190	157	125	100	80	65	50	40	30	20	15	10	8	6	5	4	3	2	1
3	13000	370	300	240	184	152	120	96	76	61	48	36	27	20	15	10	8	6	5	4	3	2	1
4	13000	370	300	240	184	152	120	96	76	61	48	36	27	20	15	10	8	6	5	4	3	2	1

88.11 Debaech
 XTLH
 82.99126.8184
 05