

*A&M Productions*®

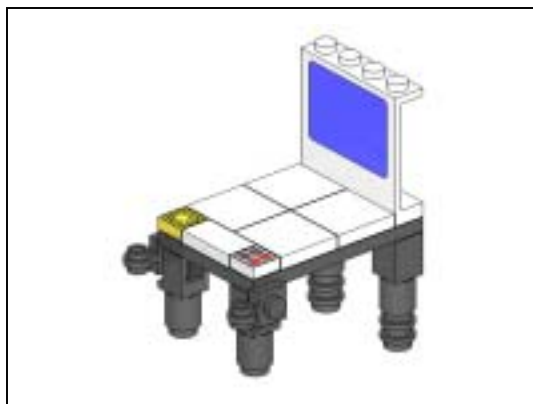
*Pinball Machine*

*AMP #0008*



*23 Elements*

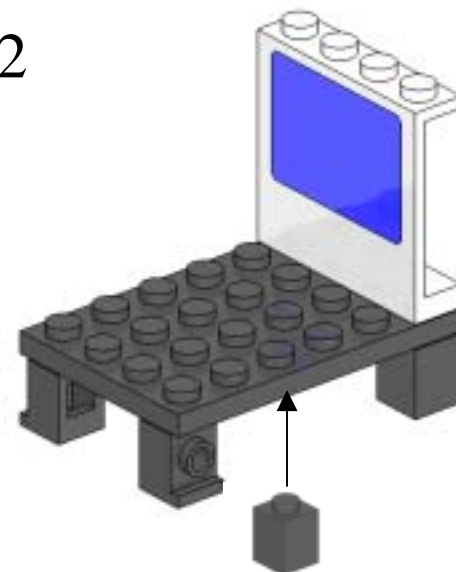
Model: Pinball Machine



1



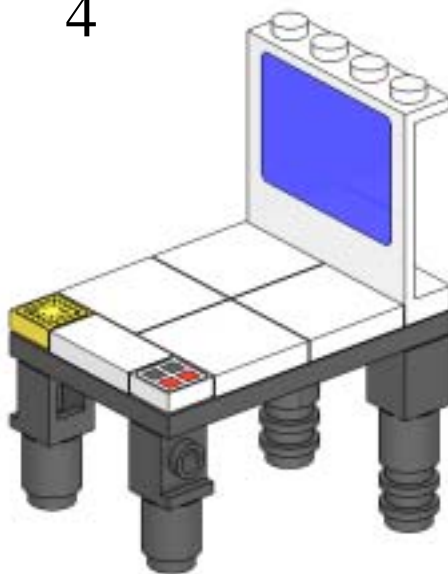
2



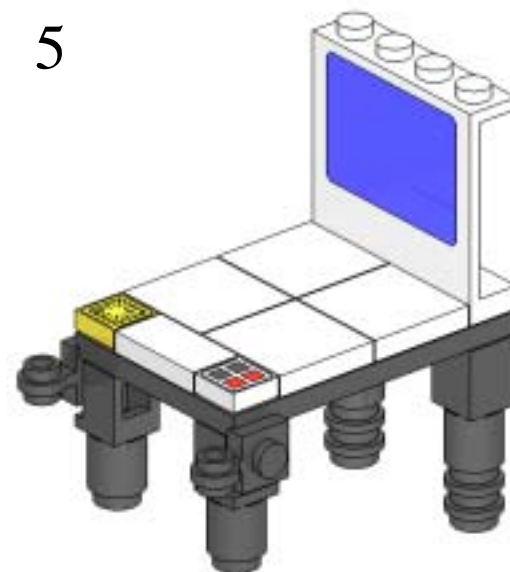
3



4

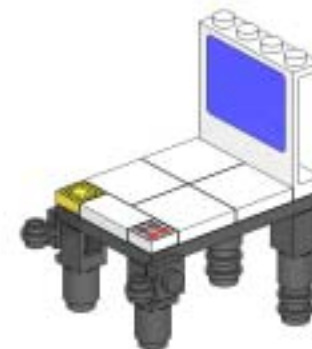


5



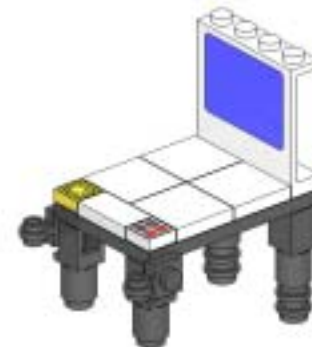
## Model: Pinball Machine - Parts List by Step

Step	Number	Color	Description
1	1	Black	Plate 4x6
2	2	Black	Brick 1x1
2	2	Black	Brick 1x1 with Headlight
2	1	White	Panel 1x4x3 with Glass
3	4	Black	Brick 1x1 Round
3	1	Yellow	Tile 1x1 with Computer Display Pattern
3	1	White	Tile 1x1 with Red & Black Buttons Pattern
3	1	White	Tile 1x2
4	4	White	Tile 2x2
4	4	Black	Plate 1x1 Round
5	2	Black	Plate 1x1 with Clip Light - Type 1



## Model: Pinball Machine – Master Parts List

Number	Color	Description
2	Black	Brick 1x1
4	Black	Brick 1x1 Round
2	Black	Brick 1x1 with Headlight
1	White	Panel 1x4x3 with Glass
4	Black	Plate 1x1 Round
2	Black	Plate 1x1 with Clip Light - Type 1
1	Black	Plate 4x6
1	Yellow	Tile 1x1 with Computer Display Pattern
1	White	Tile 1x1 with Red & Black Buttons Pattern
1	White	Tile 1x2
4	White	Tile 2x2



**Model: Pinball Machine – Thanks and Disclaimer****Special Thanks to**

- My wife for putting up with my many hours of sitting, standing, and laying next to the PC
- Steve Barile for helping me understand the ‘Art of Creating Building Instructions’
- LUGNET, LDraw, and POV-Ray Communities for their support and inspiration
- LEGO Company for making it possible to “imagine...”

**Disclaimer**

All content is provided as is, with no warranty stated or implied regarding the quality or accuracy of any content. All trademarks, service marks, and copyrights are property of their respective owners. LEGO is a registered trademark of the LEGO Company which does not own endorse this document. Please note that this document is copyrighted by A&M Productions (also known as A&M Lego Place). This means that we are allowing you to **ONLY** print or download this document for your personal, non-commercial use. You may not, however, alter or delete any copyright or trademark notices. Furthermore we are not authorizing you to transmit, republish, or distribute either in whole or any part of this document for commercial or public use. A&M Productions retains full and complete title to all material in this document and the sale, distribution, or reproduction of anything contained herein may constitute copyright or trademark infringement. The trademarks, logos, and service marks displayed in this document are registered and unregistered trademarks of A&M Productions, its affiliates, and others. Nothing contained on this document should be construed as granting by implication, or otherwise, any license or right to use any trademark displayed without the written permission of A&M Productions. A&M Productions will endeavor to make sure the information on this document is current and correct. We cannot guarantee that there will be no errors or omissions: the information is provided in an "AS IS" condition, and A&M Productions does not, either expressly or impliedly, warrant the use thereof. No liability is assumed for any incidental, direct, indirect, or consequential injury or damages from your use or reliance of this document. Note in particular that A&M Productions assumes no responsibility or liability for damages to your computer, software, or peripheral equipment that may occur due to computer "viruses" or other harmful elements that may be transmitted as a result of your accessing, downloading, or other use of or contact with A&M Lego Place Web Site and the materials contained on them. In other words, your use of this document is at your own risk. A&M Productions reserves the right to change the terms of this agreement at any time. All opinions expressed here are our own, no one else sponsors nor endorses this document.