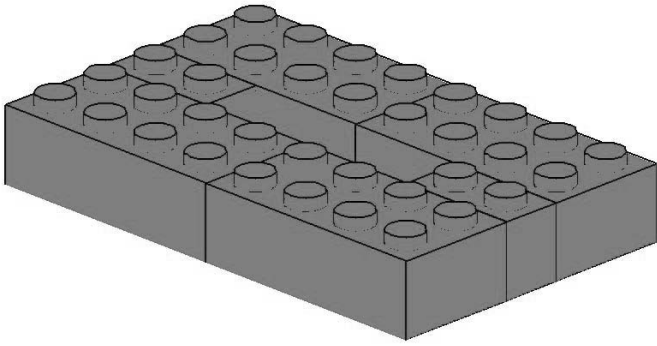
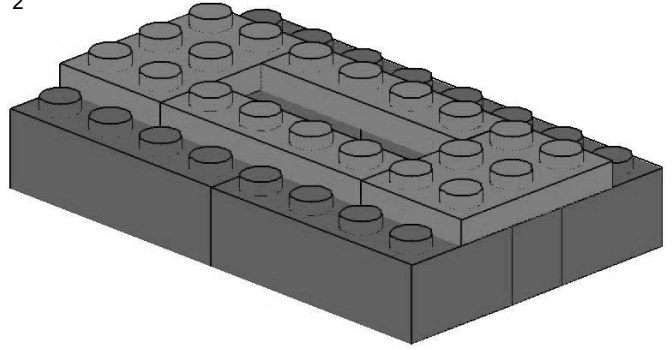


Basic pushke: lid

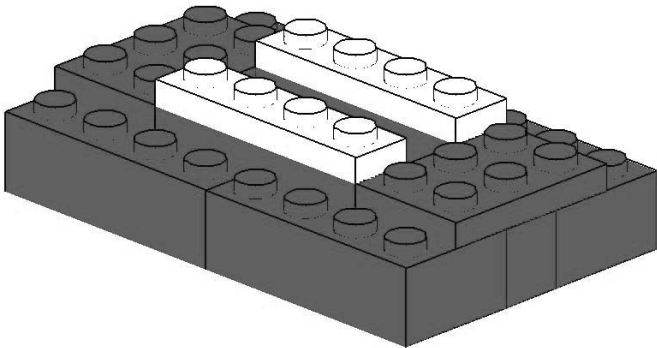
1 (just lay bricks together)



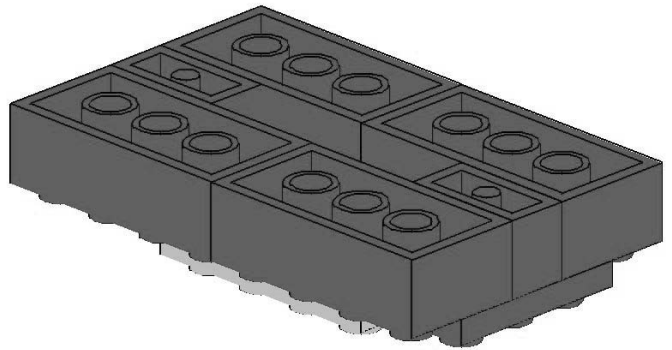
2



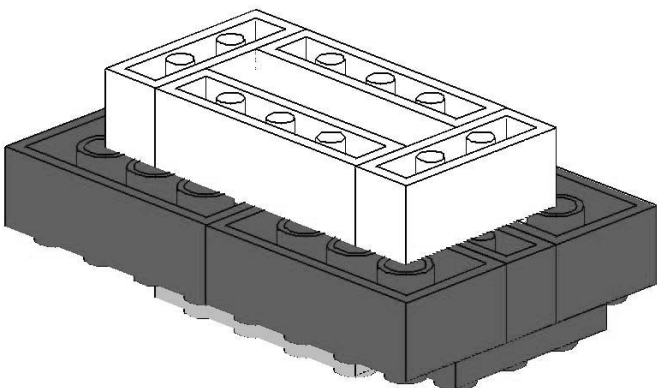
3



4 (just turn upside down)



5



6 (lid is complete)

