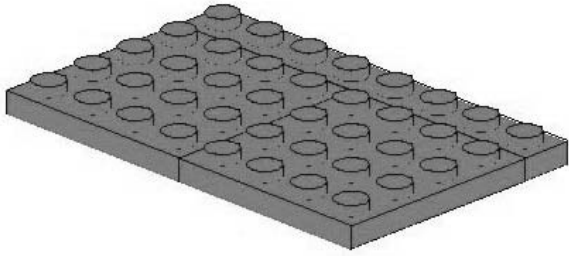
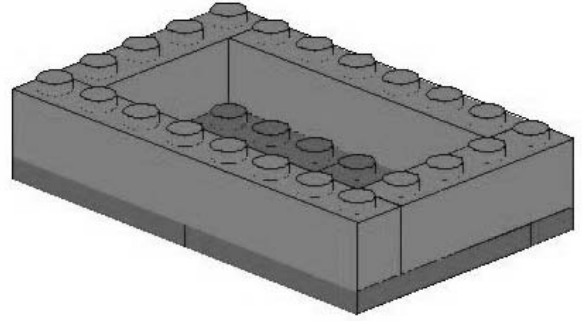


Intermediate pushke: body (blue and white)

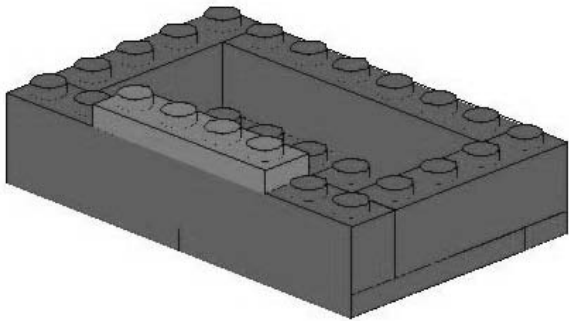
1 (just lay plates together)



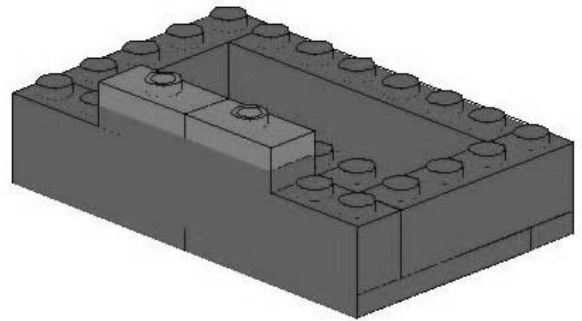
2



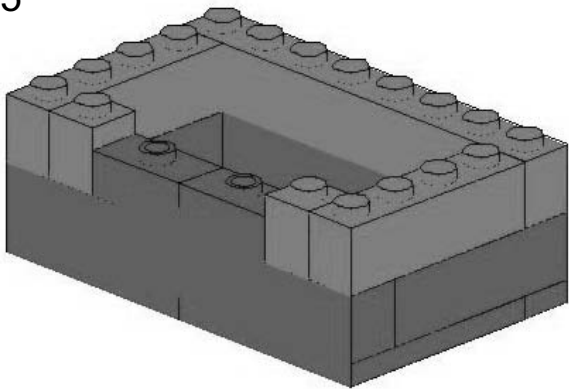
3



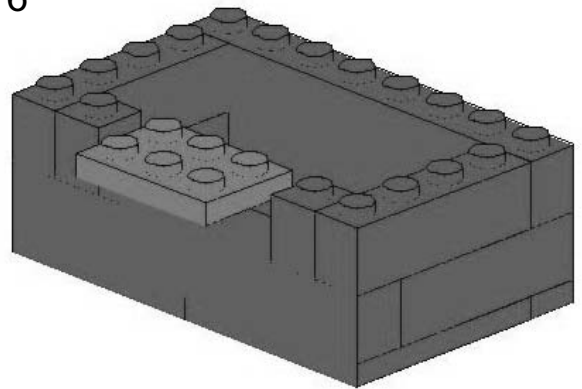
4



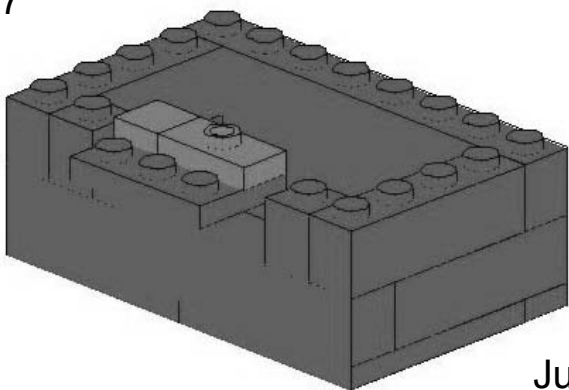
5



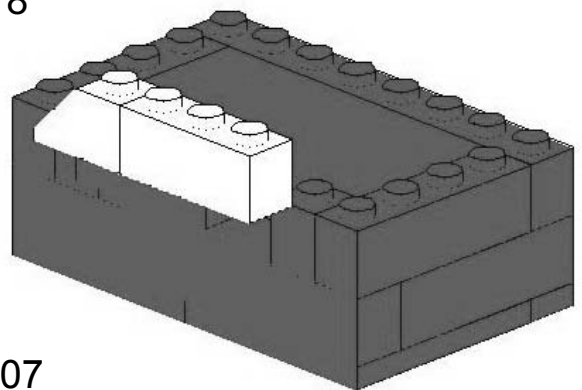
6



7

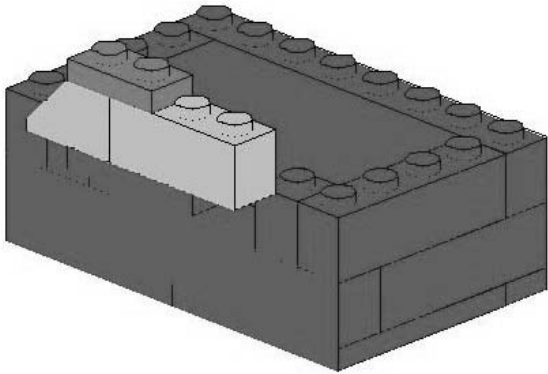


8

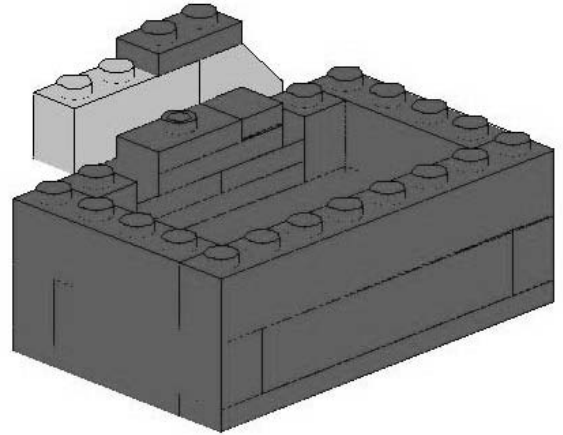


Intermediate pushke: body

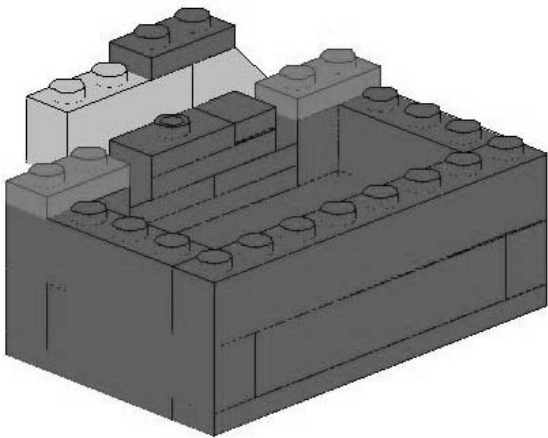
9



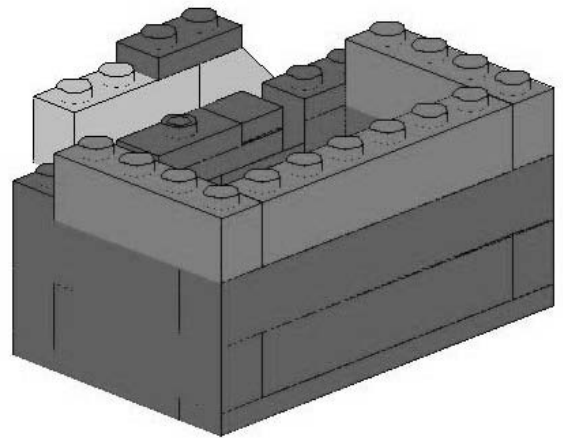
10 (turn model around and add pieces)



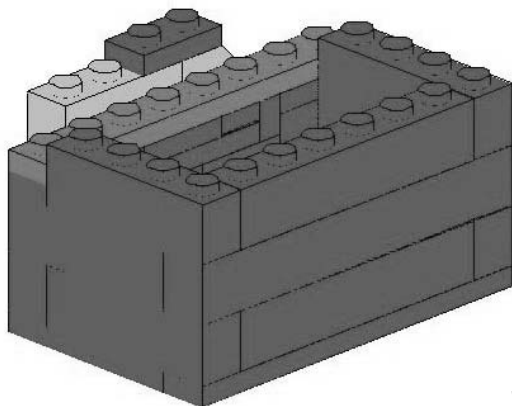
11



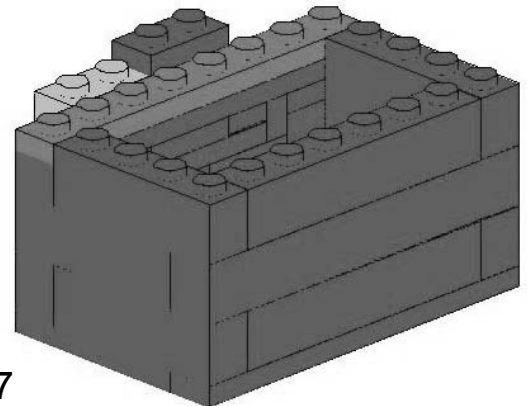
12



13 (add 1x8 plate)

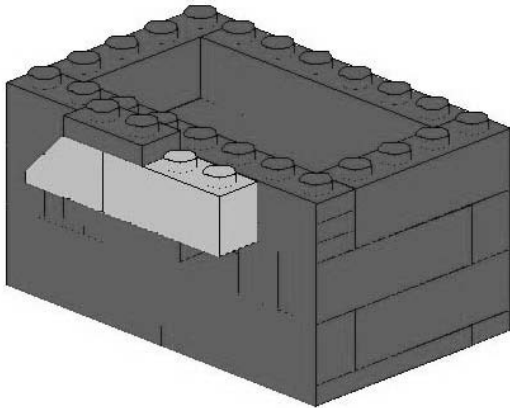


14 (add another 1x8 plate)

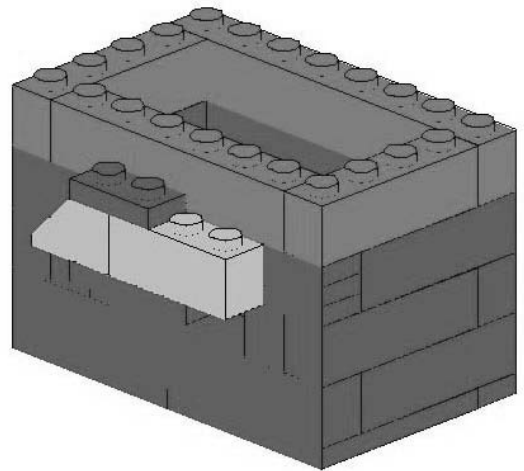


Intermediate pushke: body

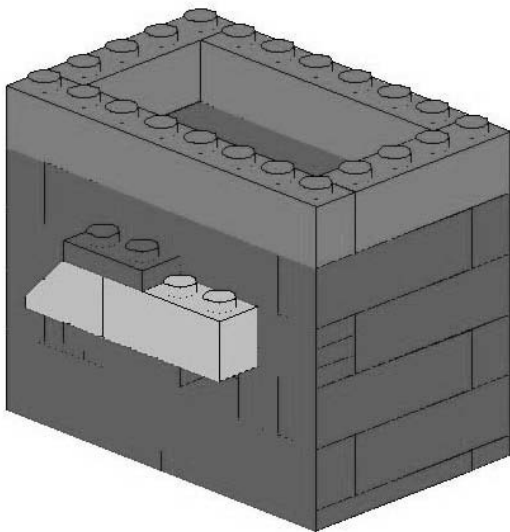
15 (just turn model around)



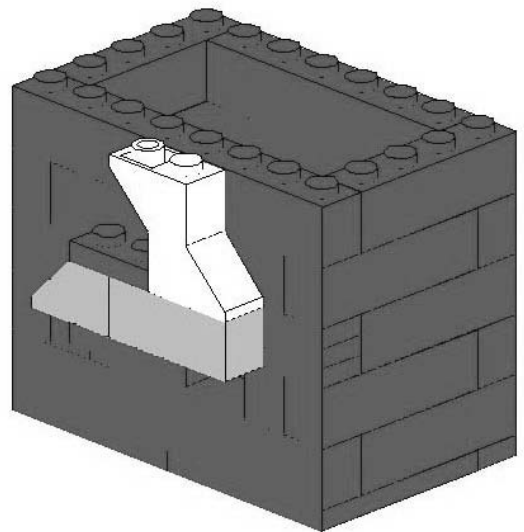
16



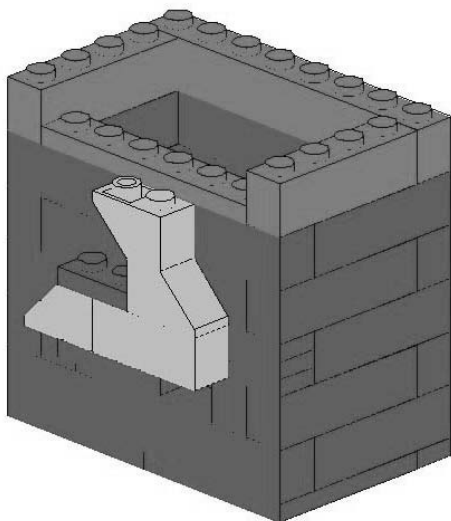
17



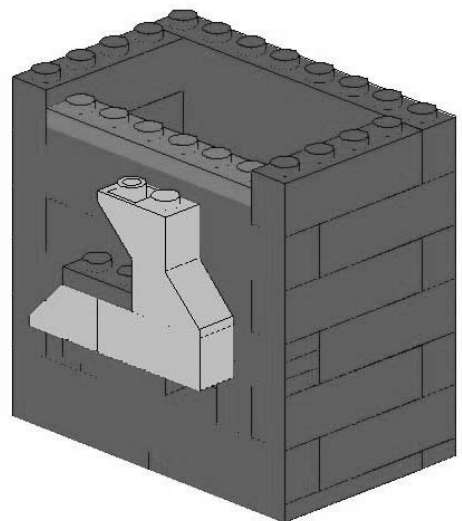
18



19

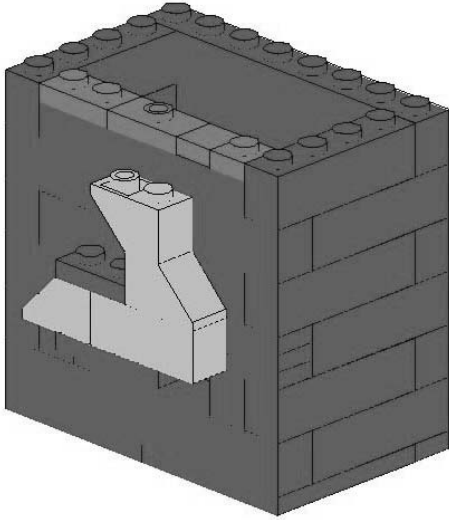


20 (add another 1x6 plate)

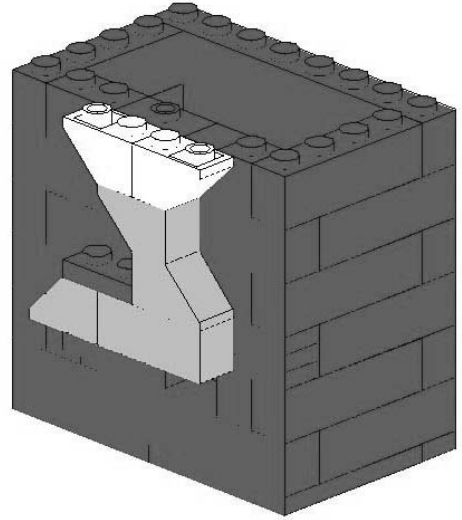


Intermediate pushke: body

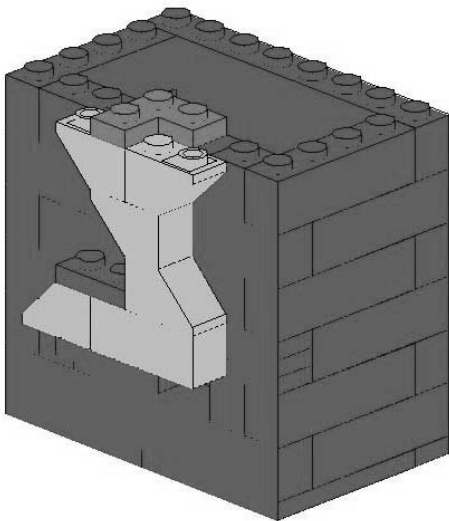
21



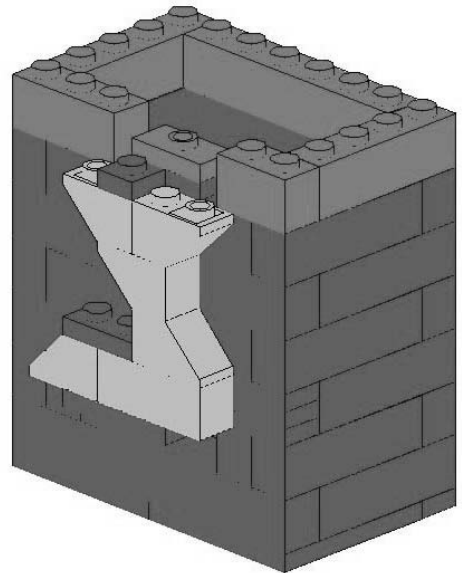
22



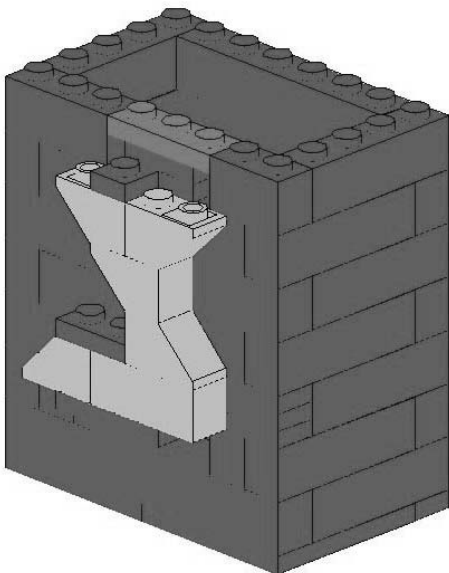
23



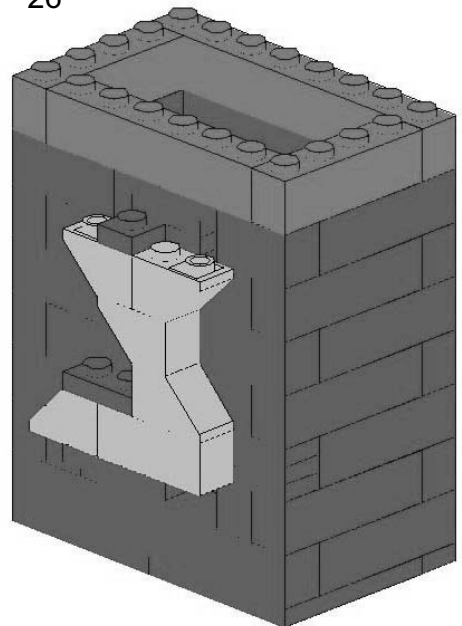
24



25



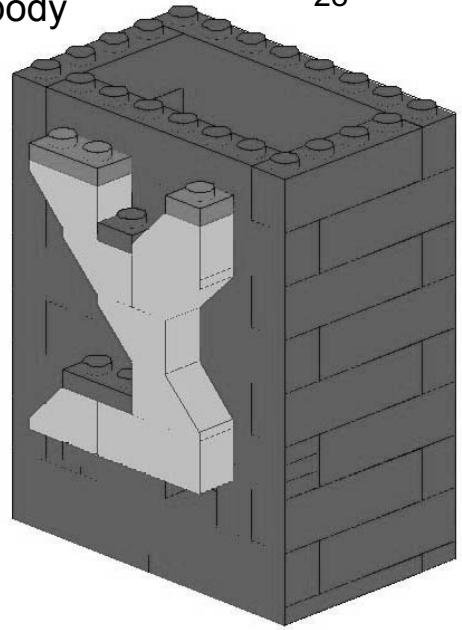
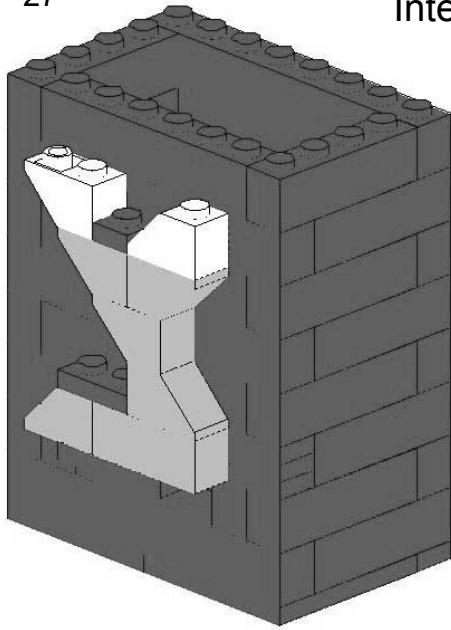
26



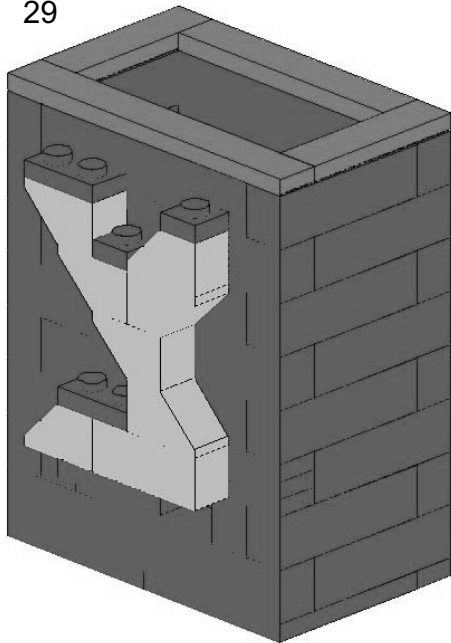
27

Intermediate pushke: body

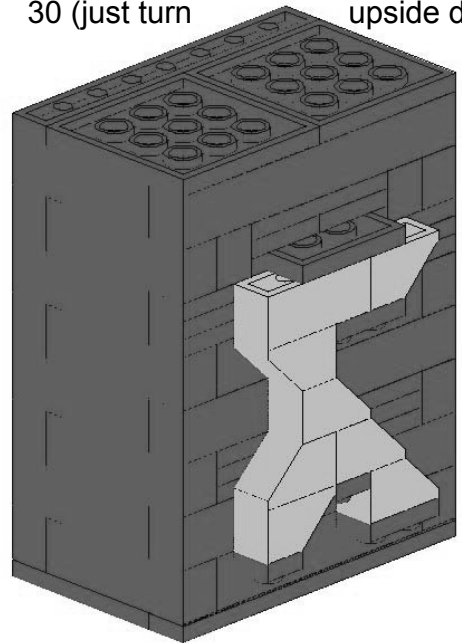
28



29



30 (just turn upside down)



31

