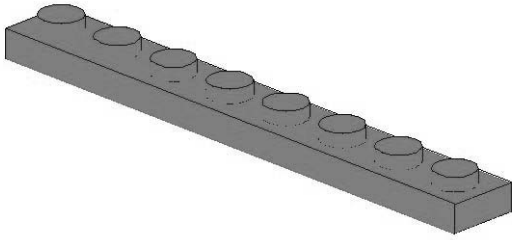
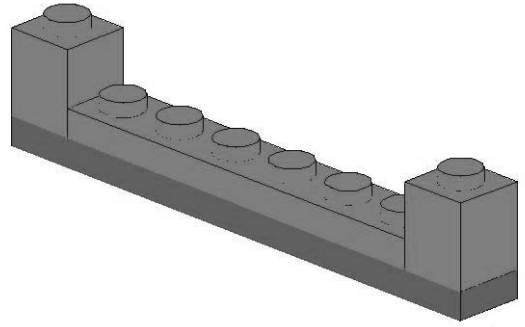


Intermediate pushke: lid (blue and white)

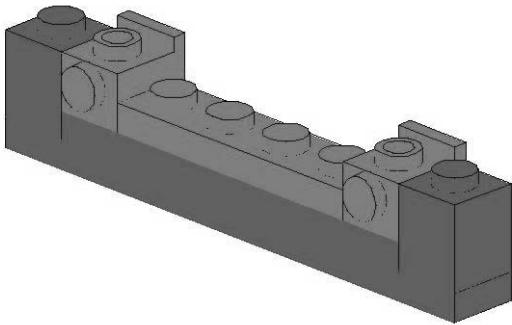
1



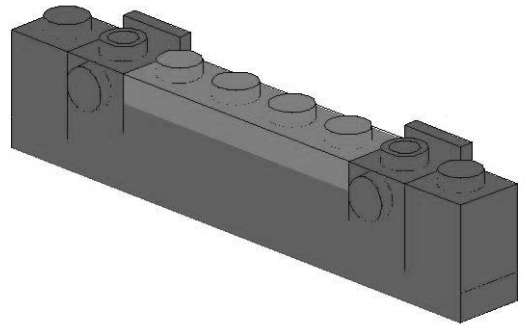
2



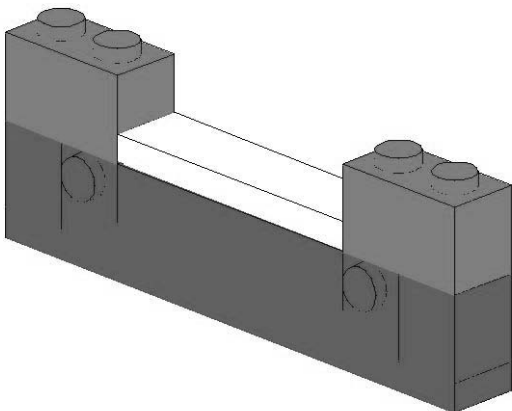
3



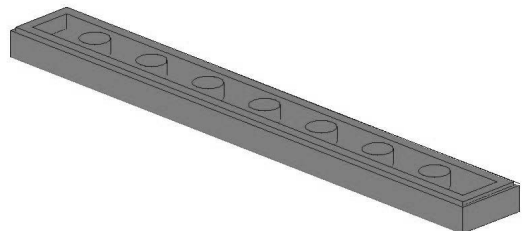
4



5

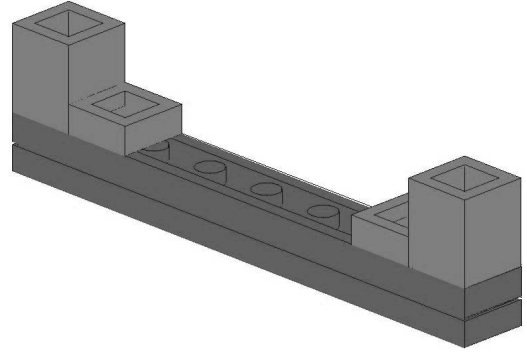
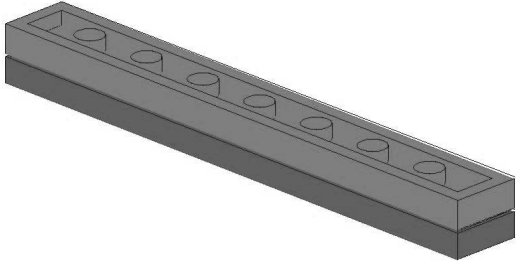


6 (starting a new part of lid; lay 1x8 tile upside down)

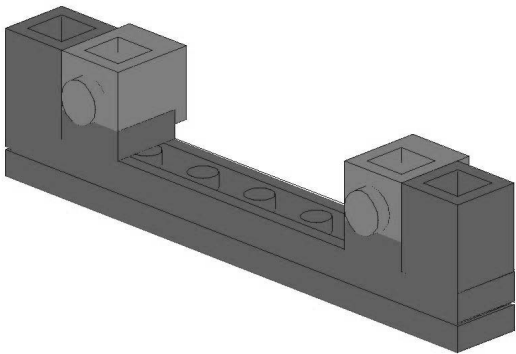


Intermediate pushke: lid (blue and white)

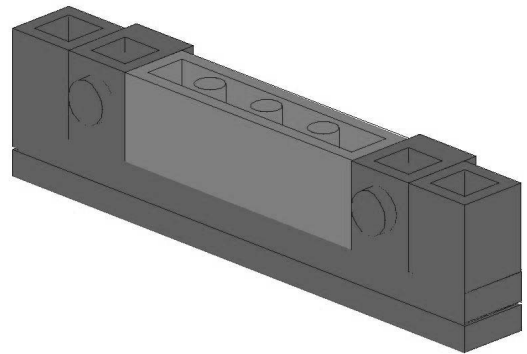
7



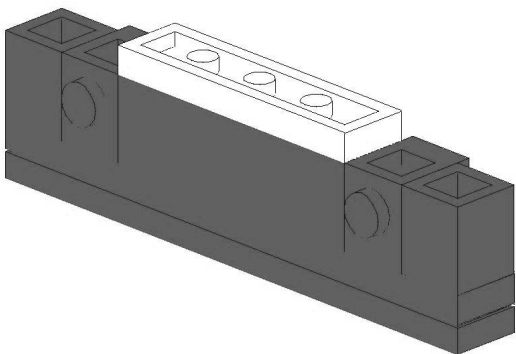
9



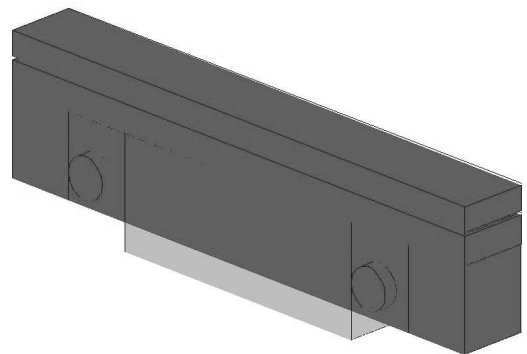
10



11



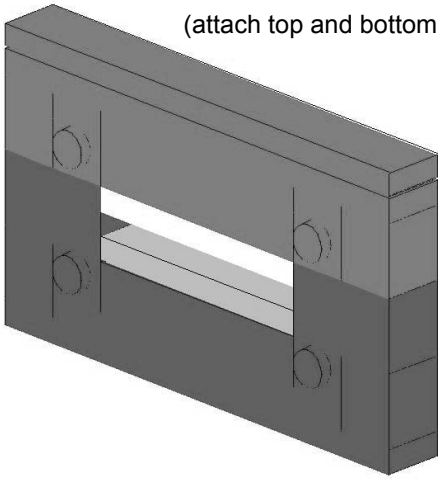
12 (just turn right side up)



Intermediate pushke: lid (blue and white)

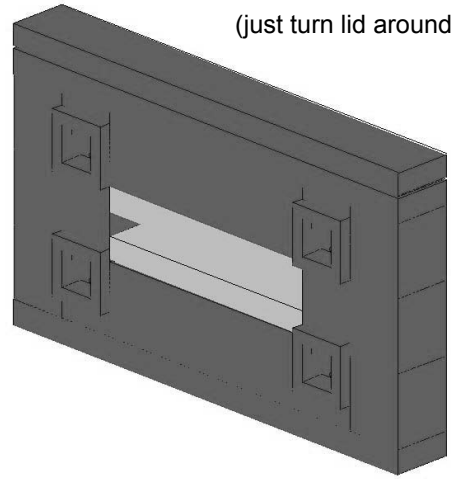
13

(attach top and bottom of lid)

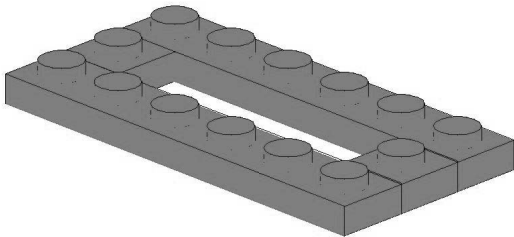


14

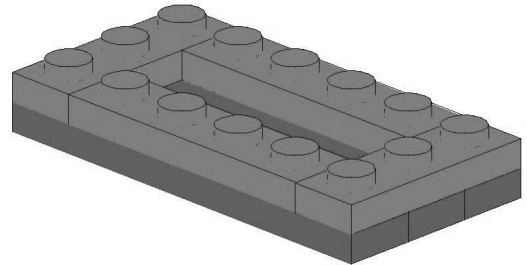
(just turn lid around)



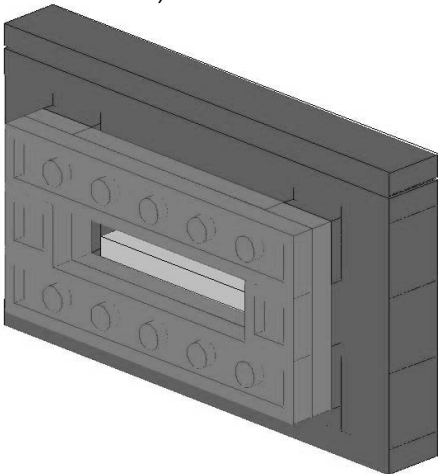
15 (starting new part of lid; just lay plates together)



16



17 (attach to back of lid)



18 (lid is finished)

