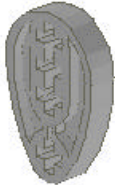




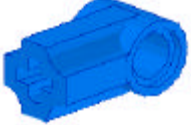





<p>Cam (2)</p> 	<p>Pole reverser handle</p> 	<p>Axle Joiner Perpendicular (2)</p> 	
<p>Connector with axle hole (2)</p> 	<p>1x2 Liftarm (2), 3 long axle joiner</p> 	<p>#1 Angle</p> 	<p>#5 Angle</p> 
<p>1x3 liftarm (2)</p> 	<p>1x4 Liftarm (2)</p> 	<p>1x5 Liftarm (2)</p> 