

Ultimate Collector Series Anakin Skywalker's Jedi Starfighter



by Reto Geiger (bricks@enerprice.ch)

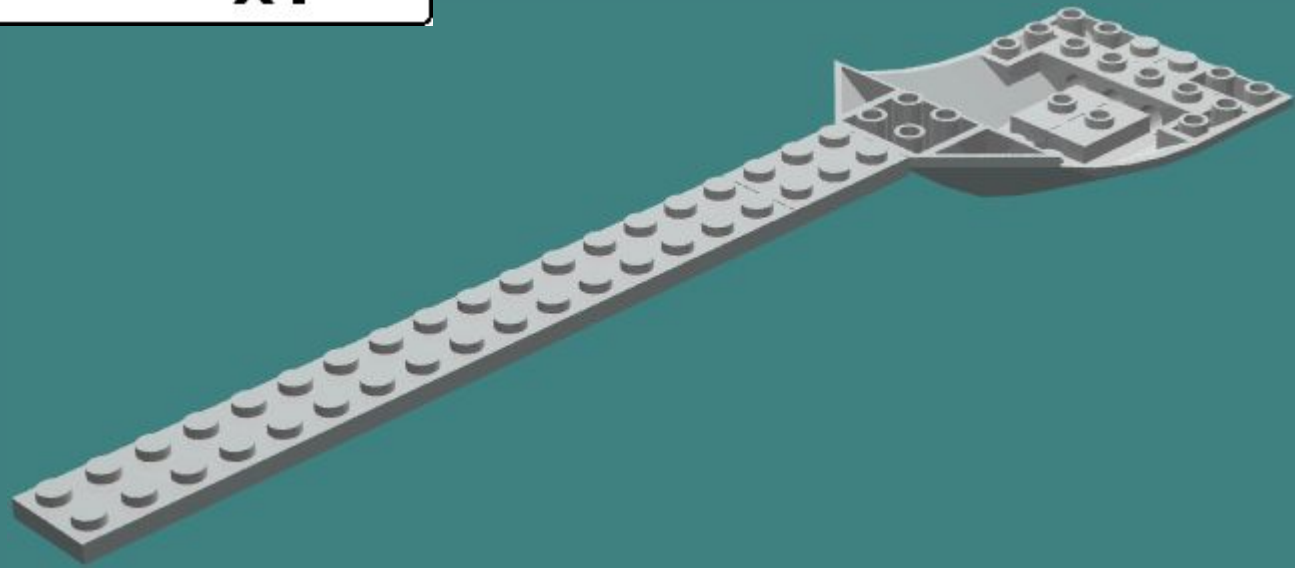
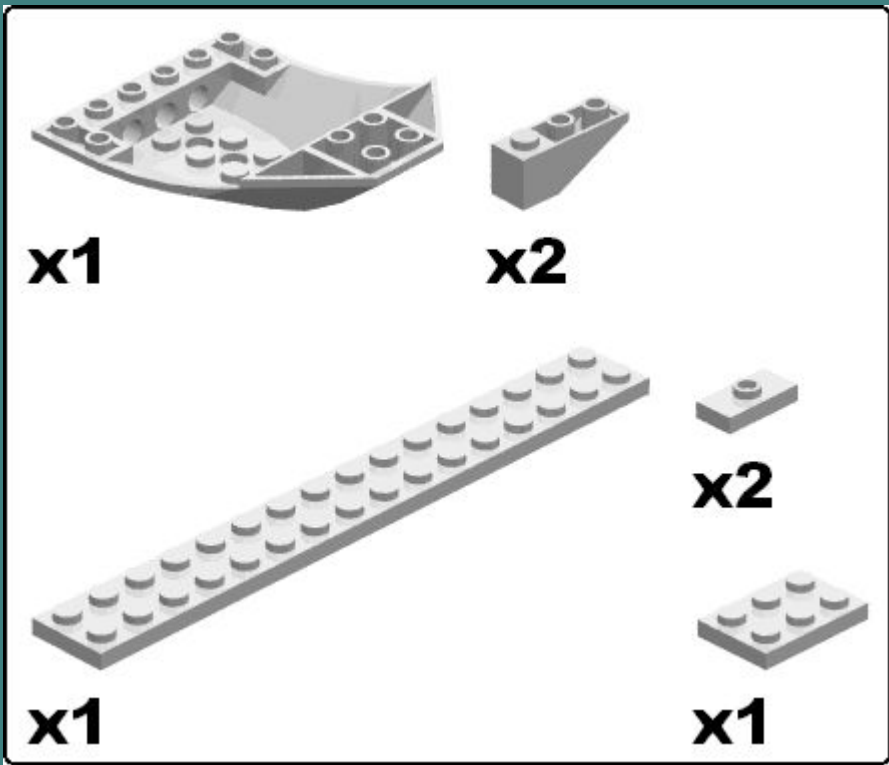
1/24th Scale UCS Anakin Skywalker's Jedi Starfighter

by Reto Geiger (bricks@enerprice.ch)

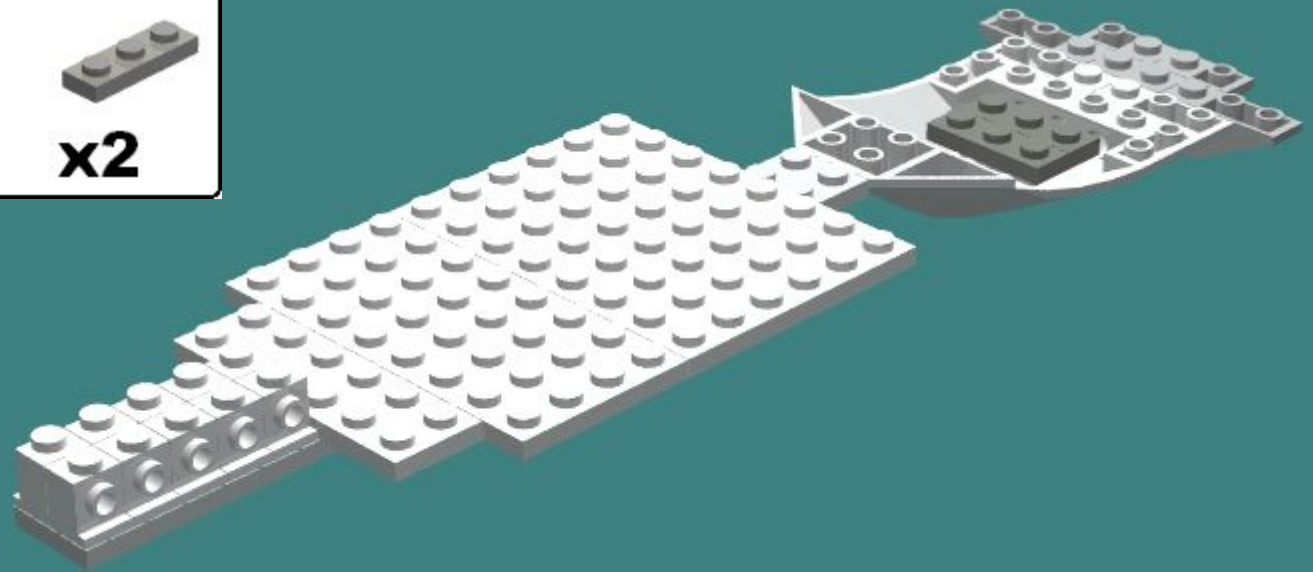
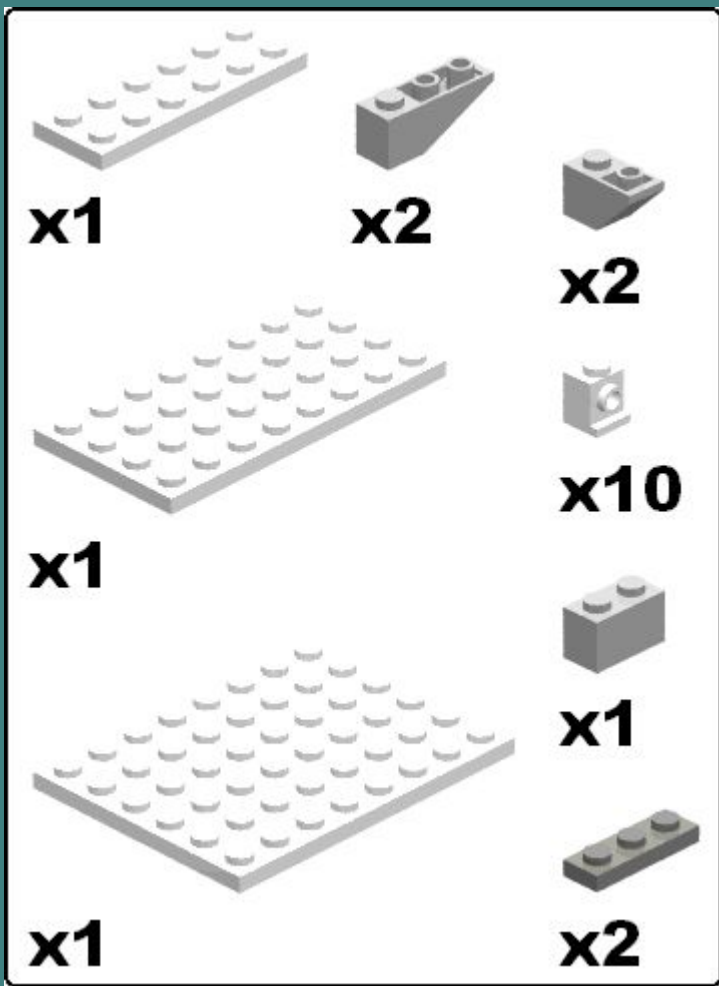
For a parts list, see separate parts.txt file.

These instructions are meant for personal use only. If you want to use them for commercial purposes (eg. selling on eBay), contact me first to get my consent. I reserve the right not to grant this permission. Thanks for your understanding!

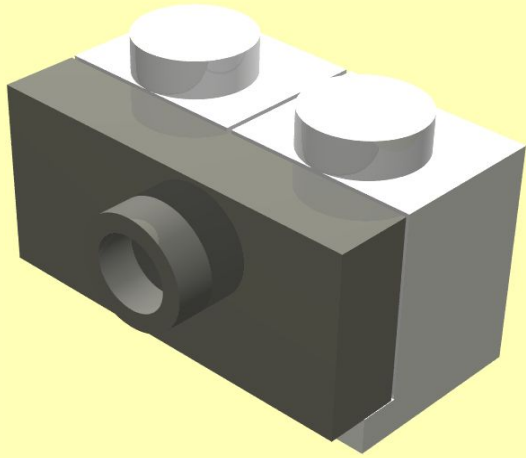
1



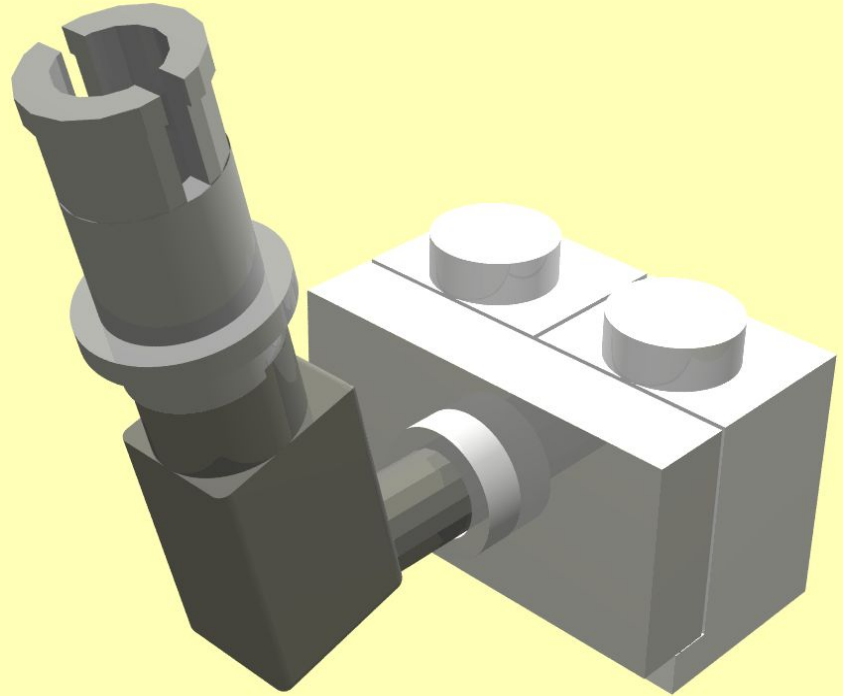
2



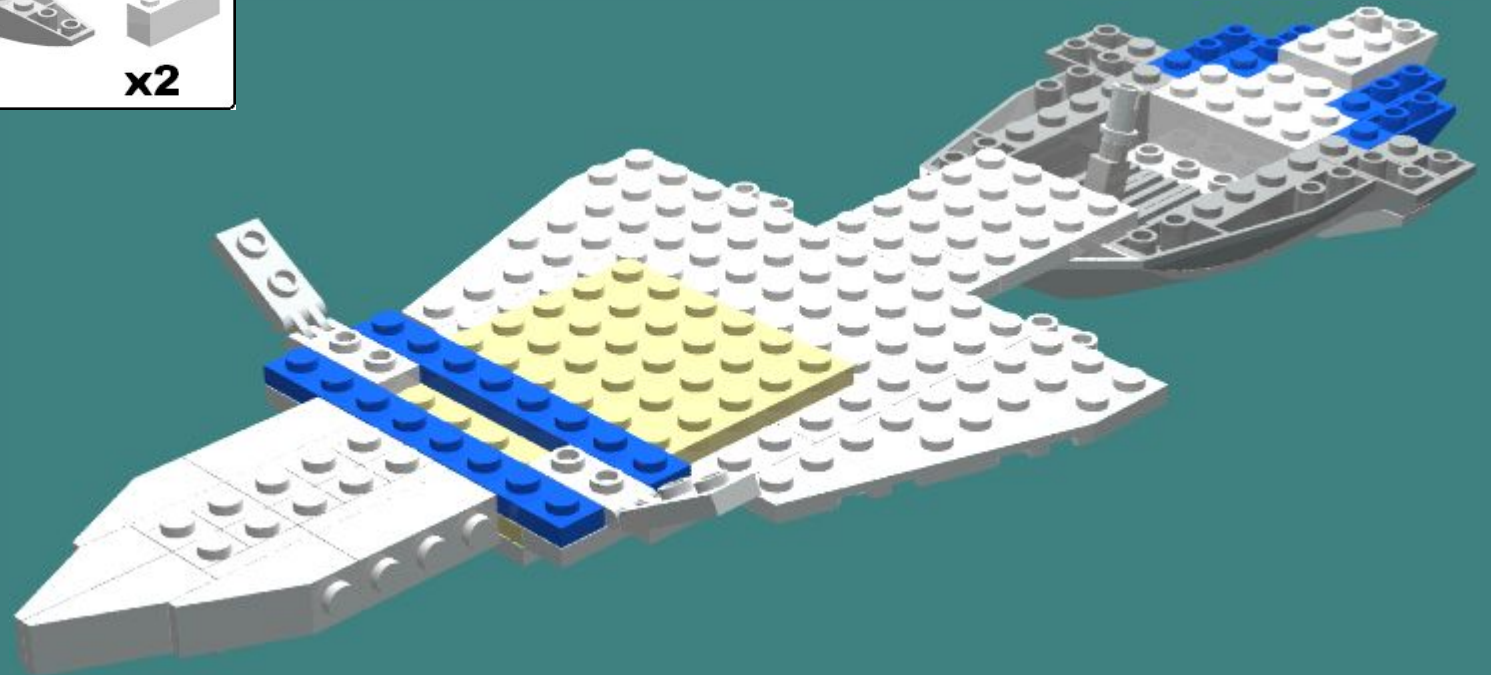
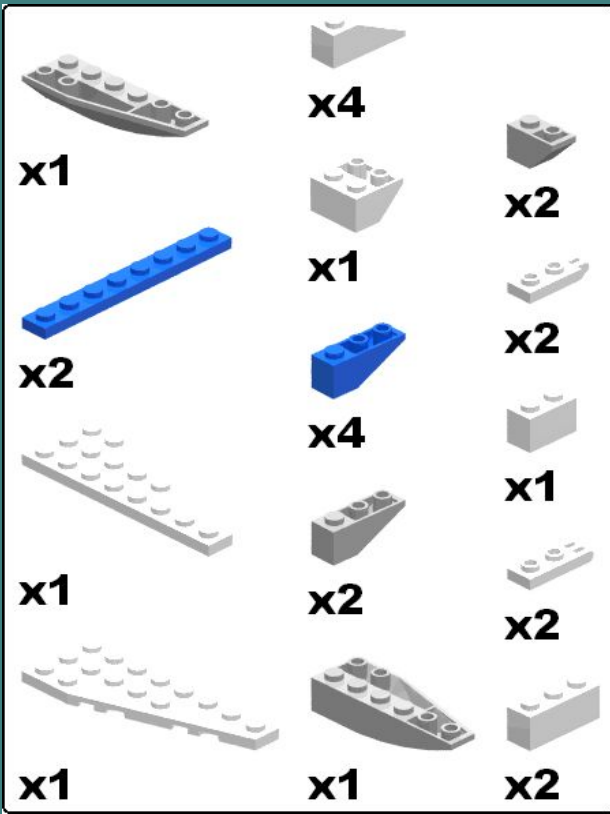
1



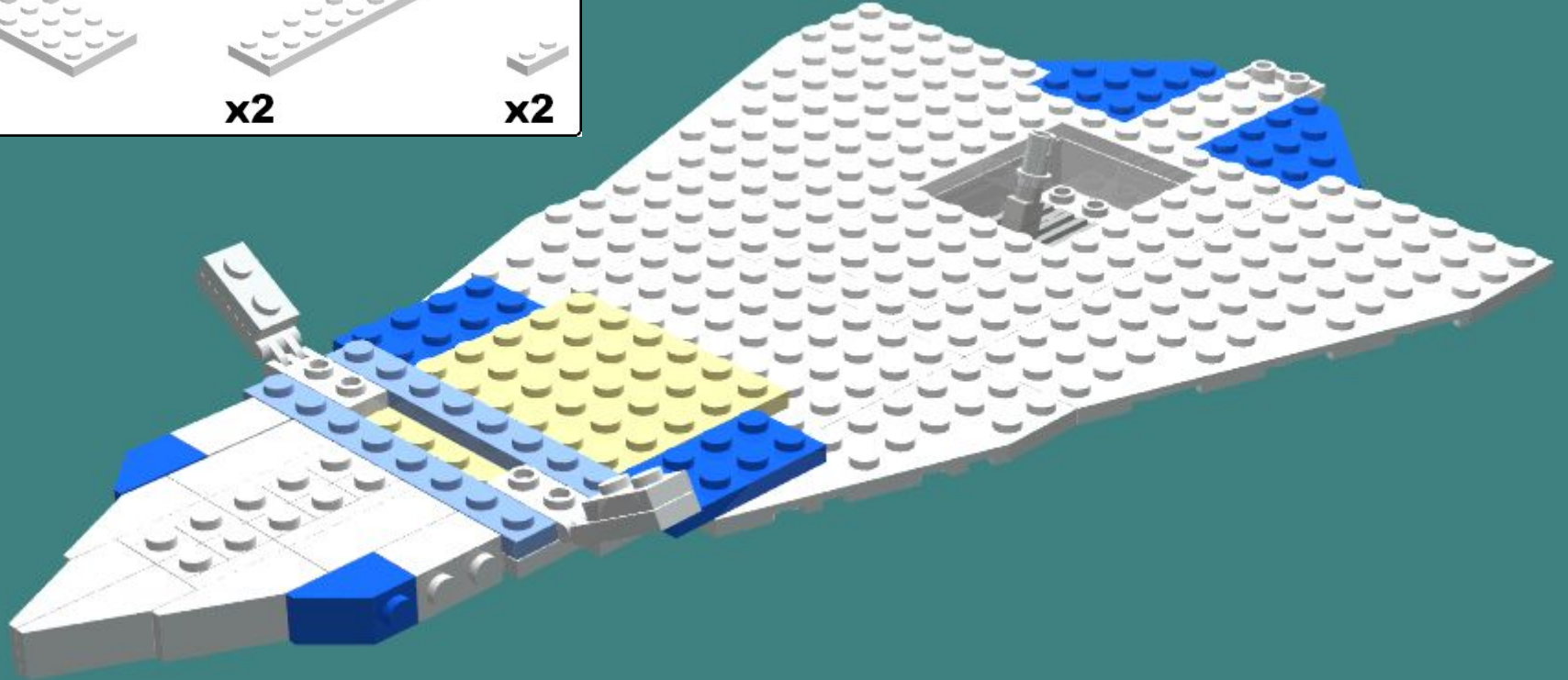
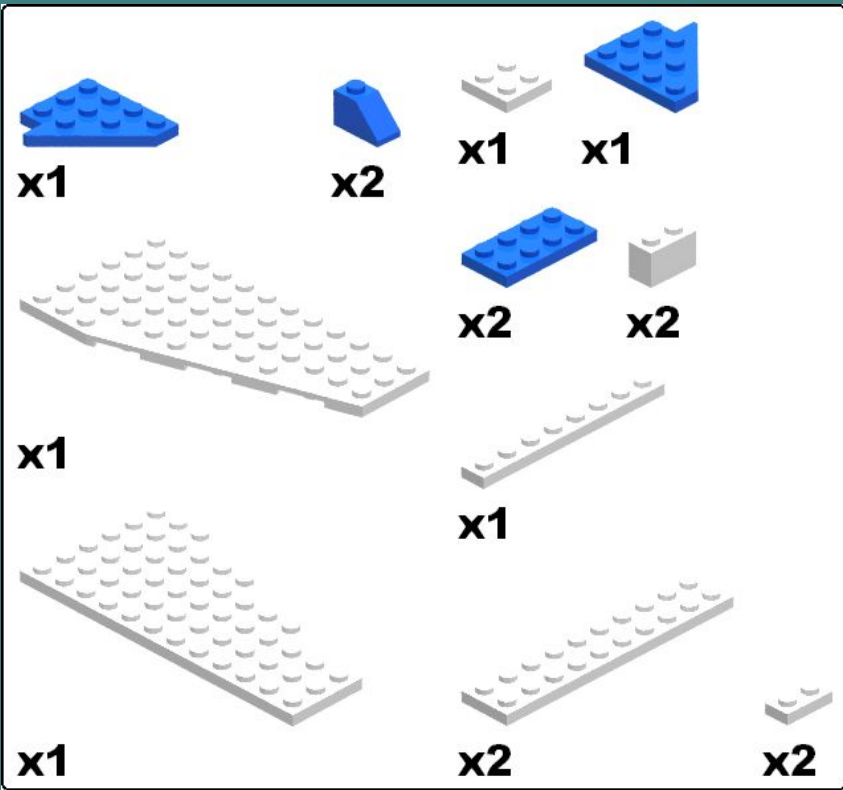
2



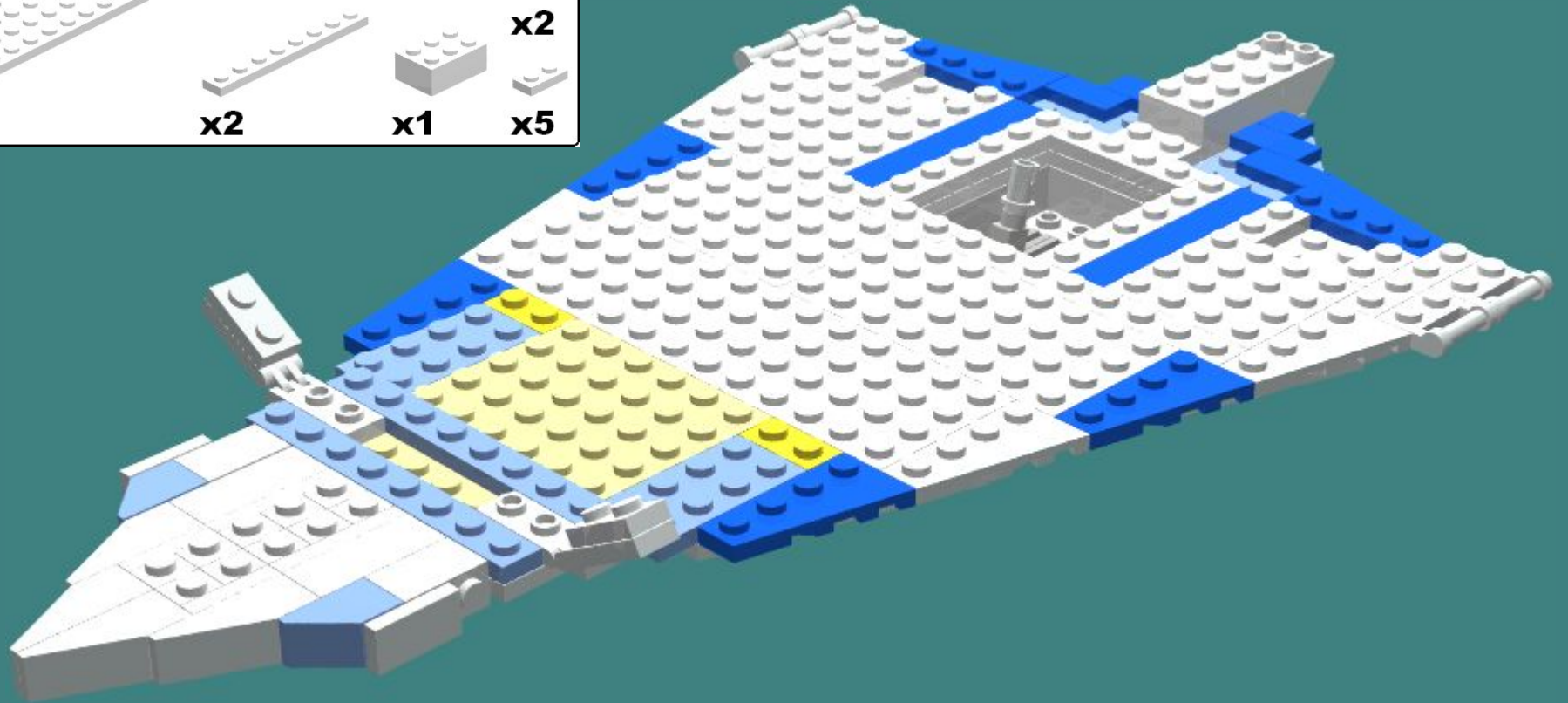
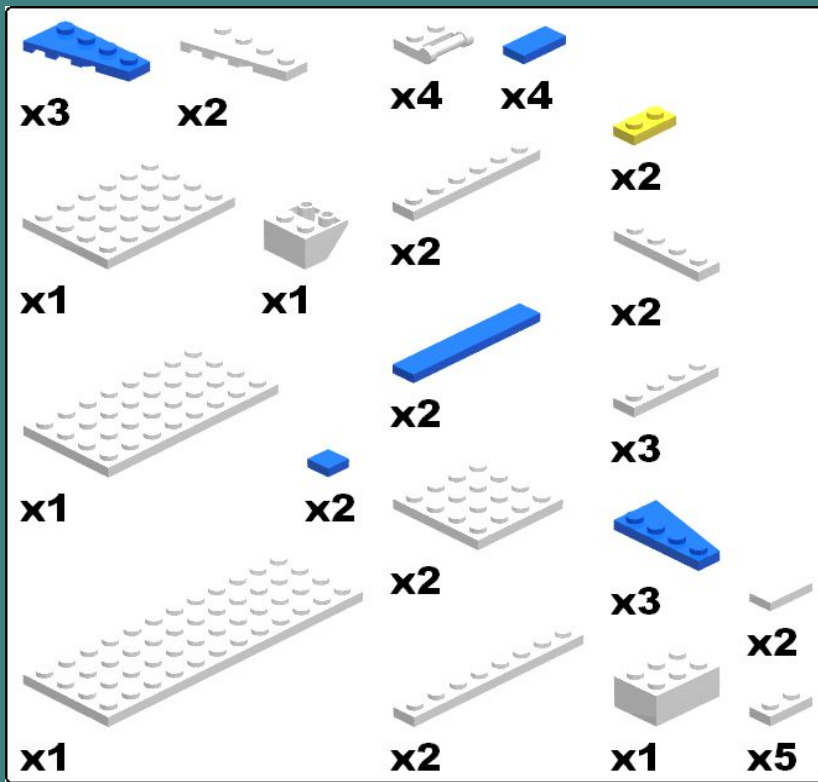
4



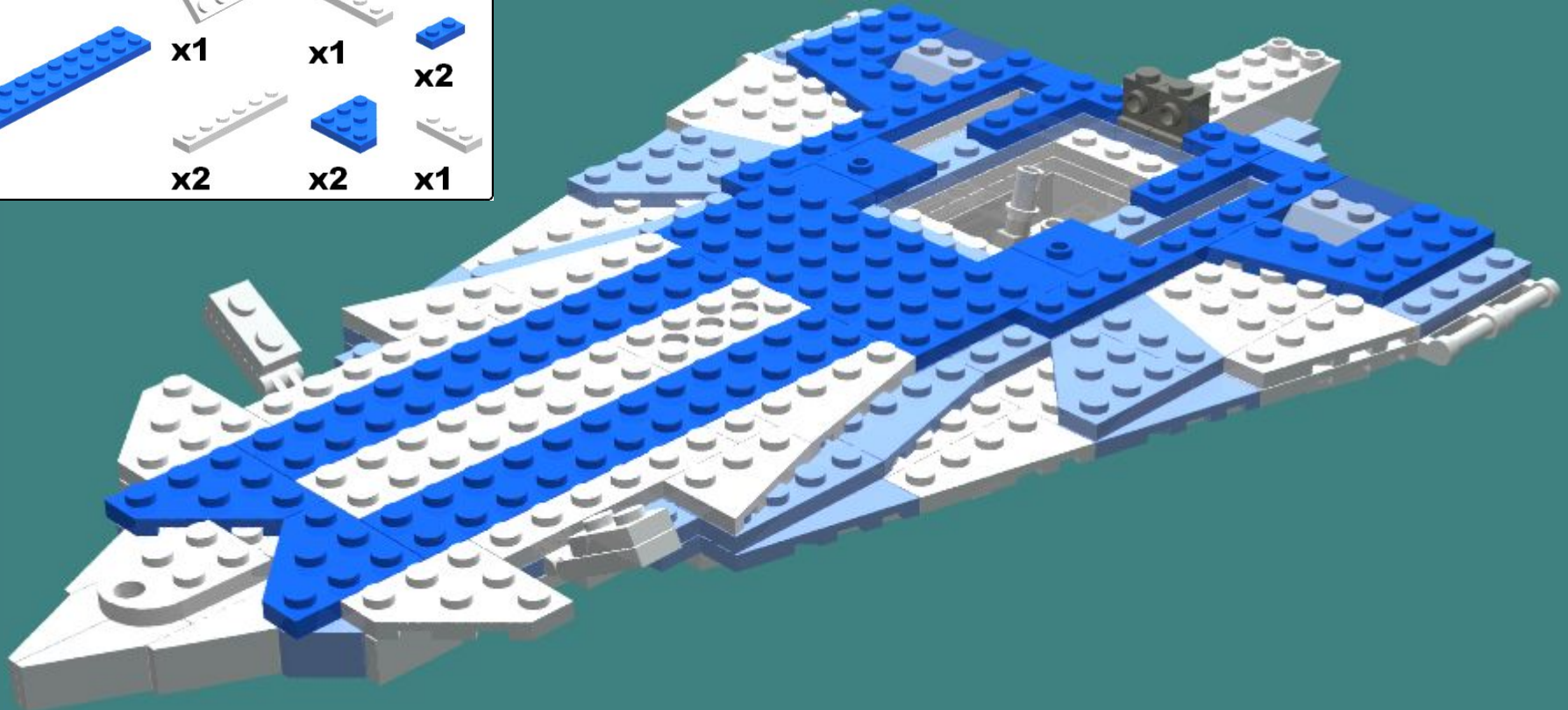
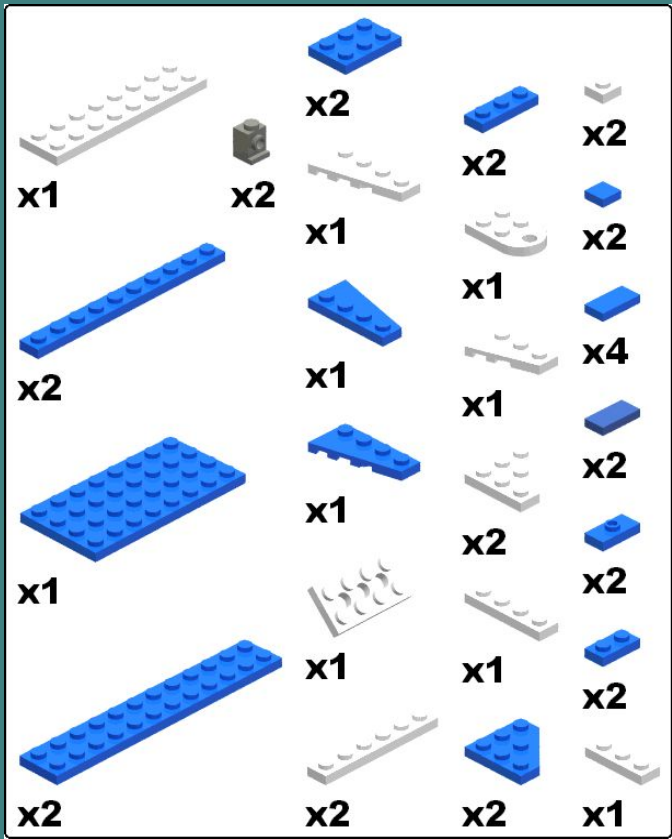
5



6

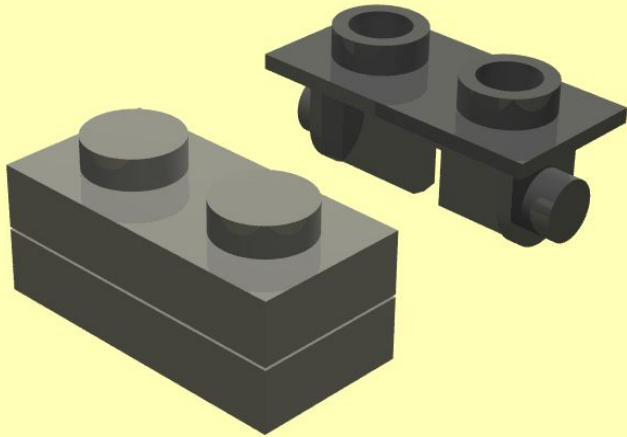


8




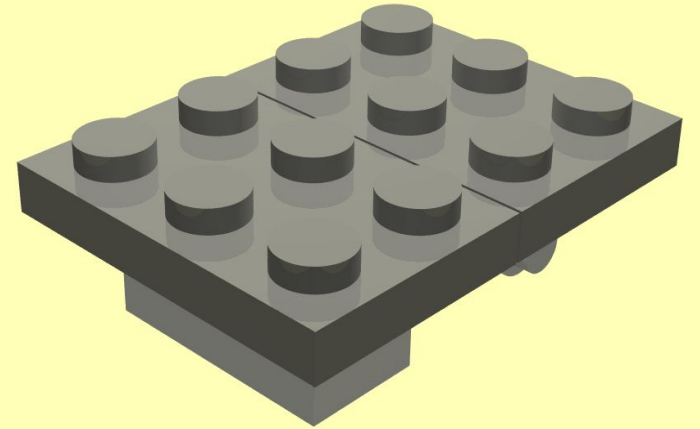
1

-  x2
-  x1







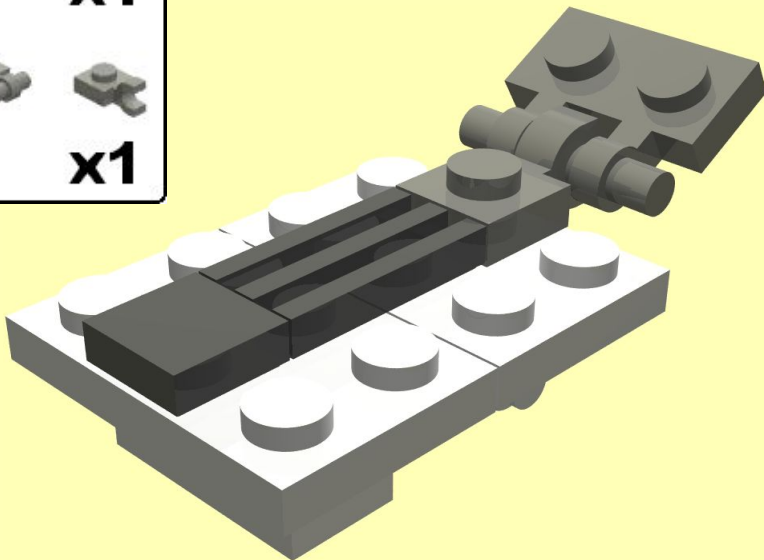
2

-  x2





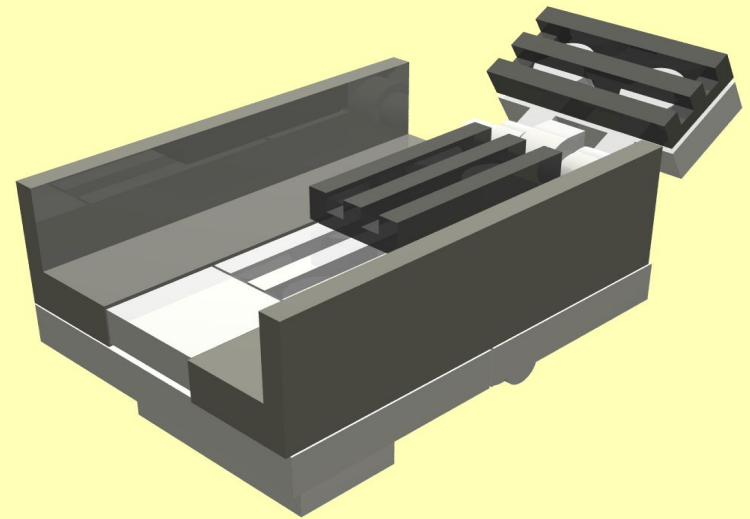
3

-  x1
-  x1
-  x1
-  x1


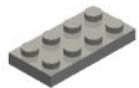





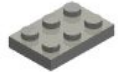


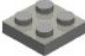

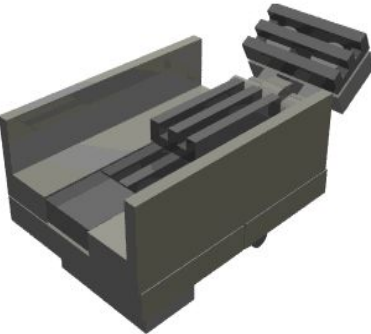







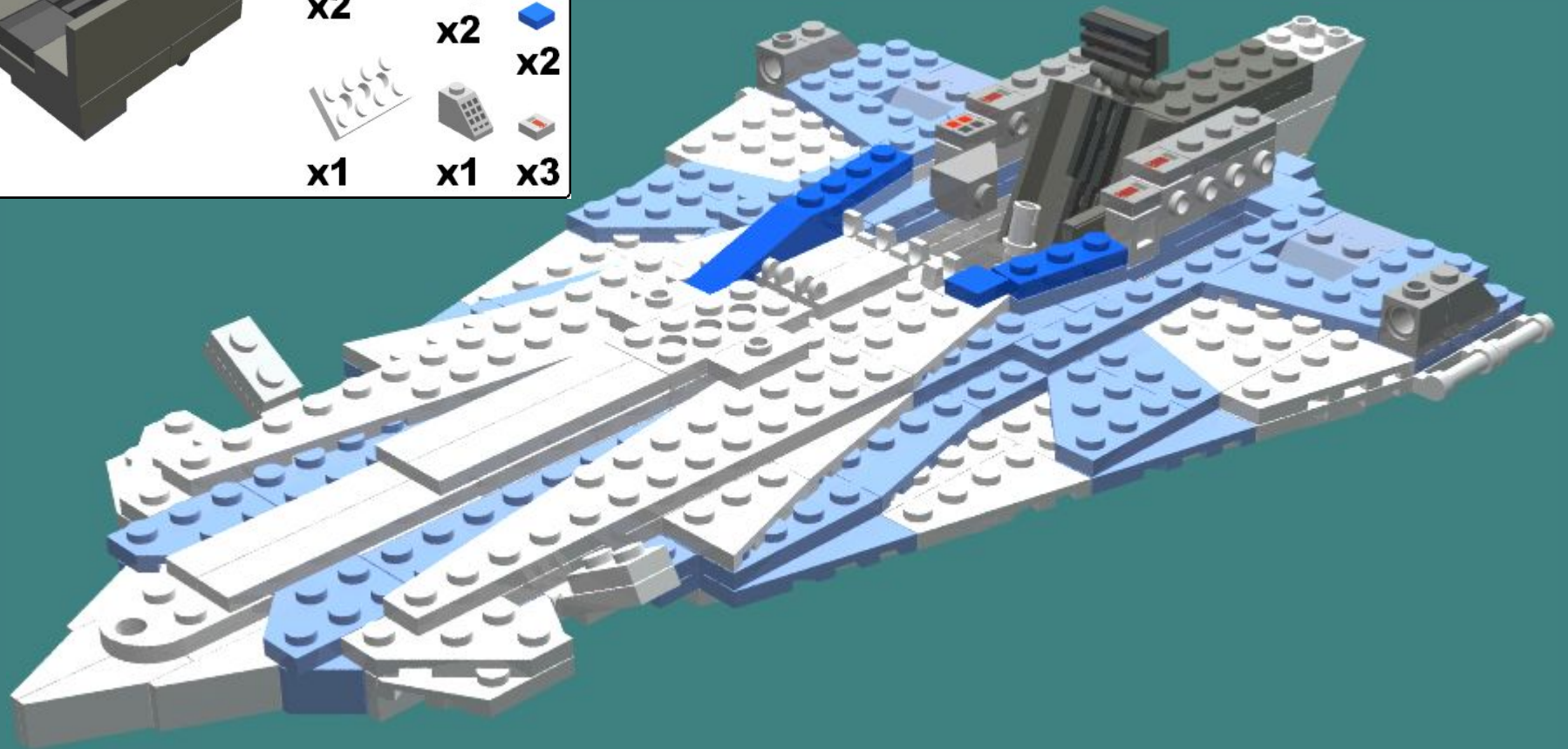
4

-  x2
-  x2


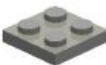















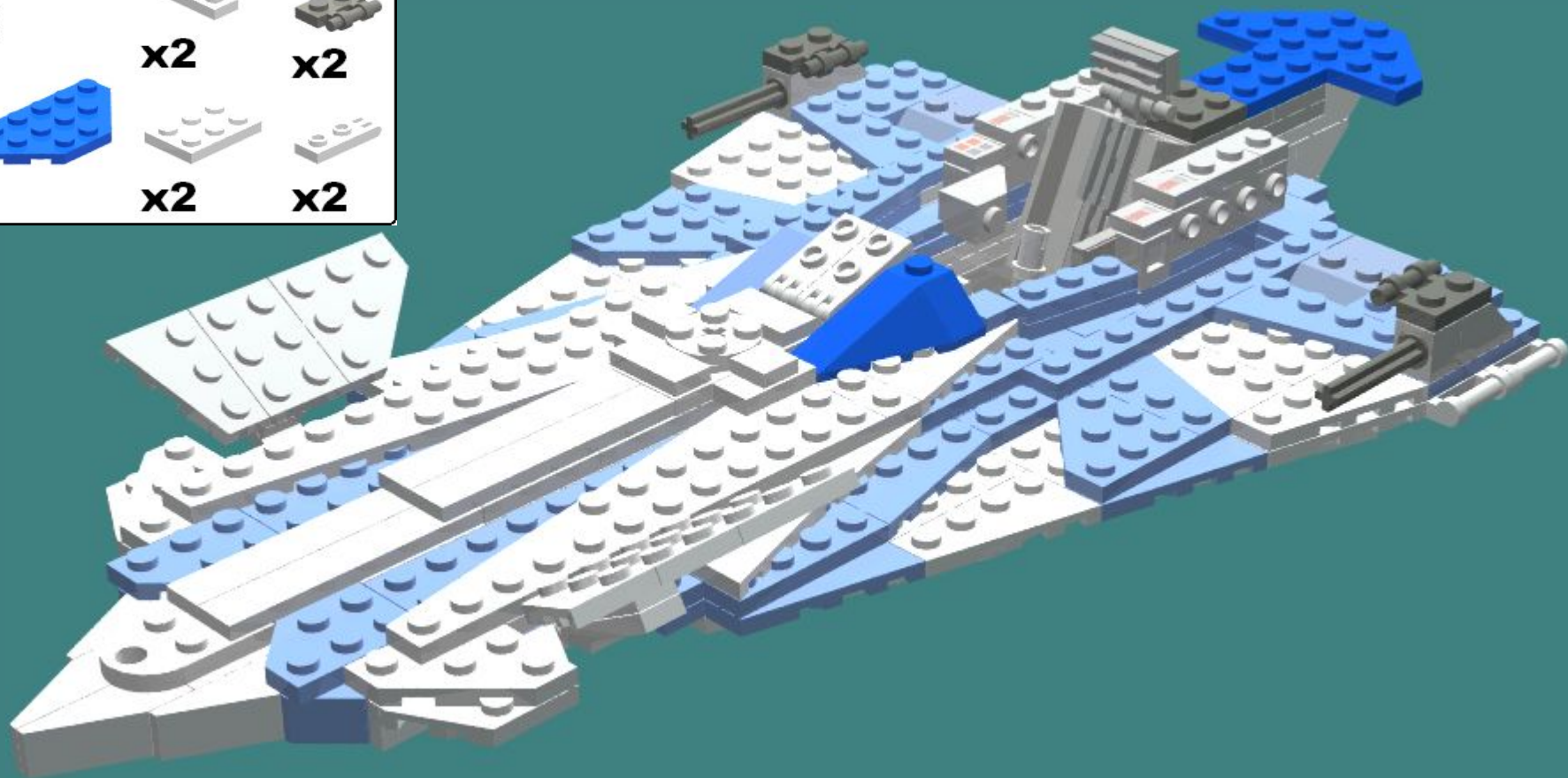
10

				x2	
x1	x1	x2		x1	
			x2		x2
x2	x1	x2		x1	
				x2	
x1				x1	x2
				x1	
				x1	x3

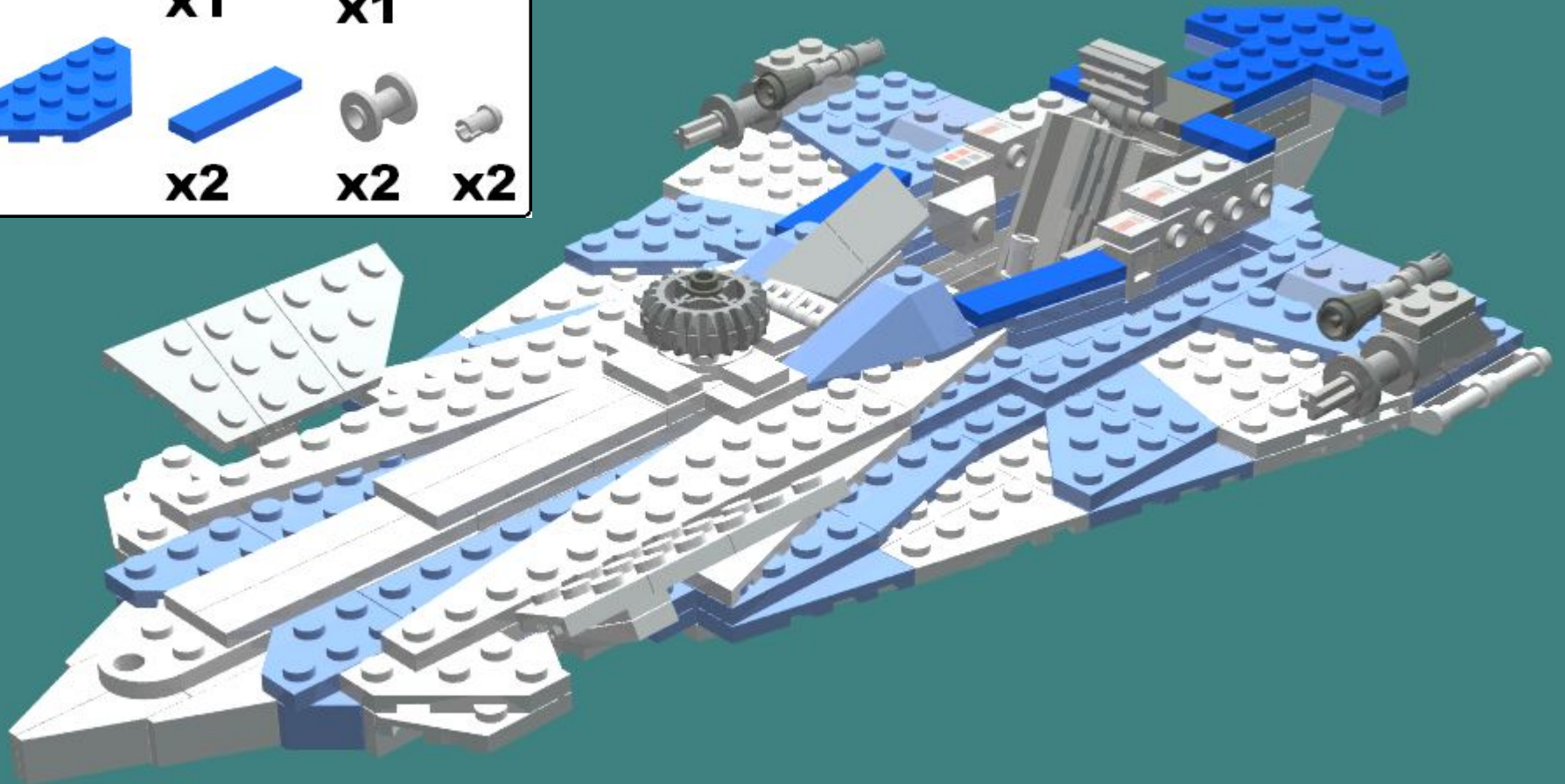
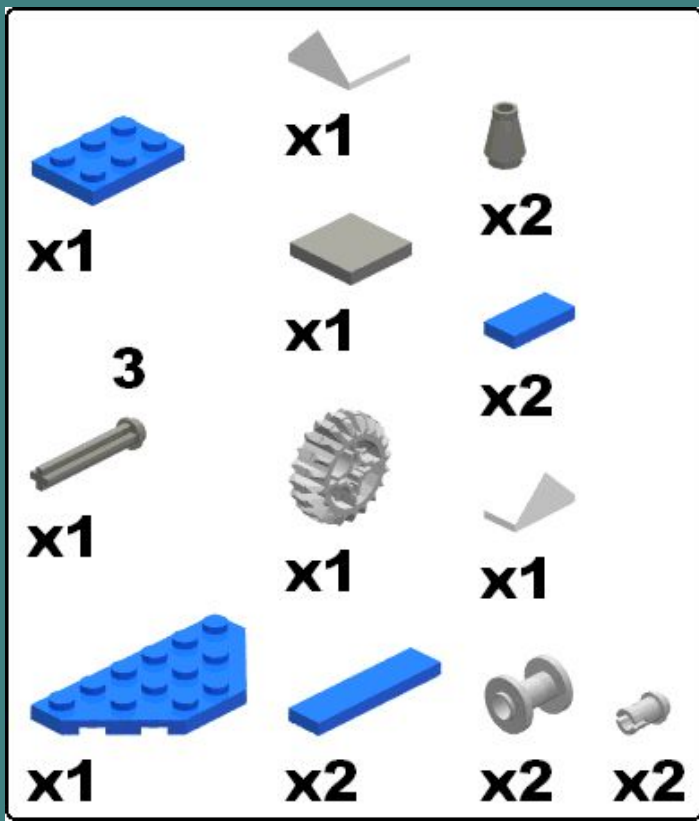


11








 x1	 x1	 x2
 x1	 x1	 x2
 3	 x1	 x1
 x2	 x2	 x2
 x1	 x2	 x2

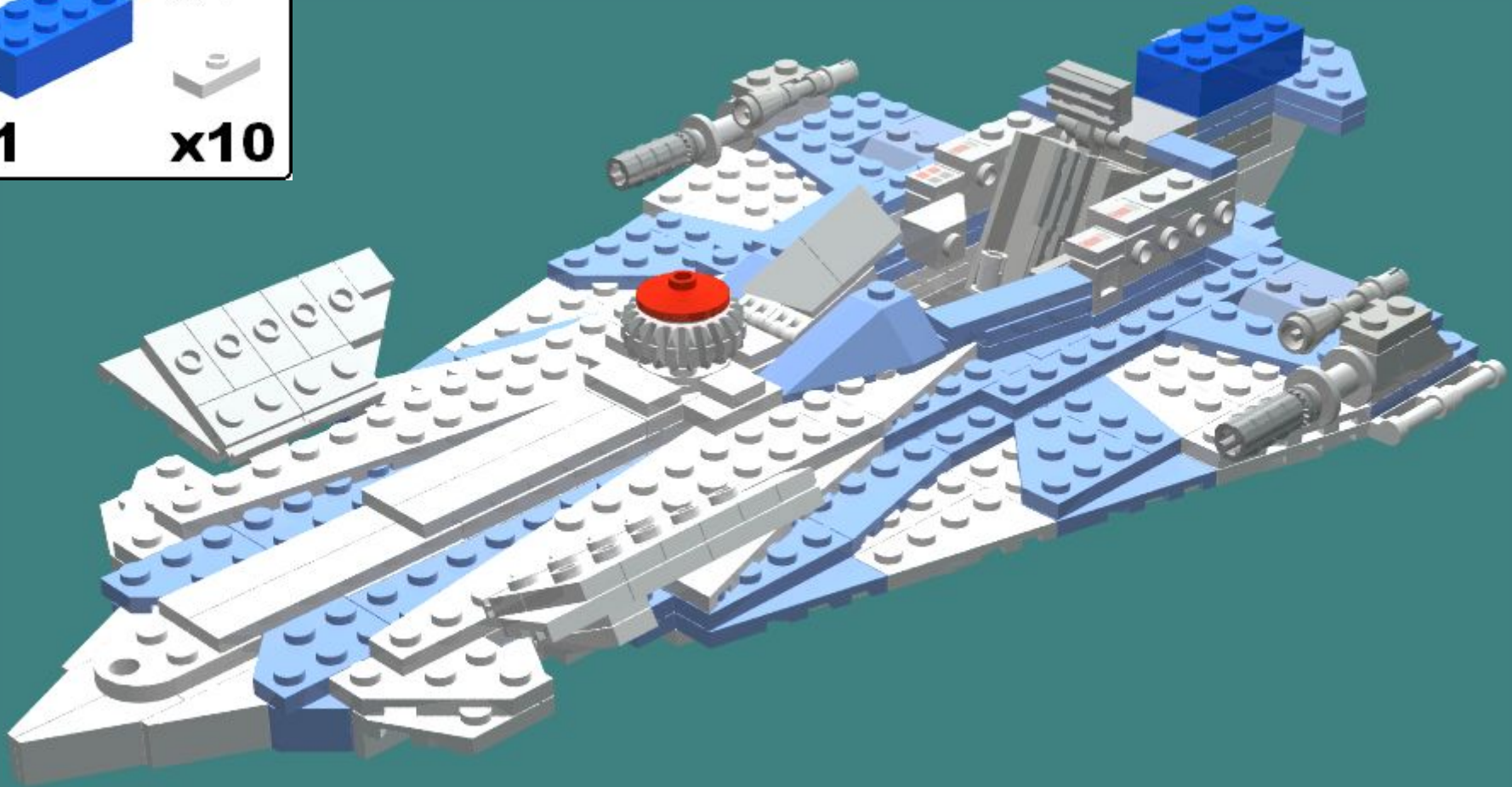


12











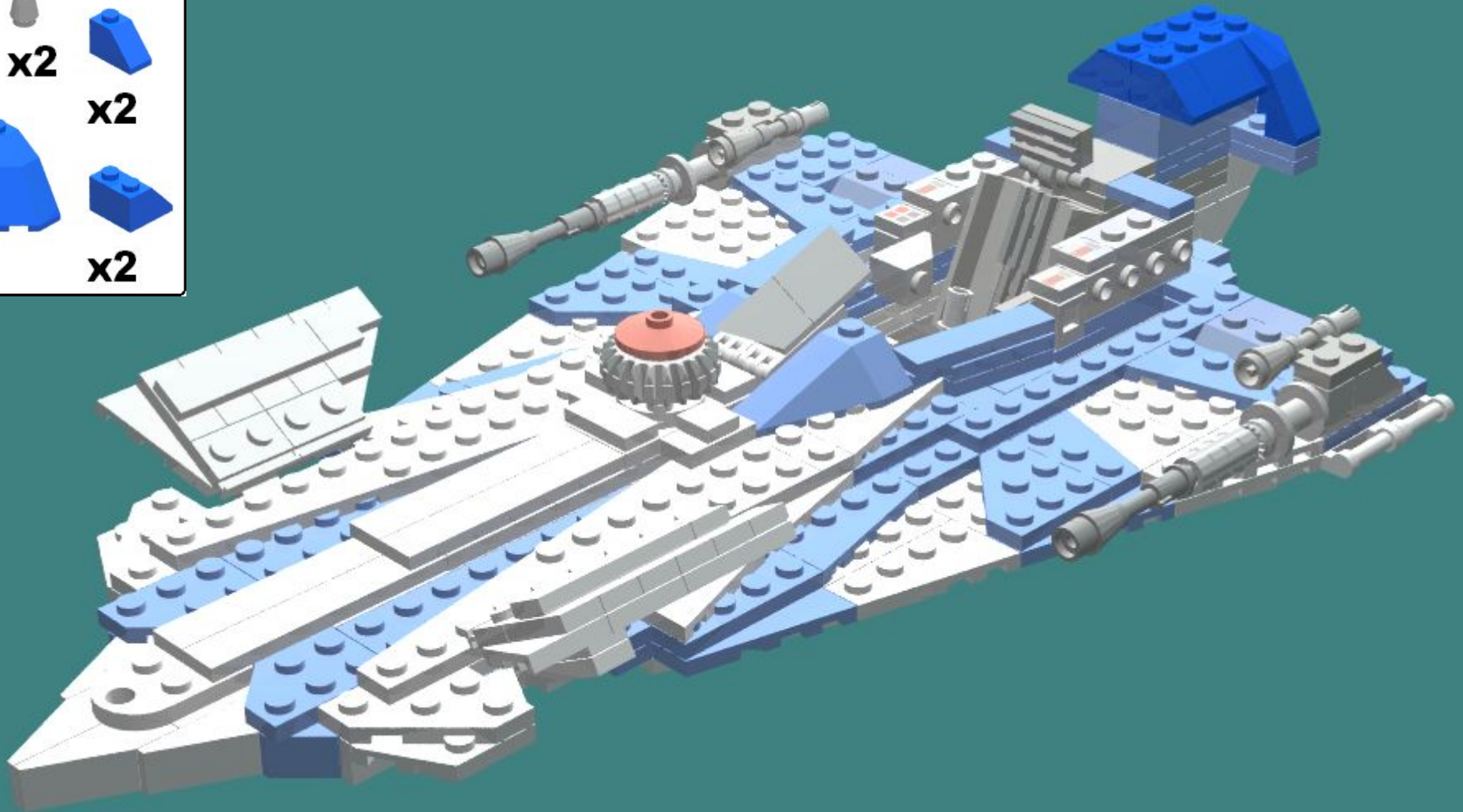
13

	
x4	x2
	
x2	x2
	
x1	x1
	
	x10



14

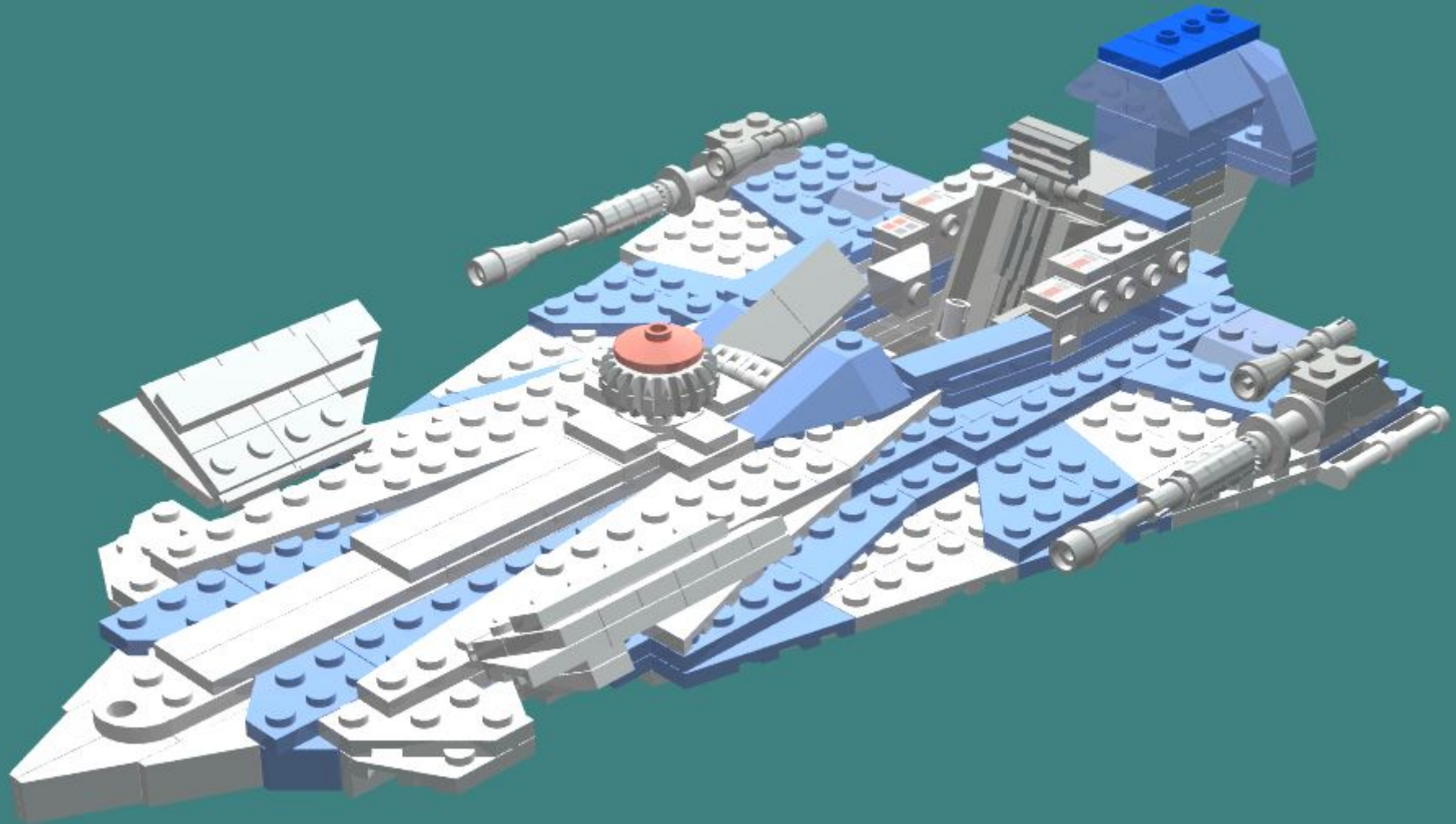
		
x2	x2	
		
x2		
		
x2	x2	x2
		
x2	x2	



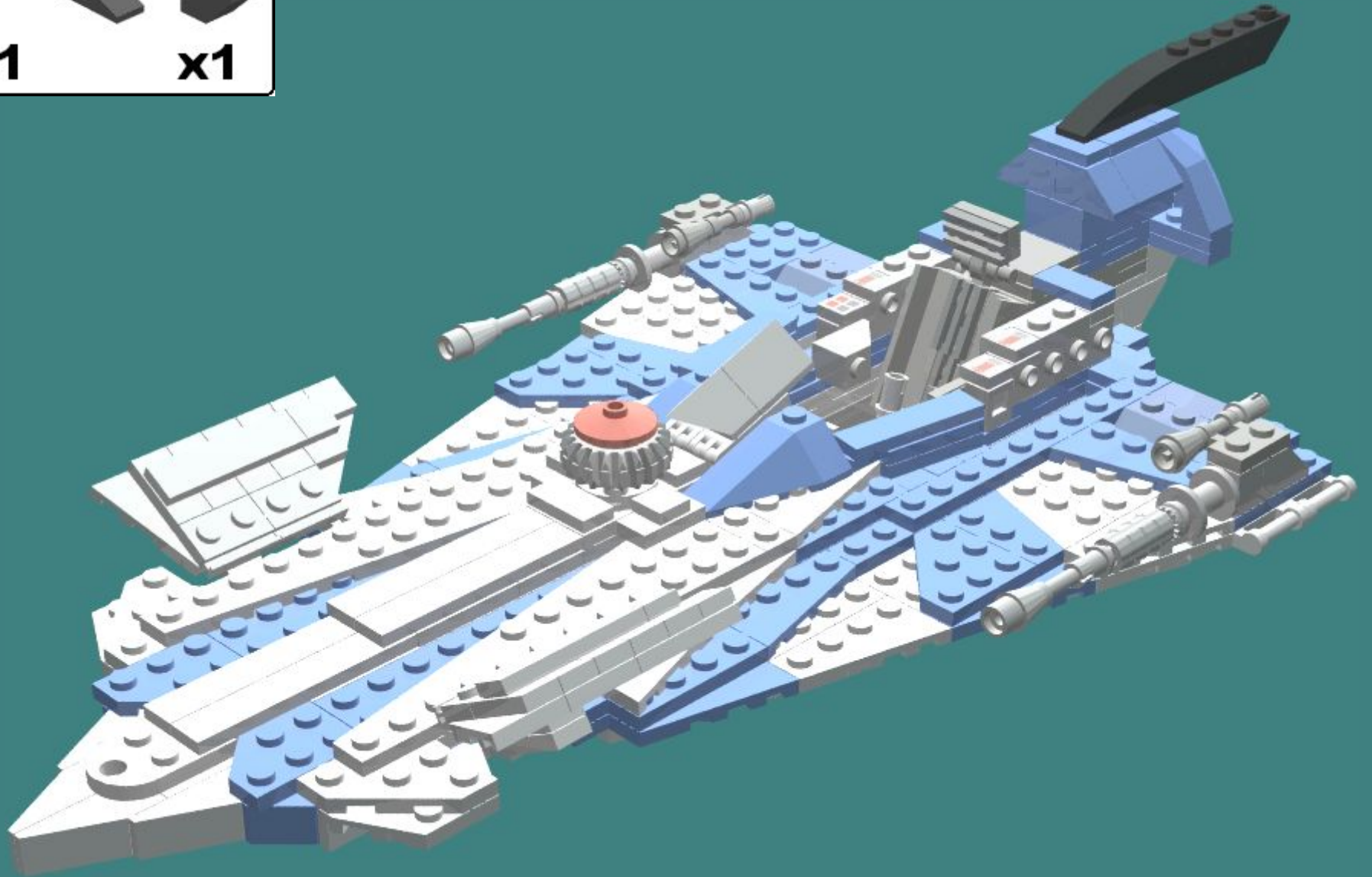
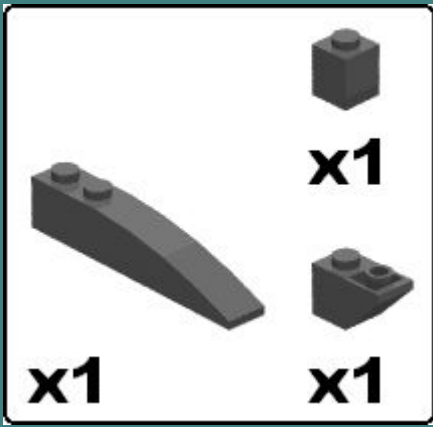
15


x1

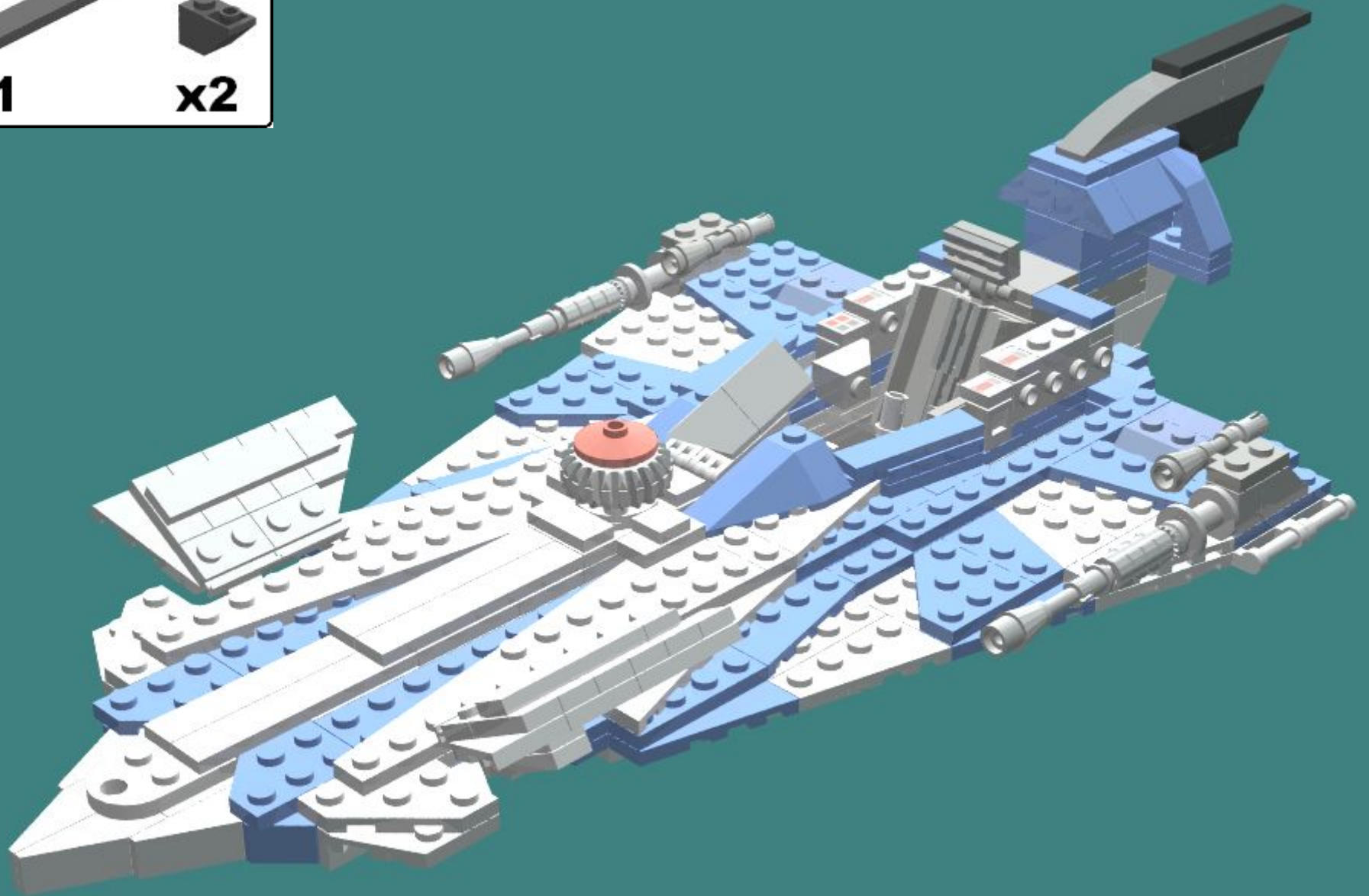
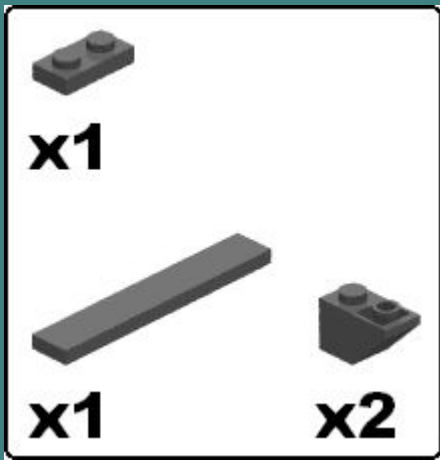
x3



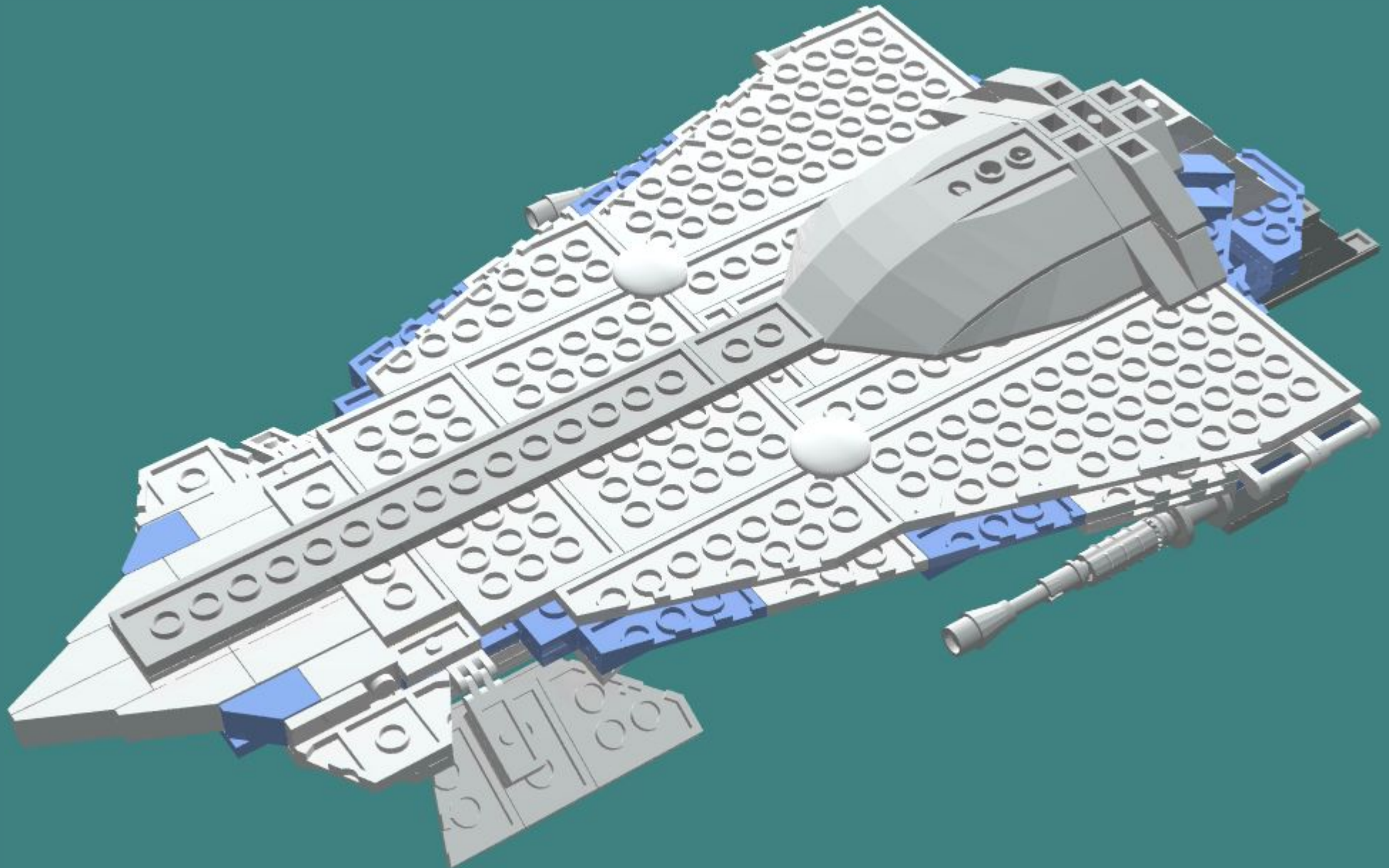
16








17

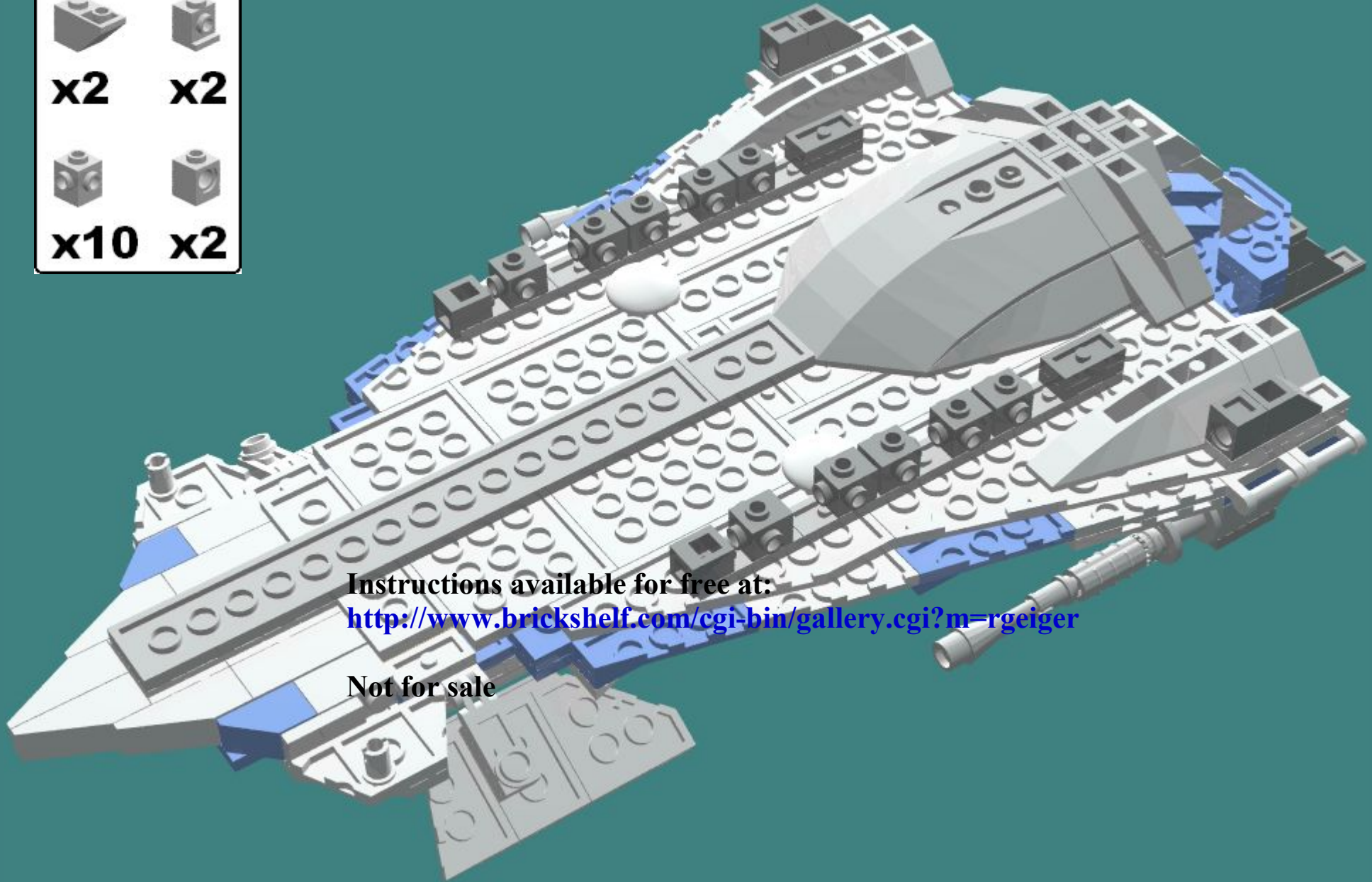


18



20

















	
x4	
	
x2	x2
	
x10	x2

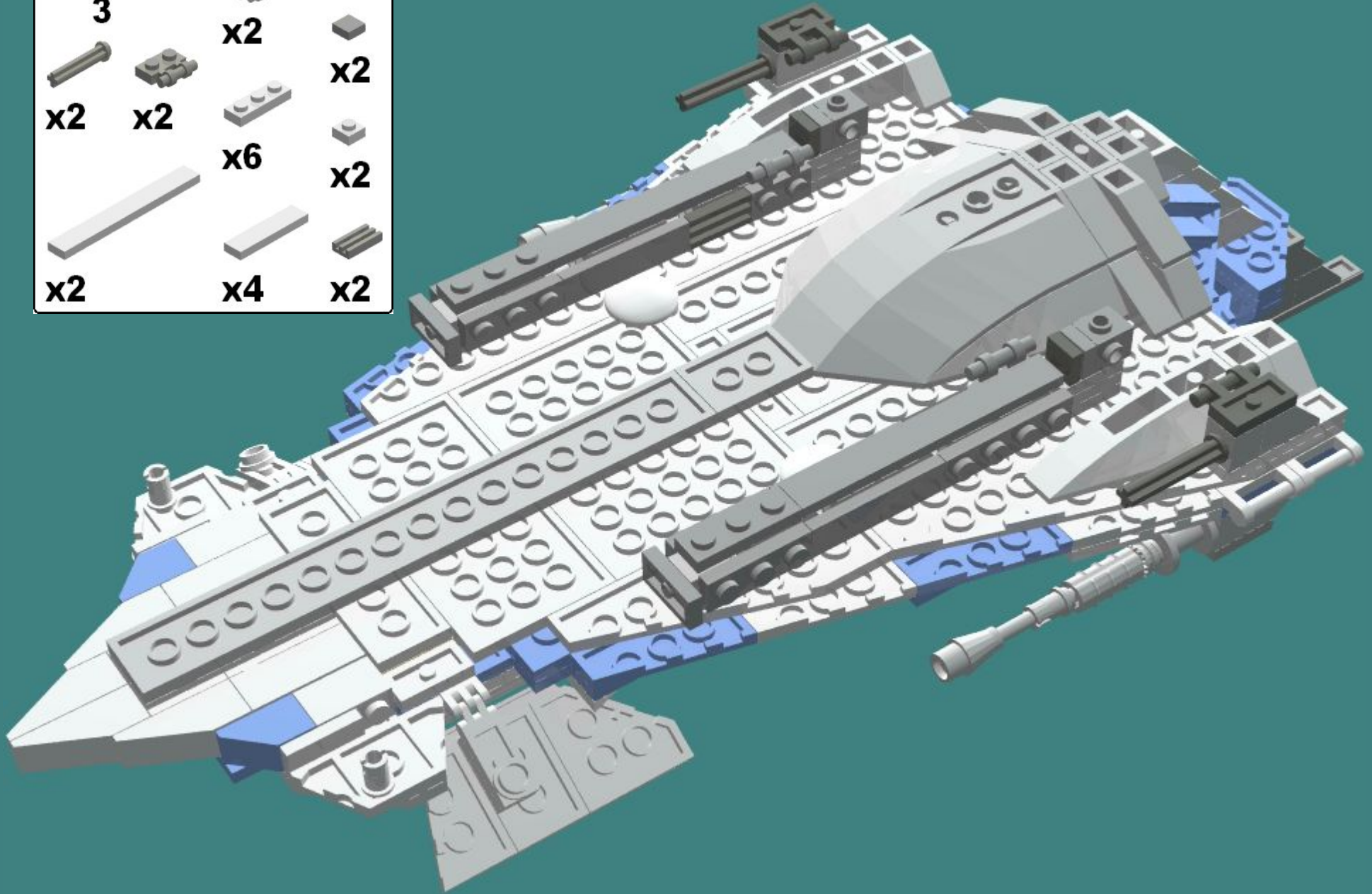


Instructions available for free at:
<http://www.brickshelf.com/cgi-bin/gallery.cgi?m=rgeiger>

Not for sale

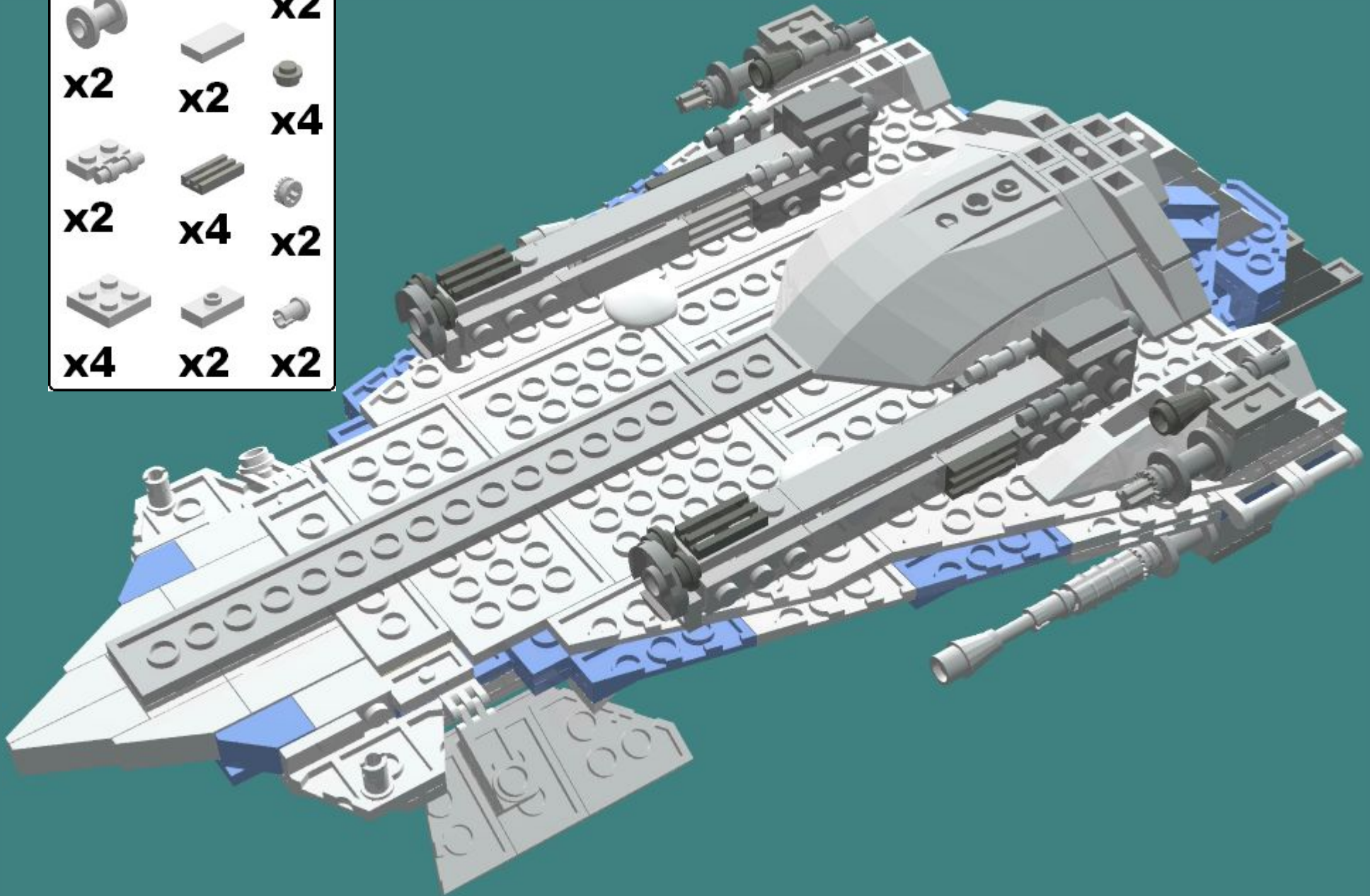
21

- | | | |
|---|---|---|
|  |  |  |
| x2 | x2 | x2 |
|  |  |  |
| 3 | x2 |  |
|  |  | x2 |
| x2 | x2 |  |
|  |  | x6 |
| x2 |  | x2 |
| |  | x2 |
| |  | x2 |
| |  | x2 |









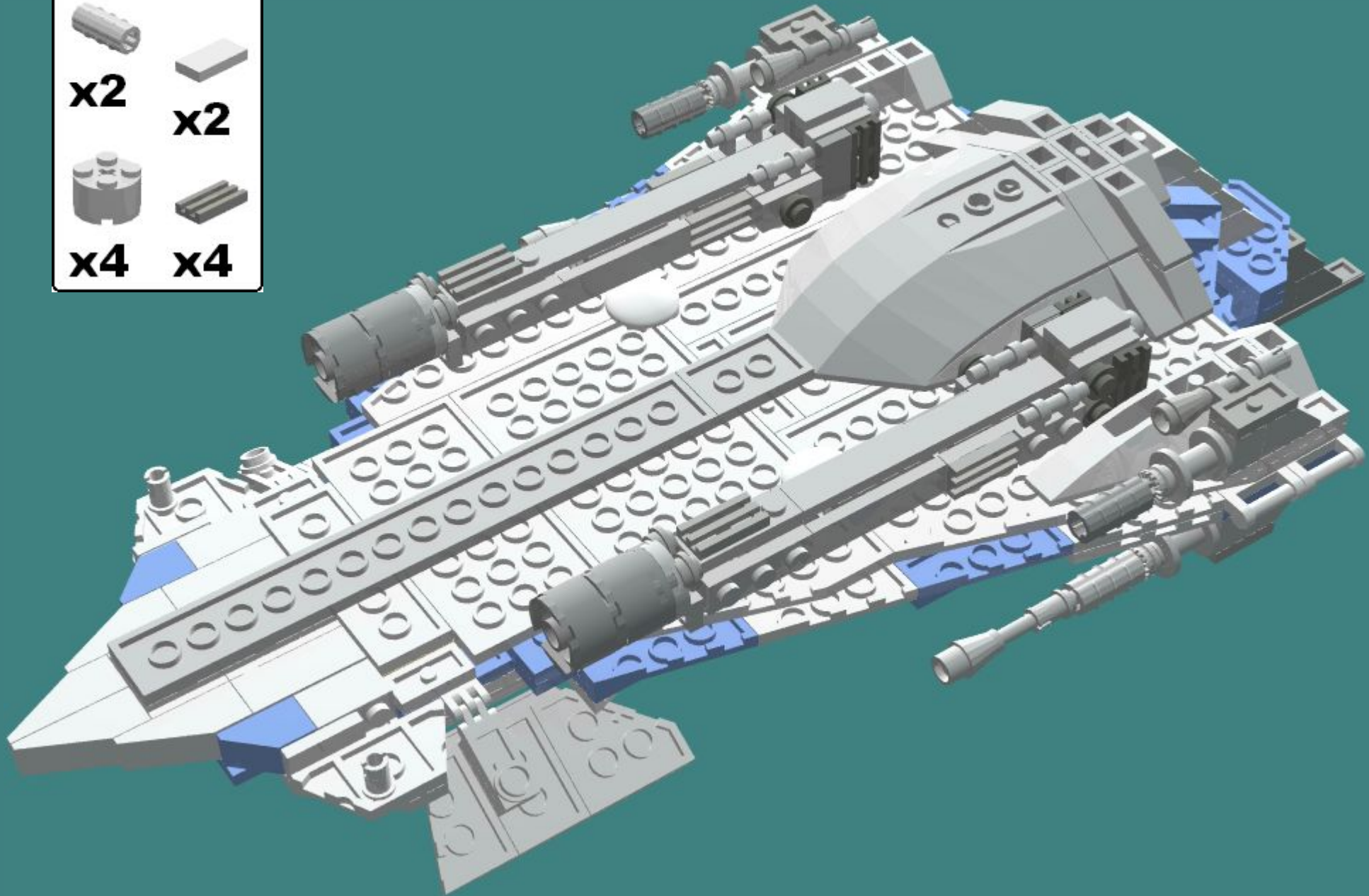
22

		
x2	x2	x2
		
x2	x2	x4
		
x2	x4	x2
		
x4	x2	x2



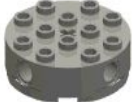





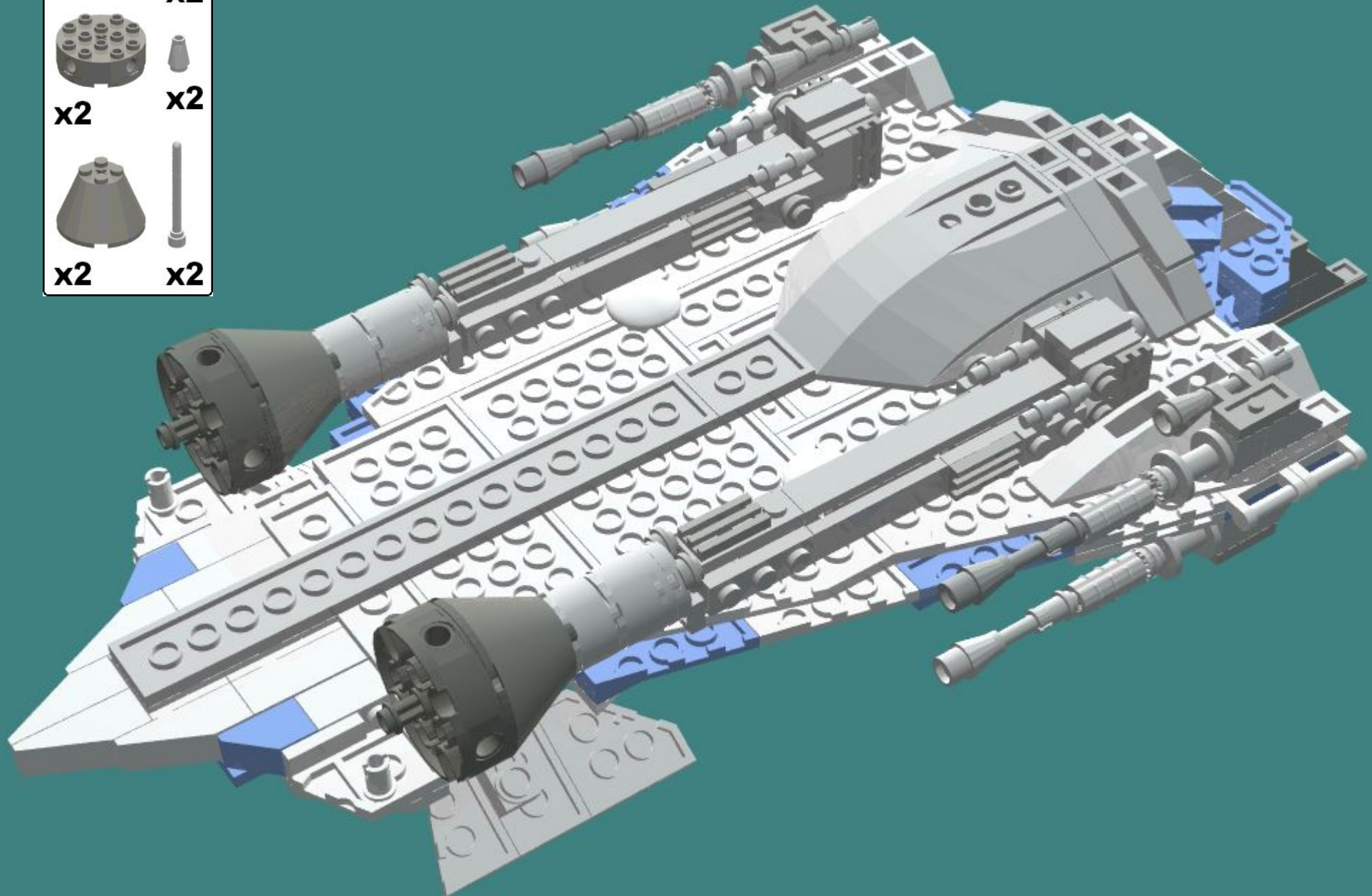
23

	
x2	x6
	
x2	x2
	
x4	x4

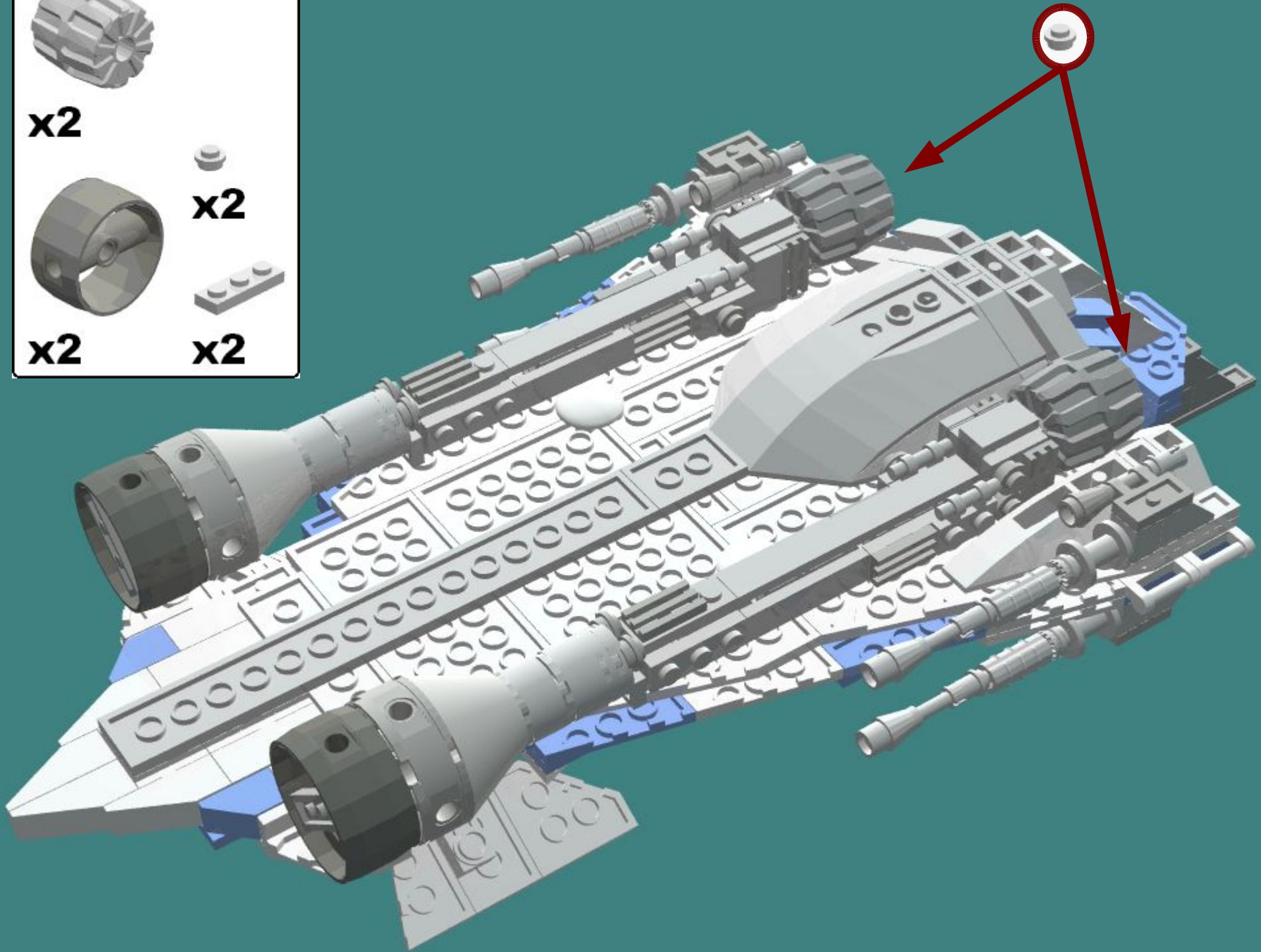
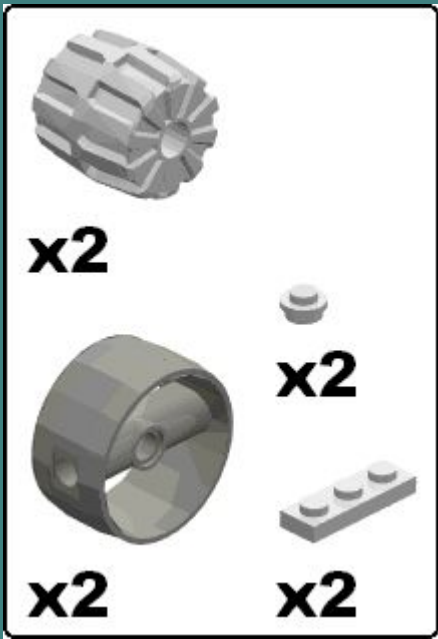


24

- | | | | |
|---|---|---|----|
|  | 3 |  | |
| x2 | | x2 | |
|  | |  | x2 |
| x2 | | x2 | |
|  | |  | x2 |
| x2 | | x2 | |



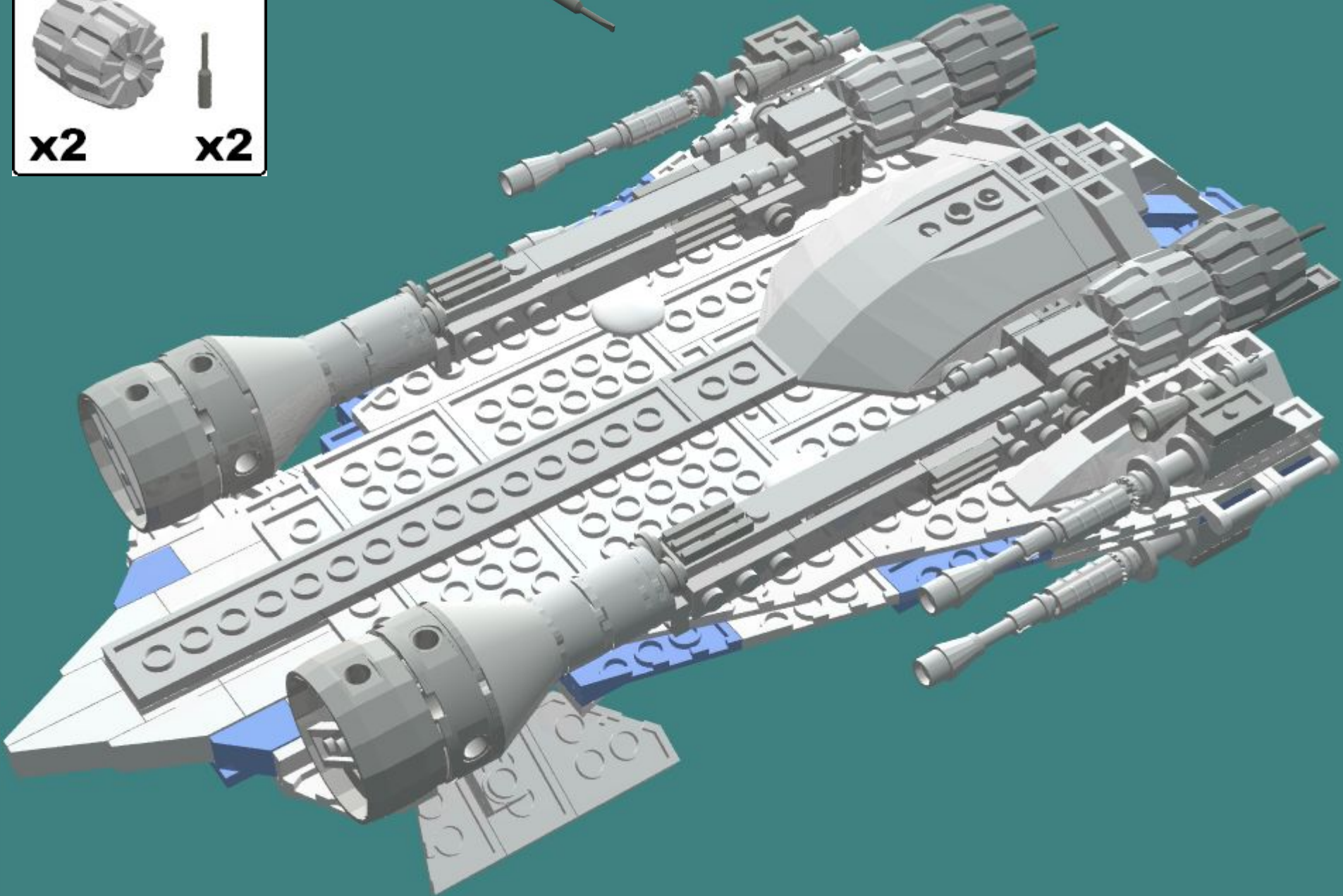
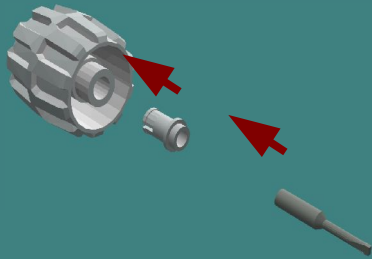
25

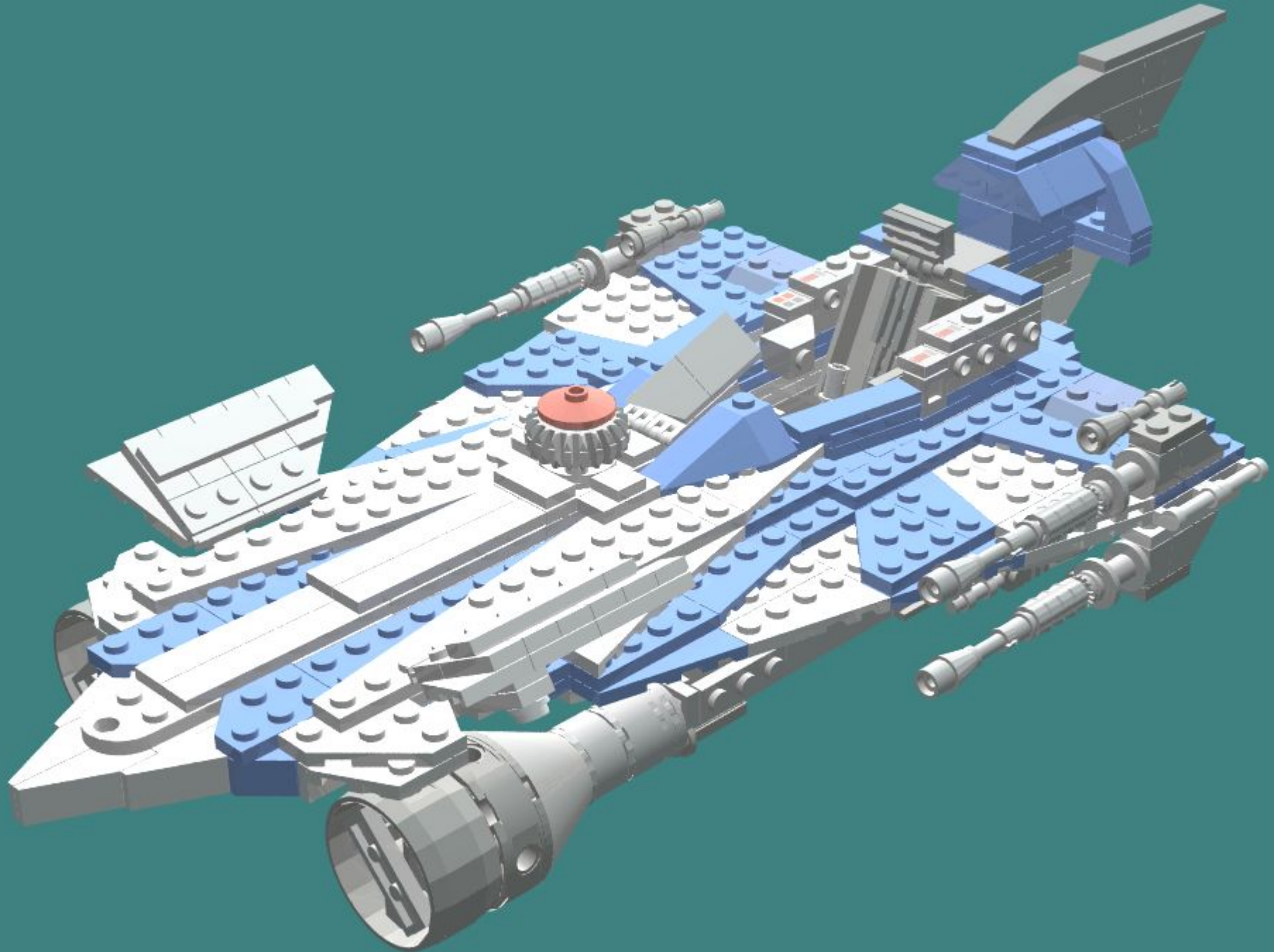


26

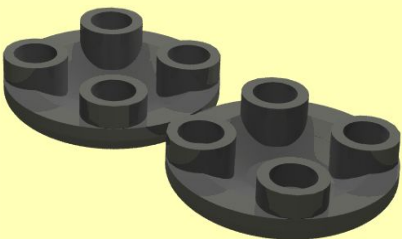


A parts list box with a white background and a black border. It contains three items: a small grey pin at the top left with the text 'x2' below it; a larger grey textured cylindrical piece in the middle left with the text 'x2' below it; and a small grey pin at the bottom right with the text 'x2' below it.

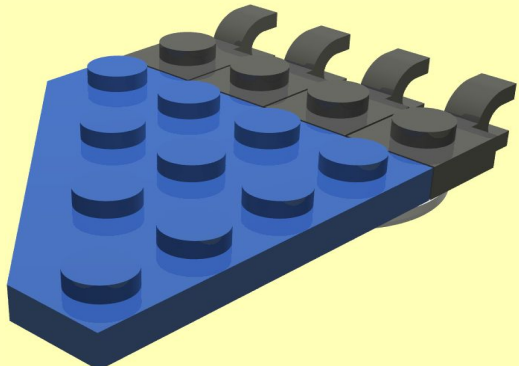




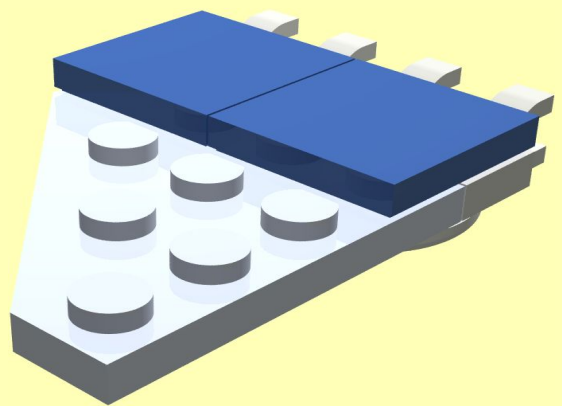
1



2



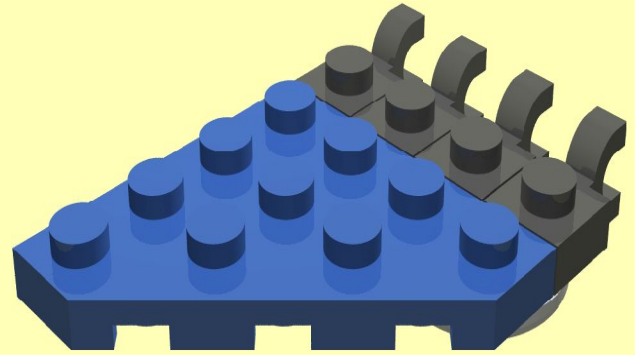
3



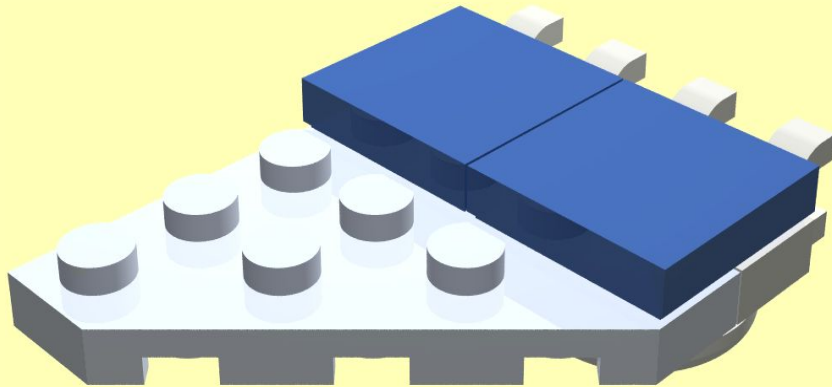
1



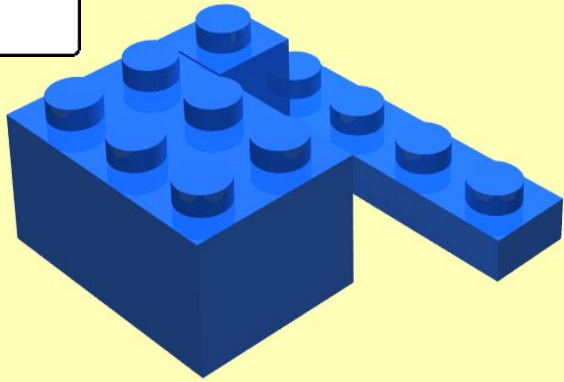
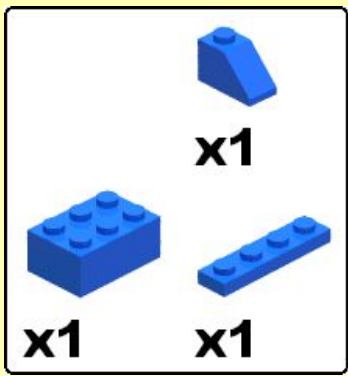
2



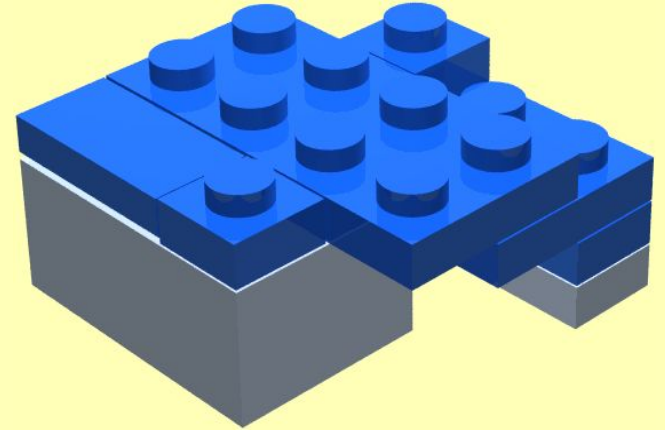
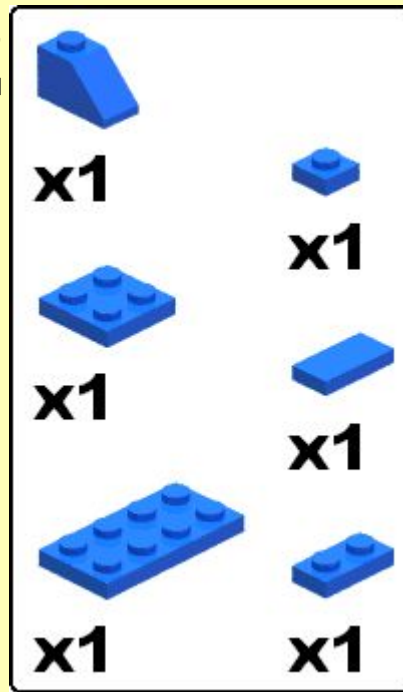
3



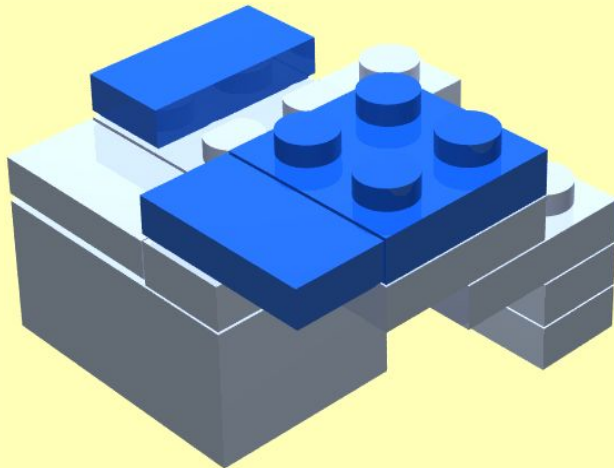
1



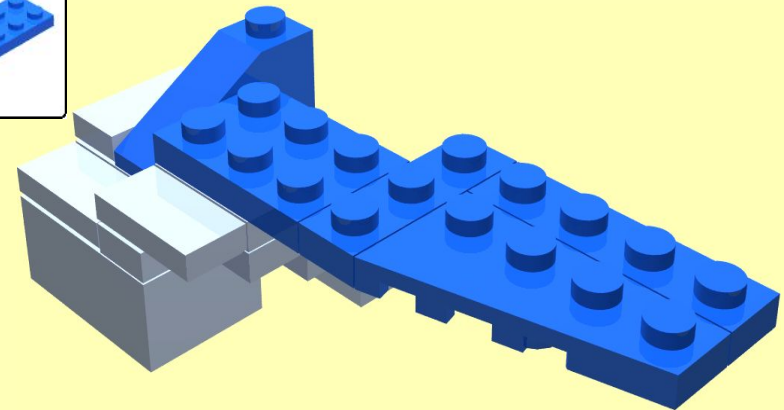
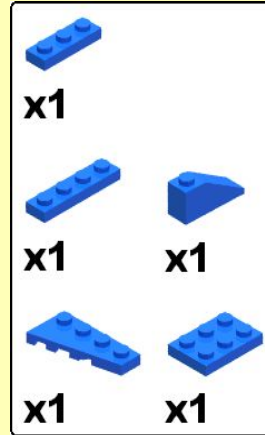
2



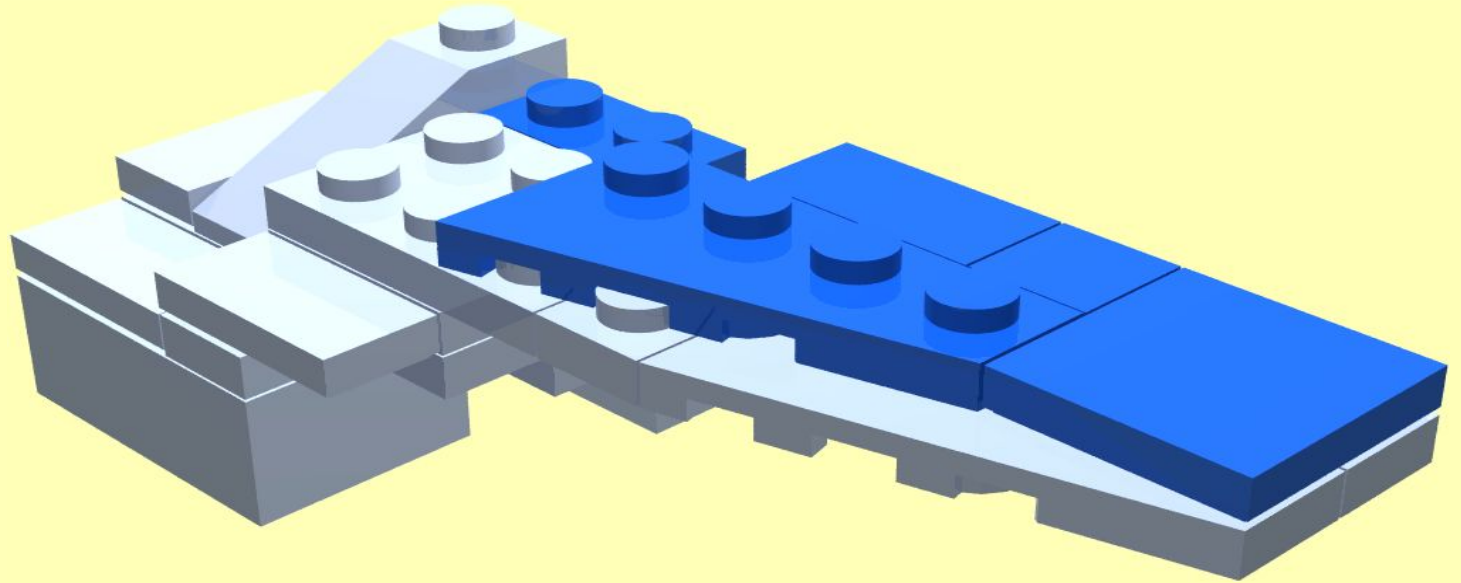
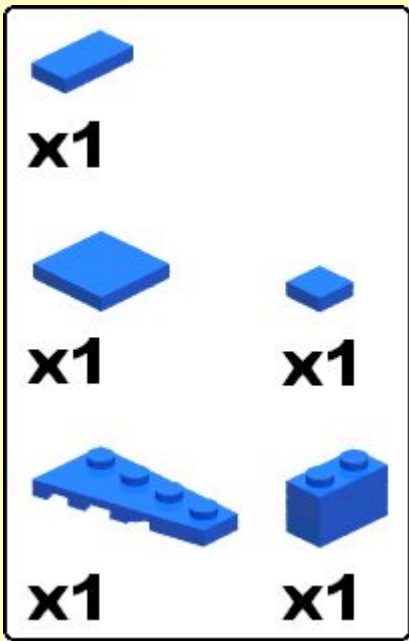
3



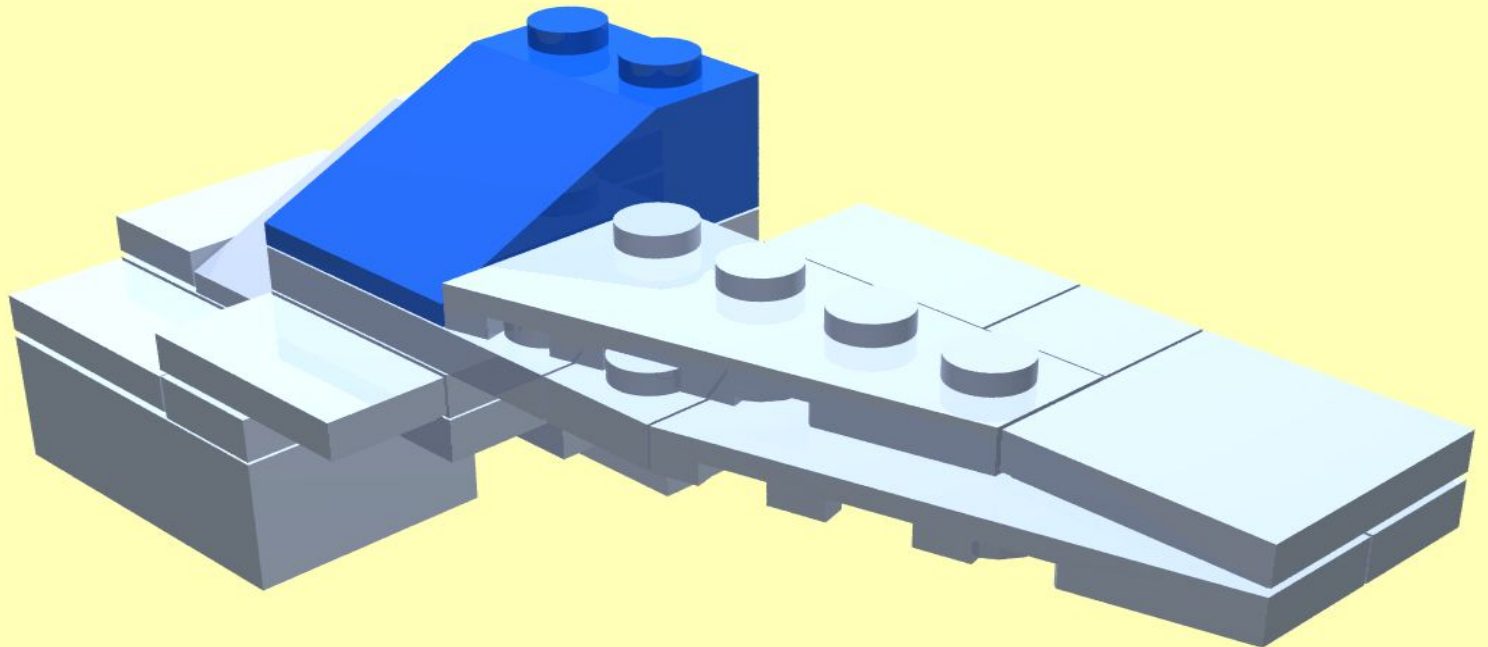
4

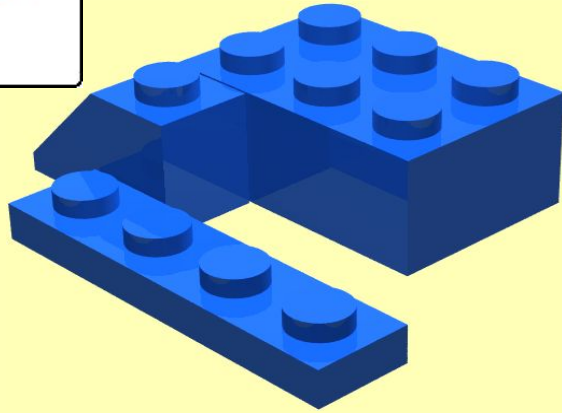
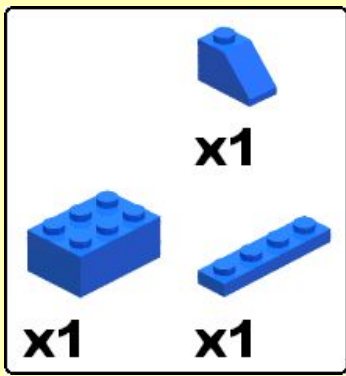
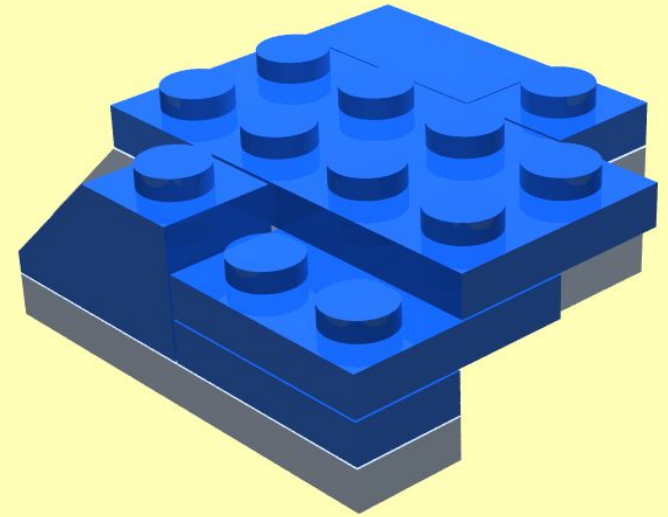
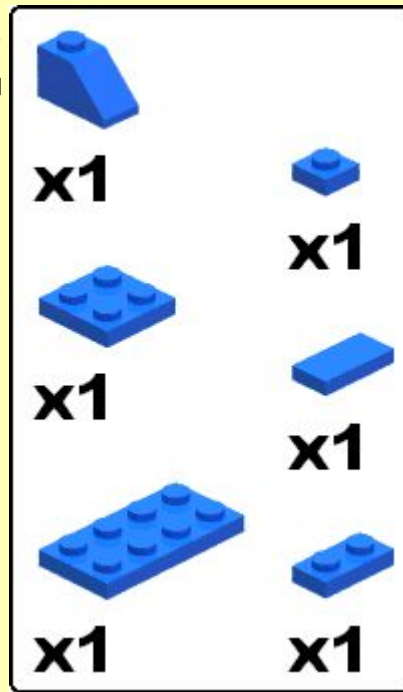
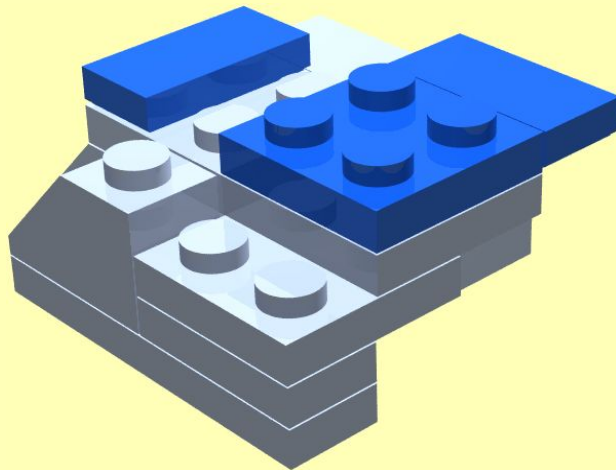
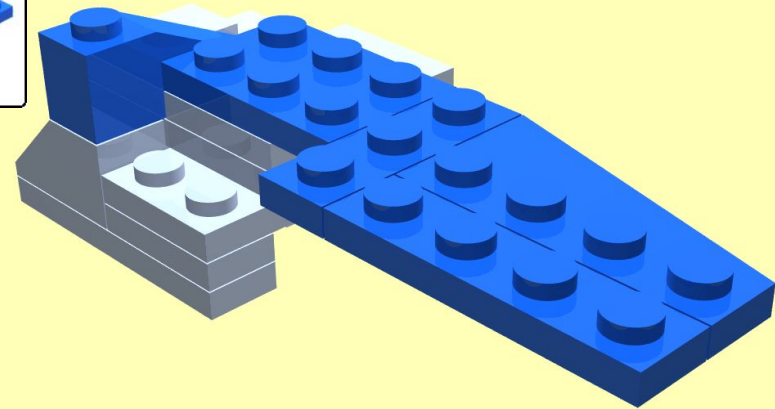
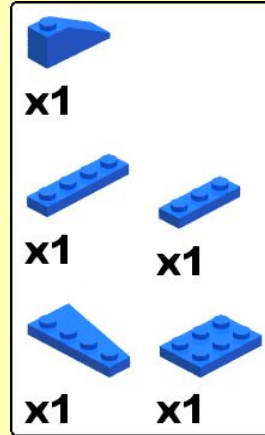


5

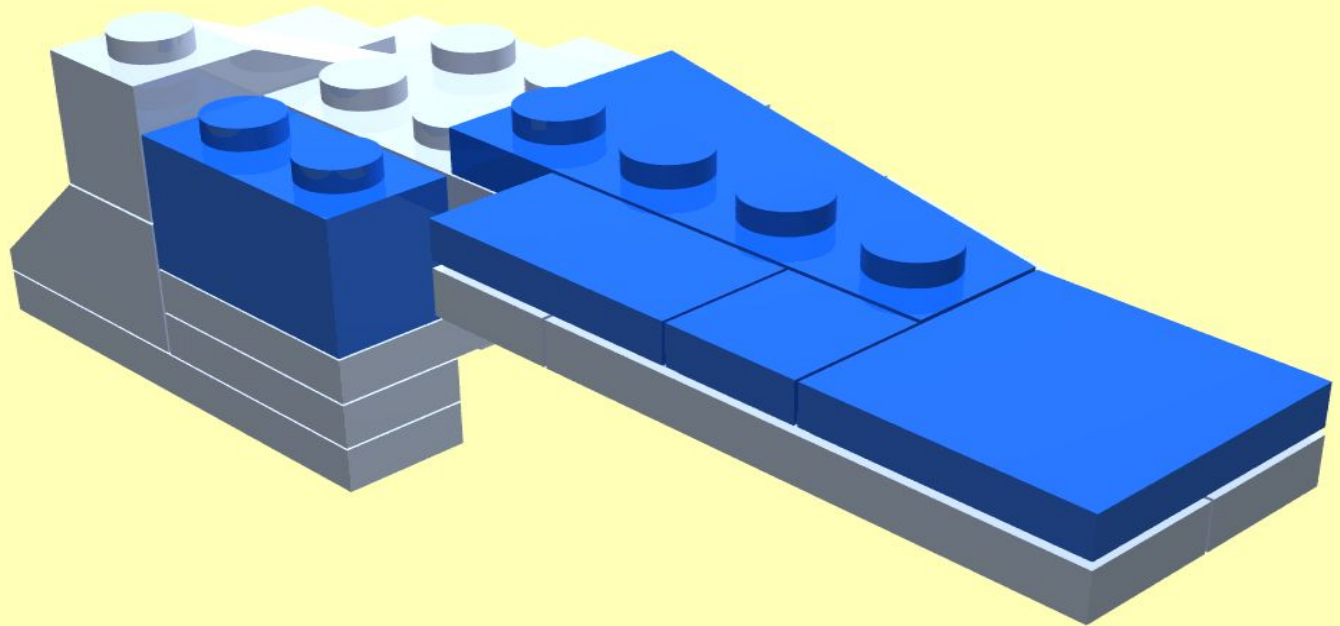
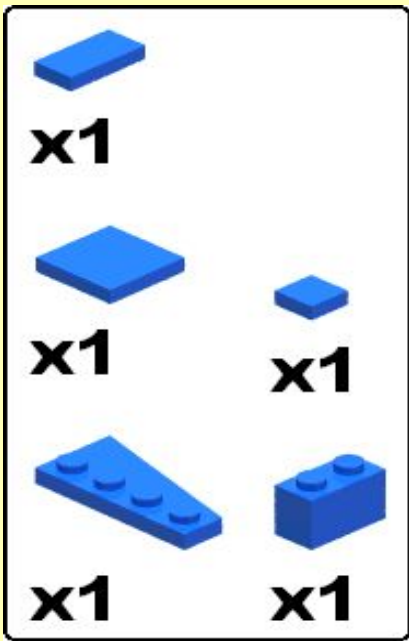


6

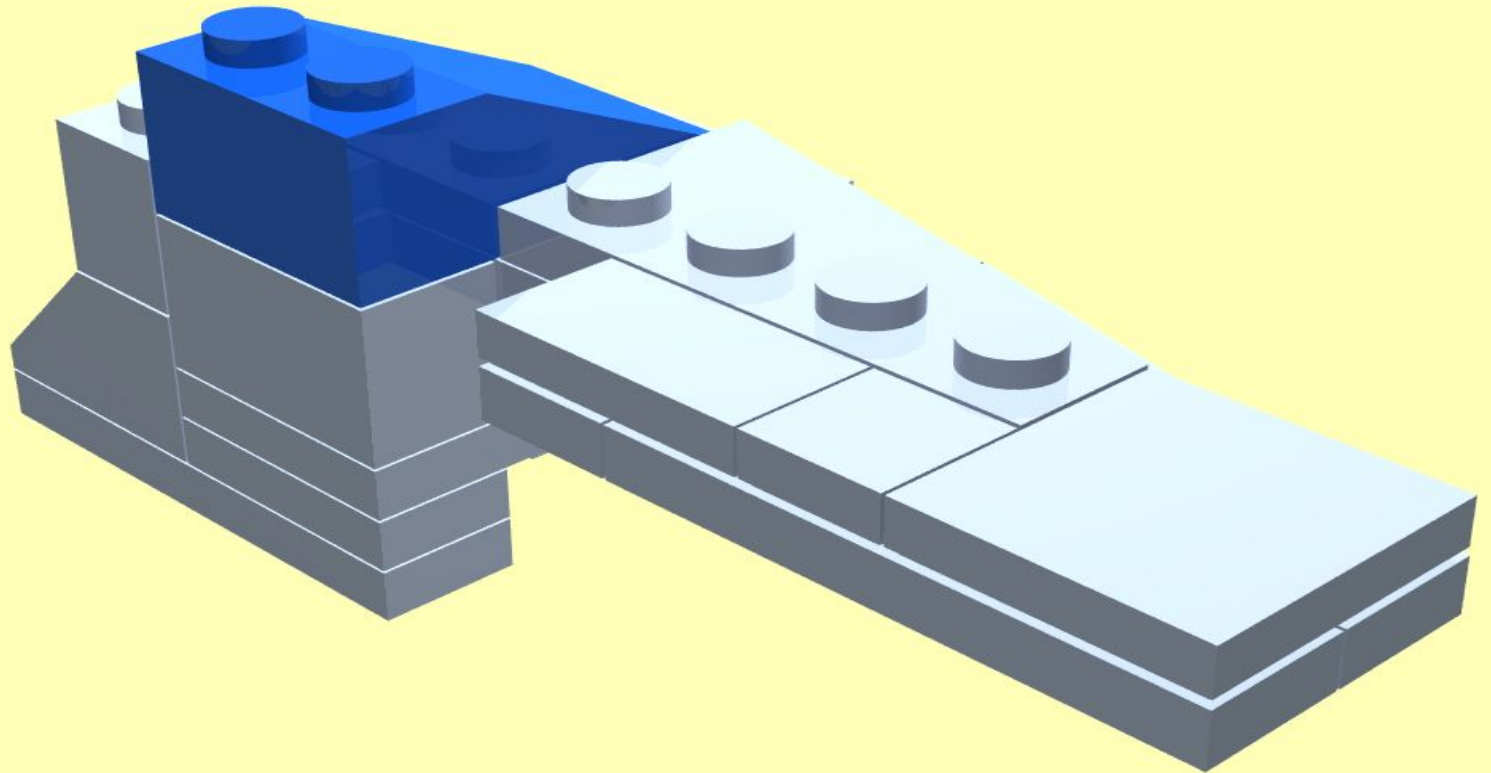


1**2****3****4**

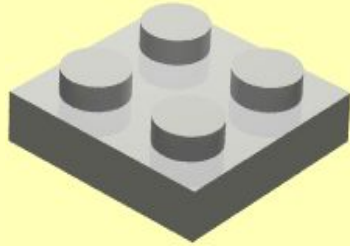
5



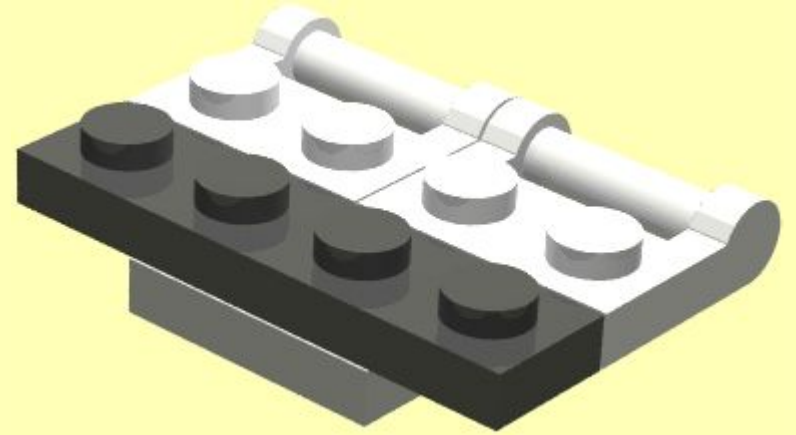
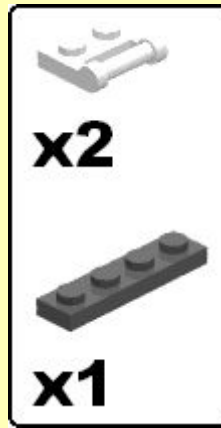
6



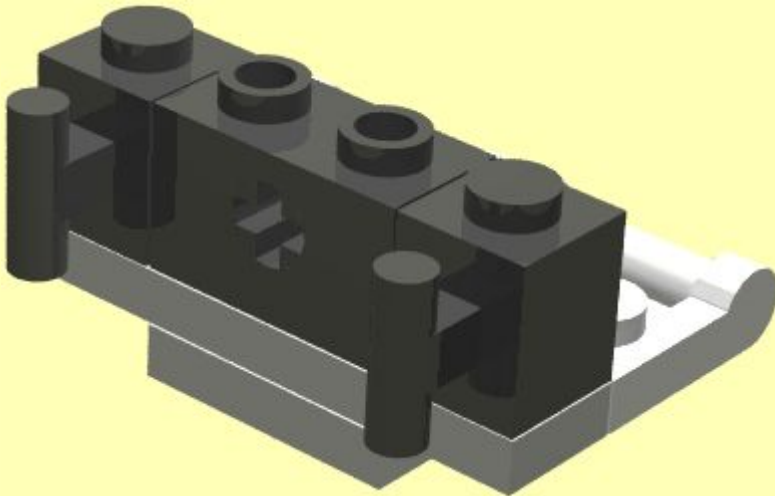
1



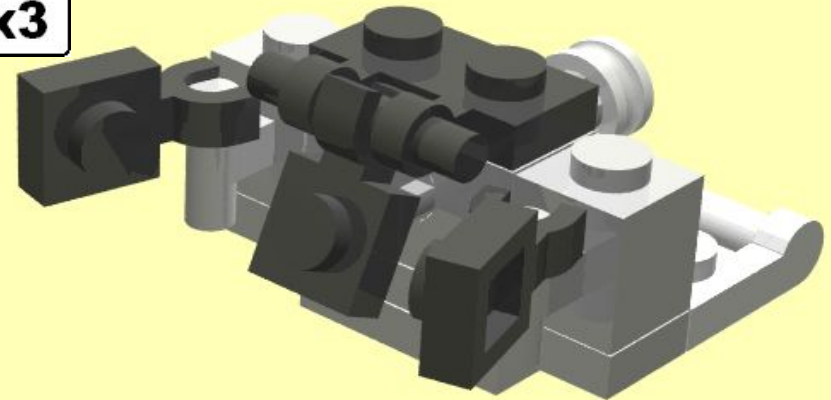
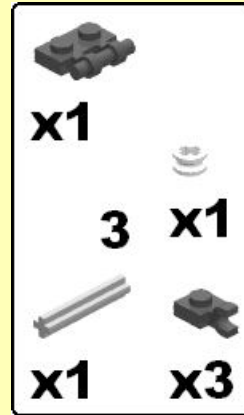
2



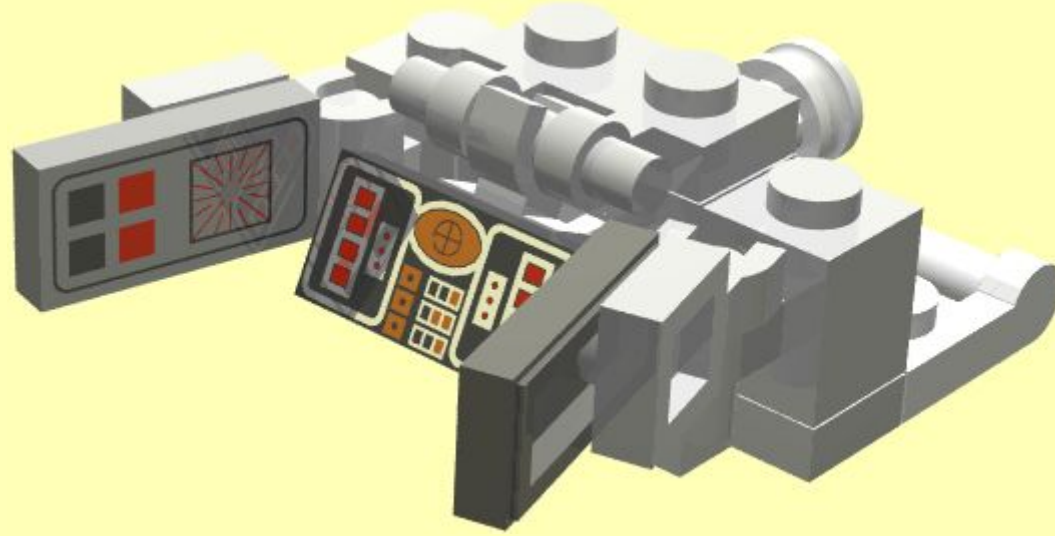
3



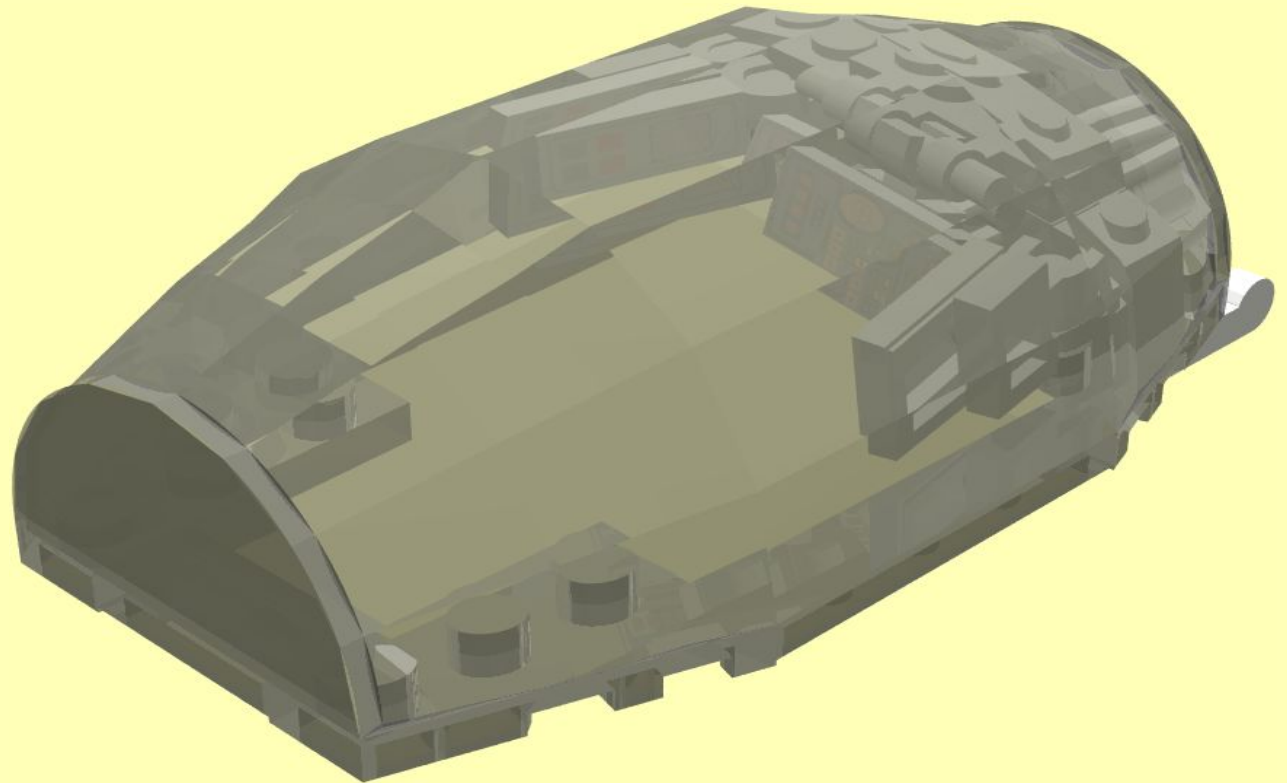
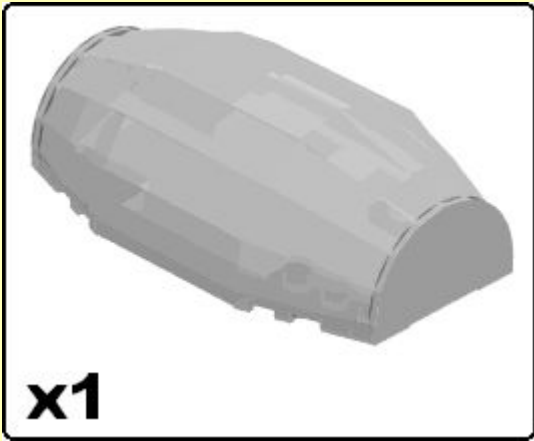
4



5



6



28

