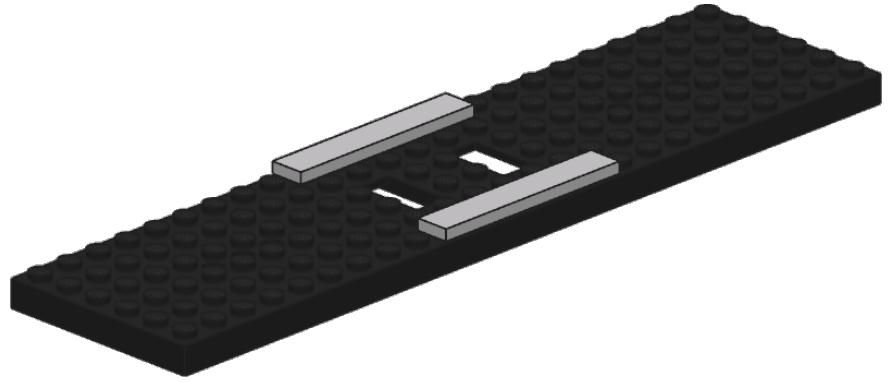
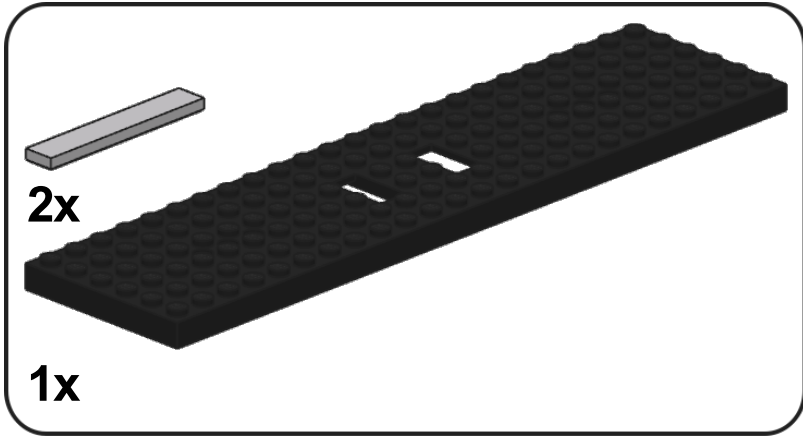
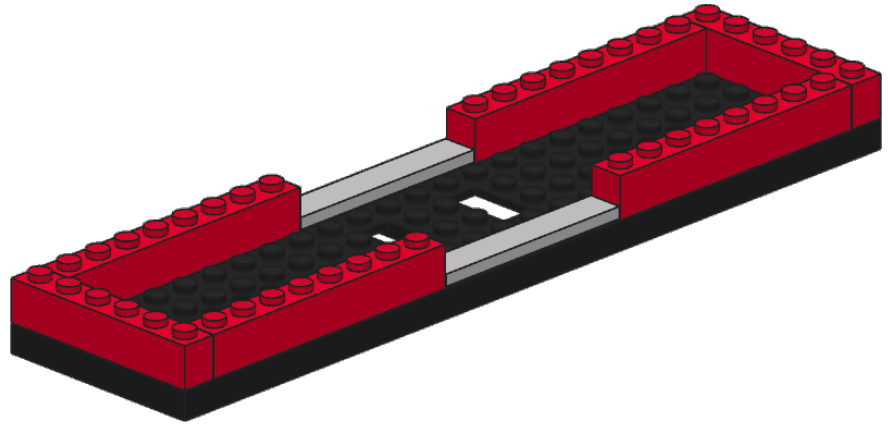
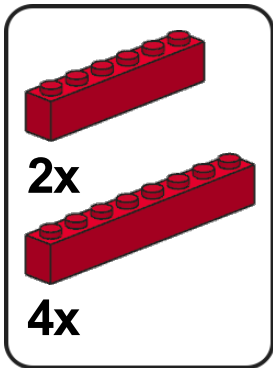


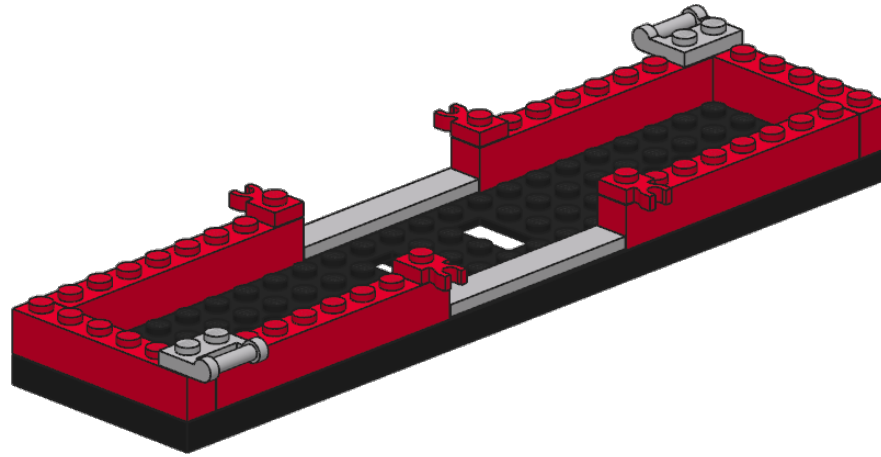
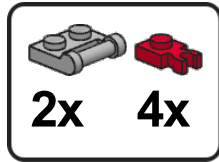
1



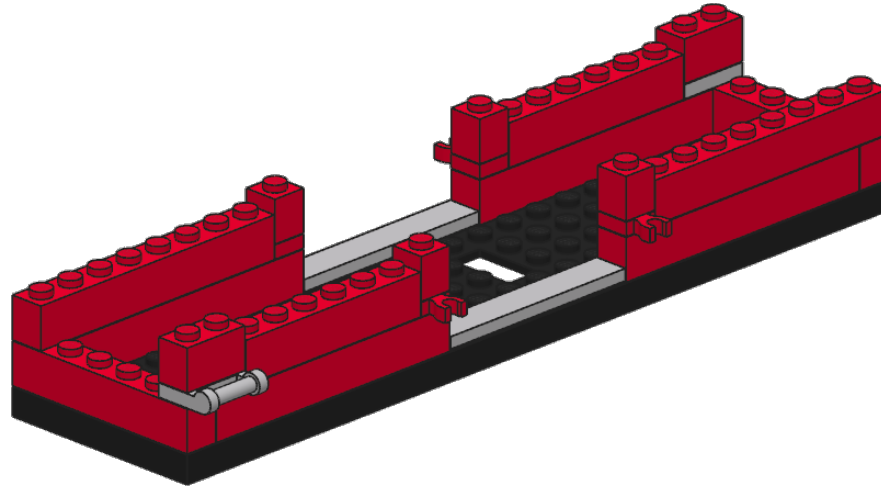
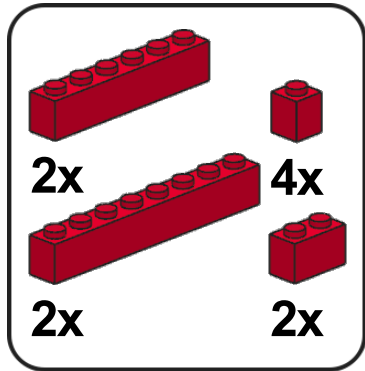
2



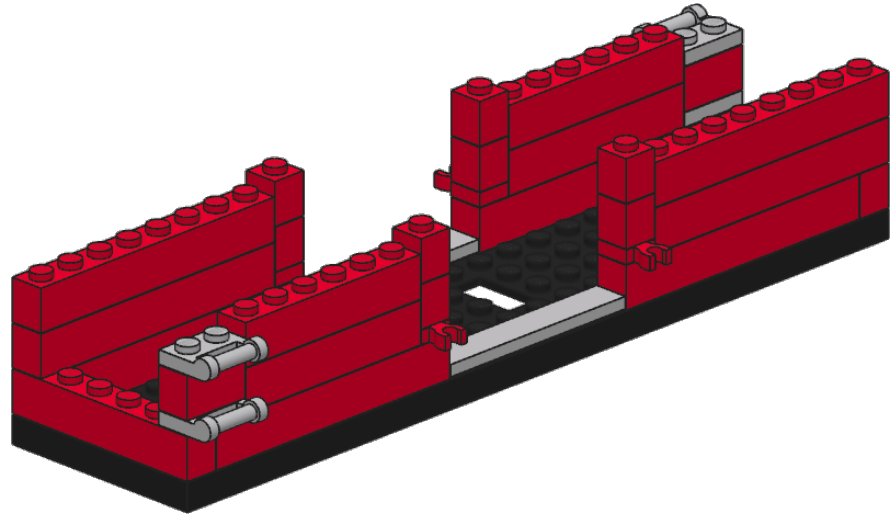
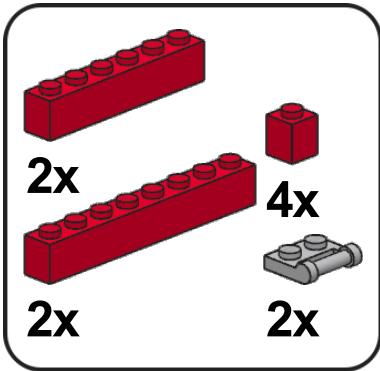
3



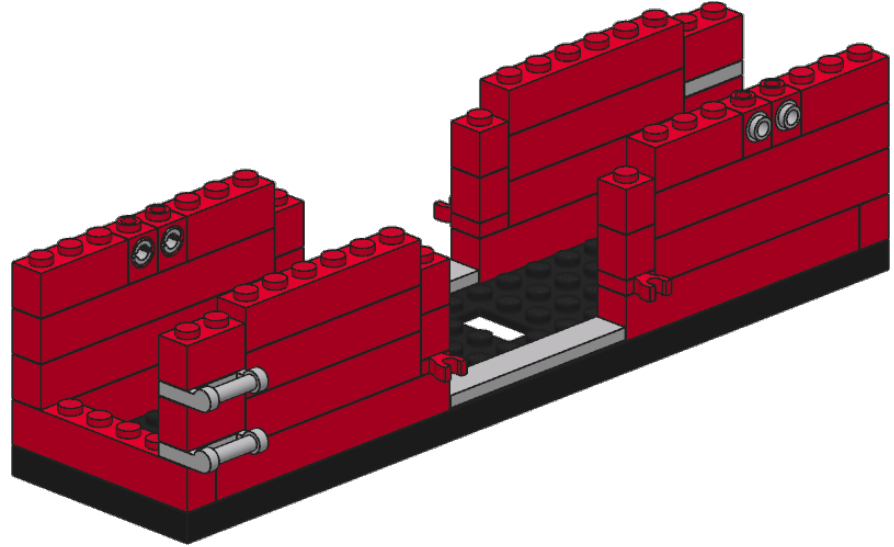
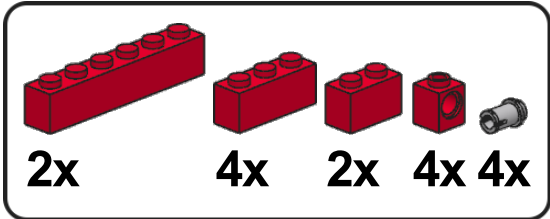
4



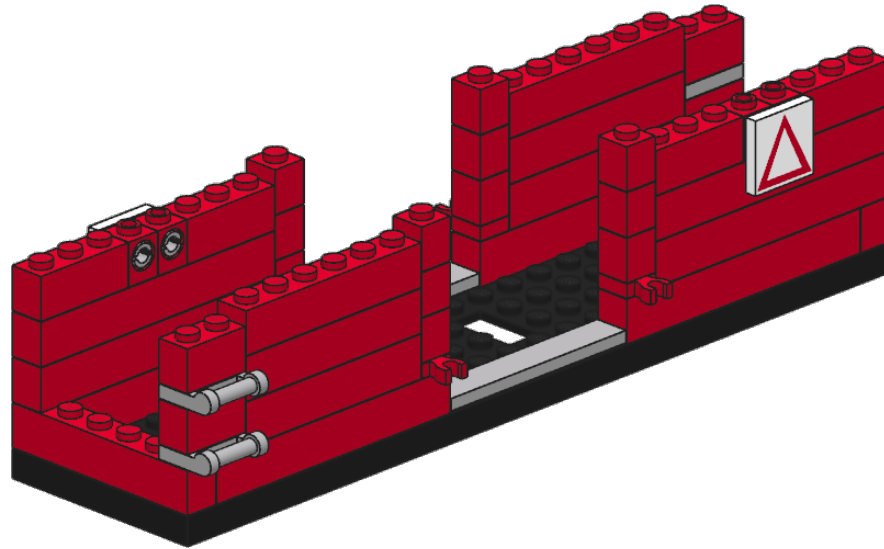
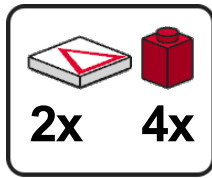
5



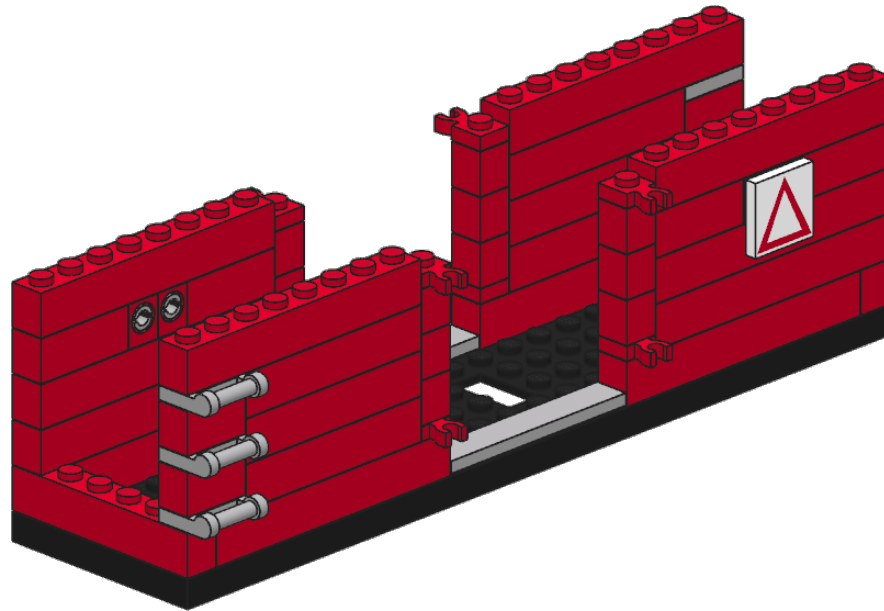
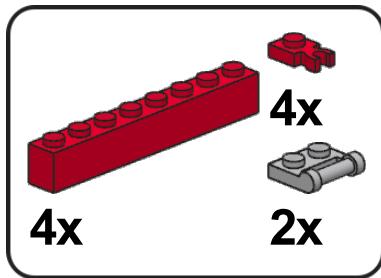
6



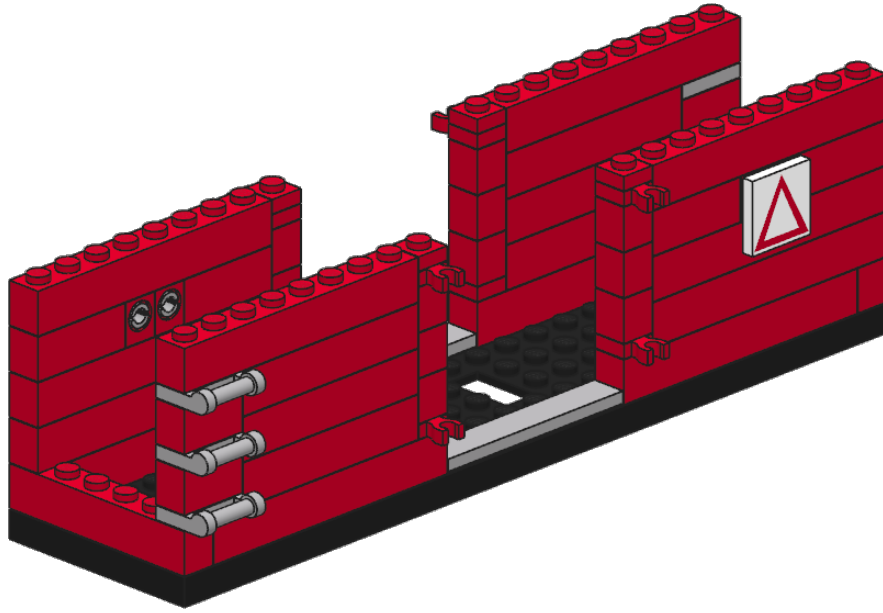
7



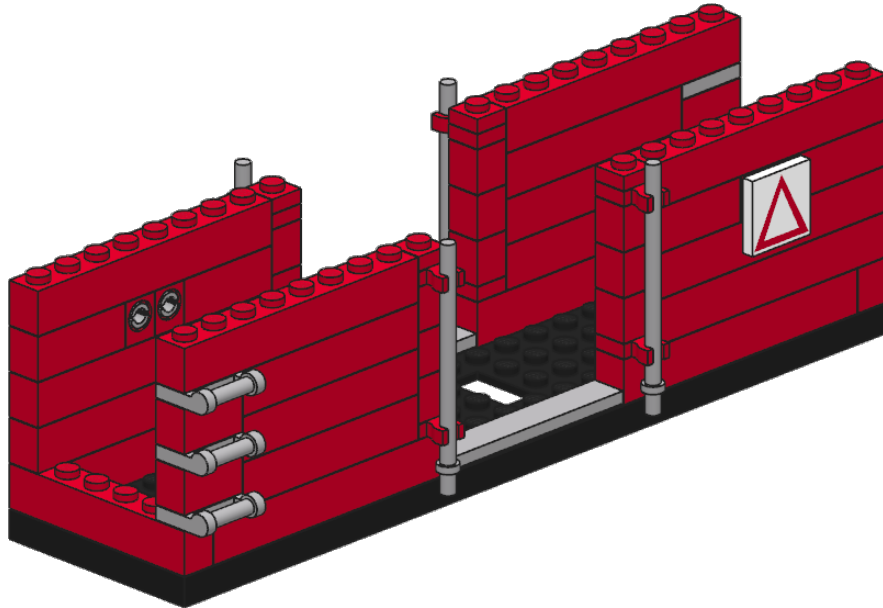
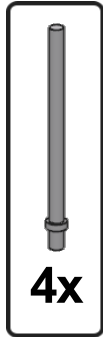
8



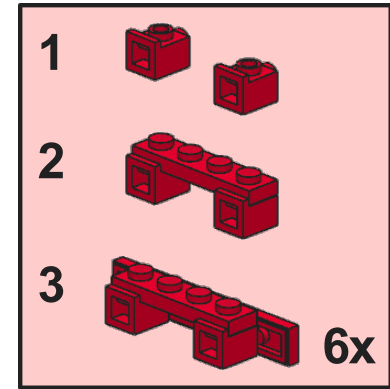
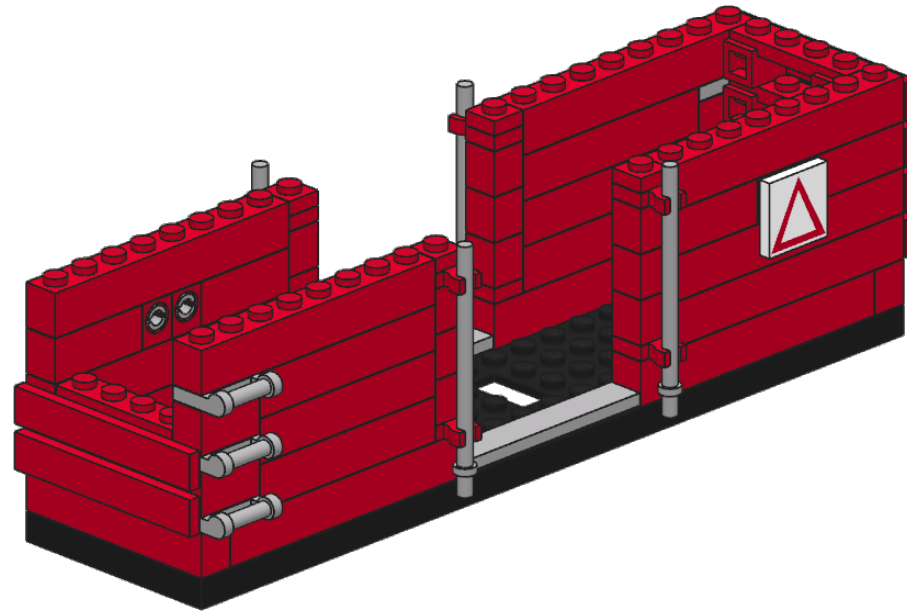
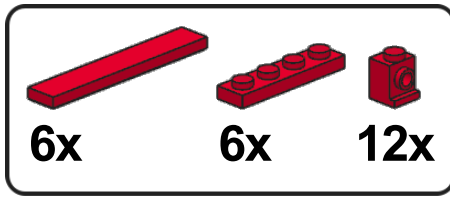
9



10

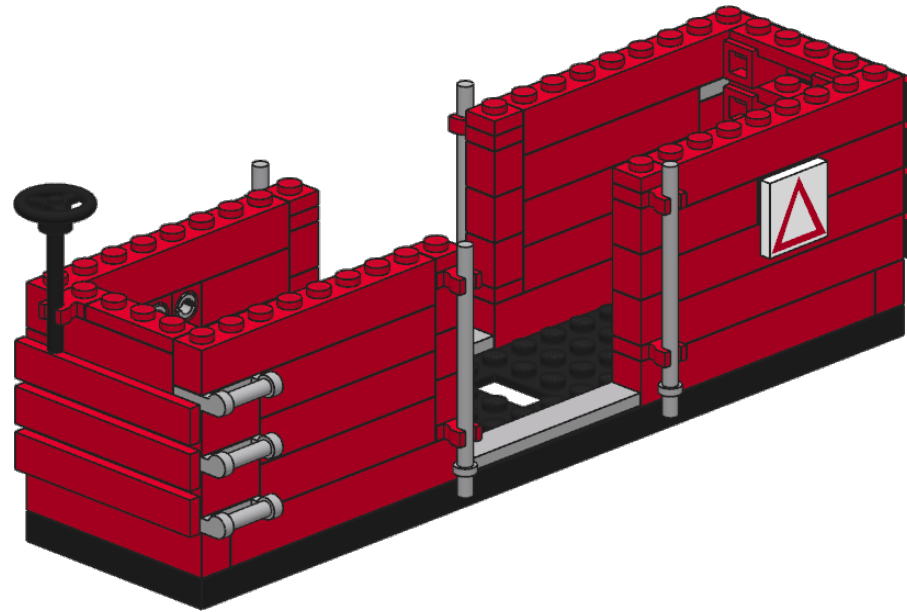


11



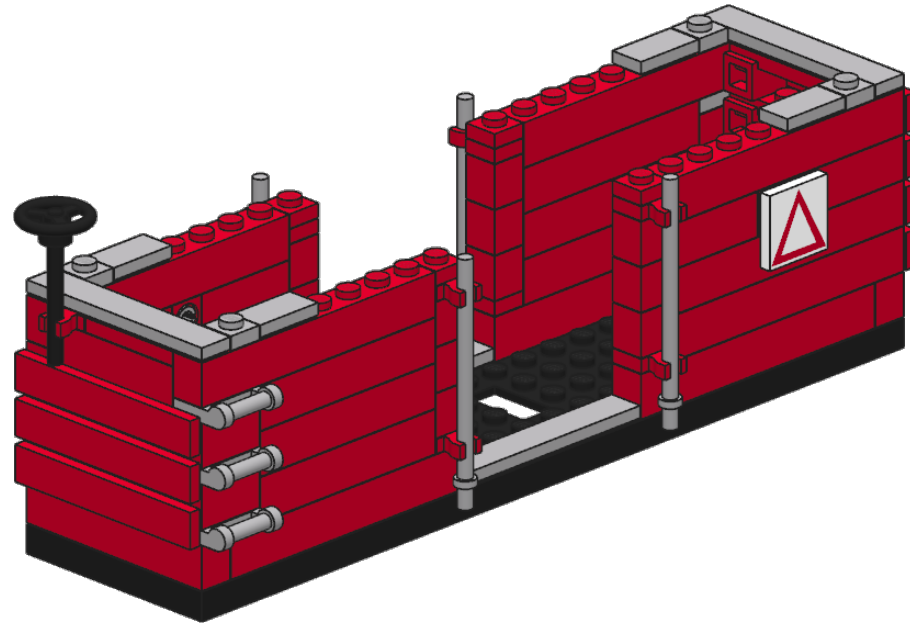
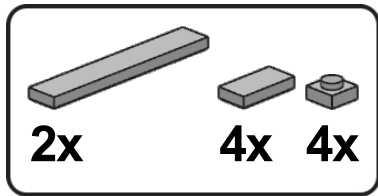
12

1x 1x 2x 1x
1x 1x 1x 1x

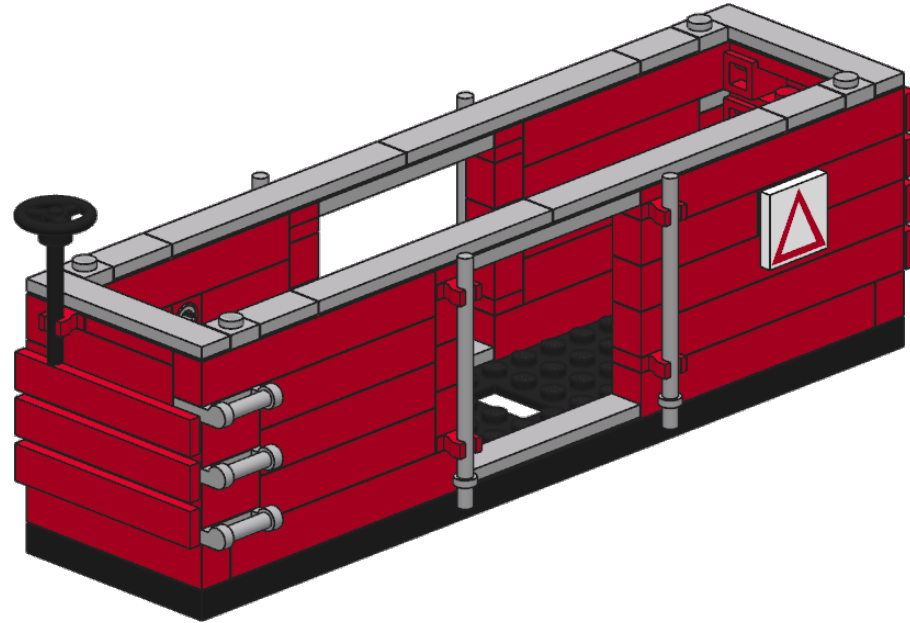
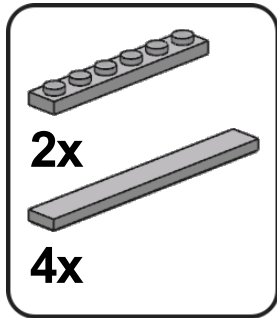


1 2 3 4 5

13

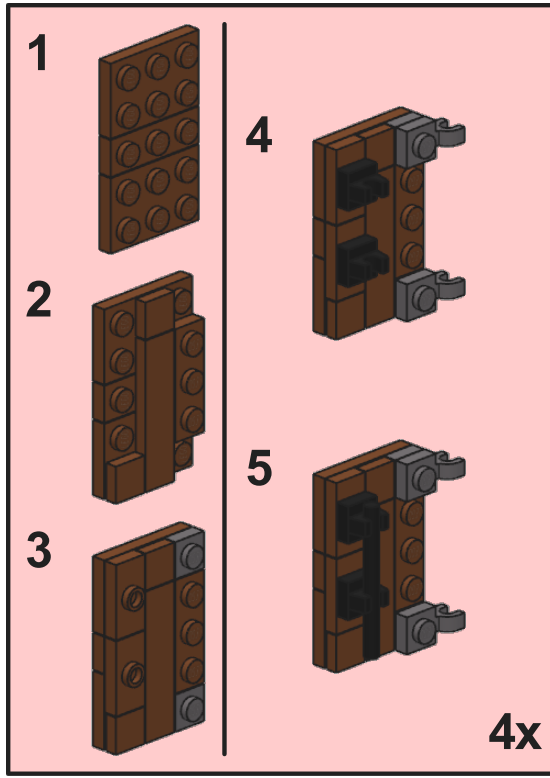
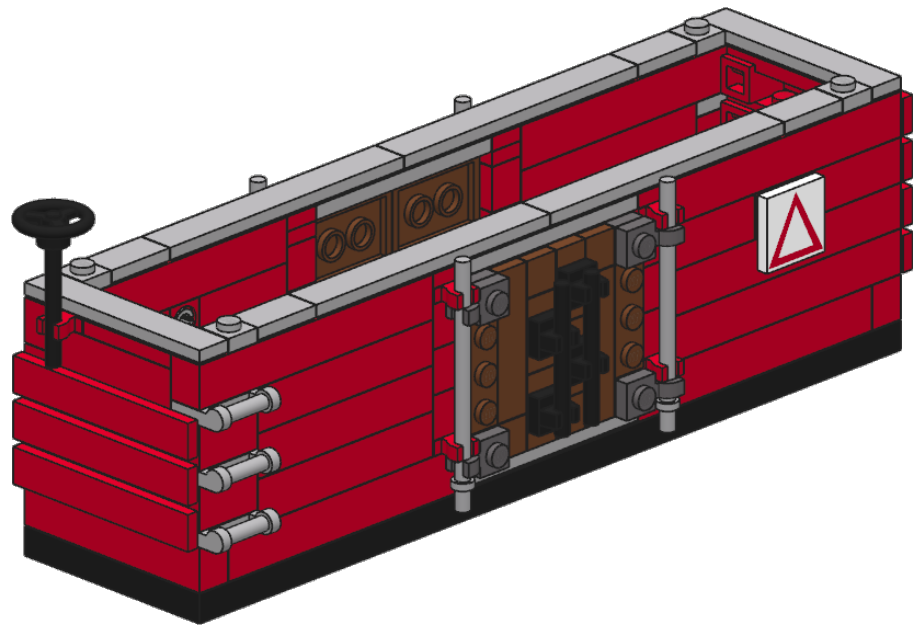


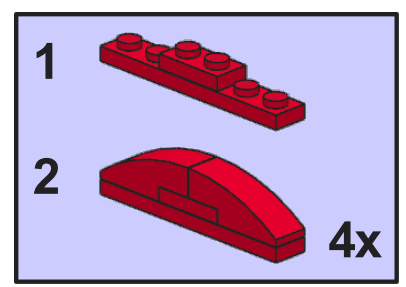
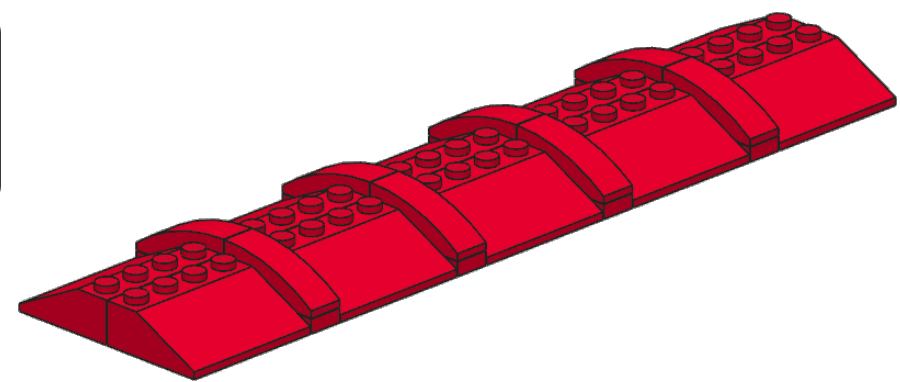
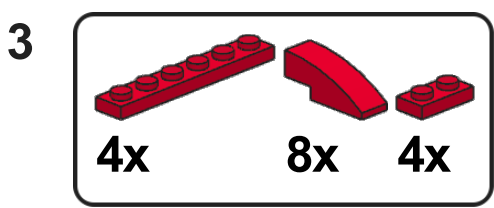
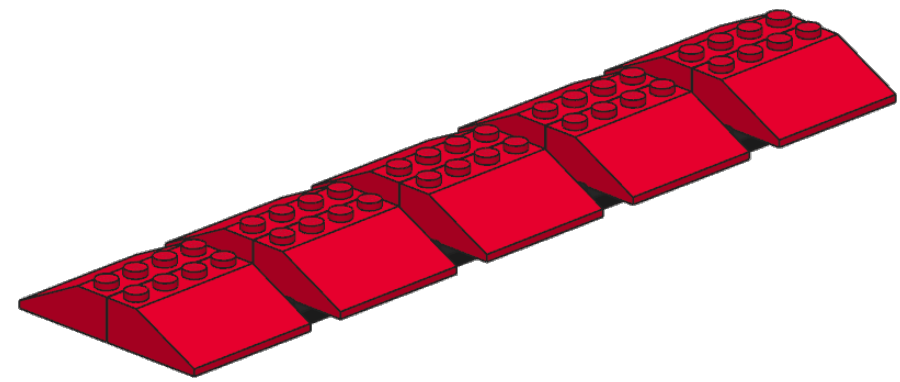
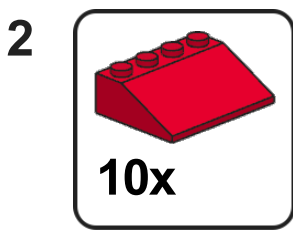
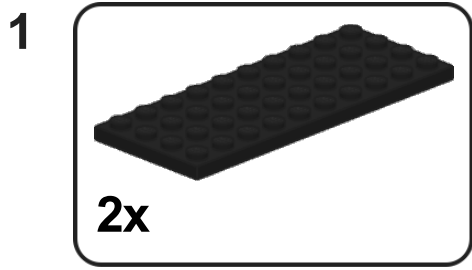
14



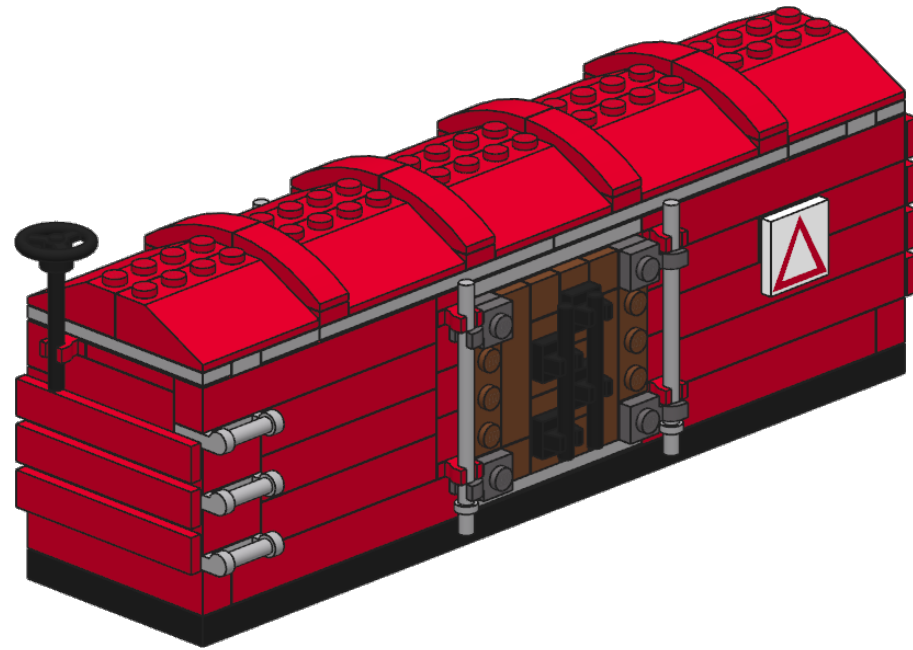
15

- 4x [1x1 brown Technic beam]
- 8x [1x2 brown Technic beam]
- 8x [1x2 black Technic beam]
- 8x [1x2 brown Technic beam with hole]
- 8x [1x2 brown Technic beam with hole]
- 8x [1x2 grey Technic beam with hole]
- 4x [1x2 black Technic axle]
- 8x [1x2 grey Technic axle]

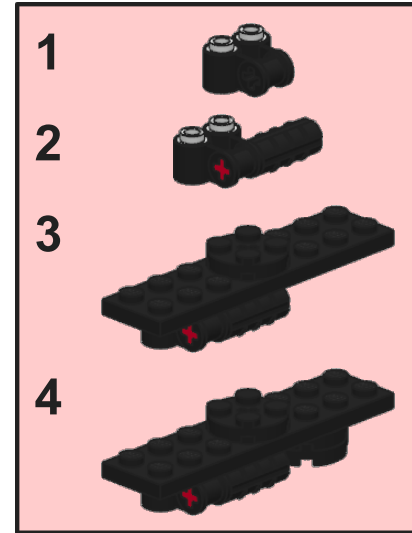
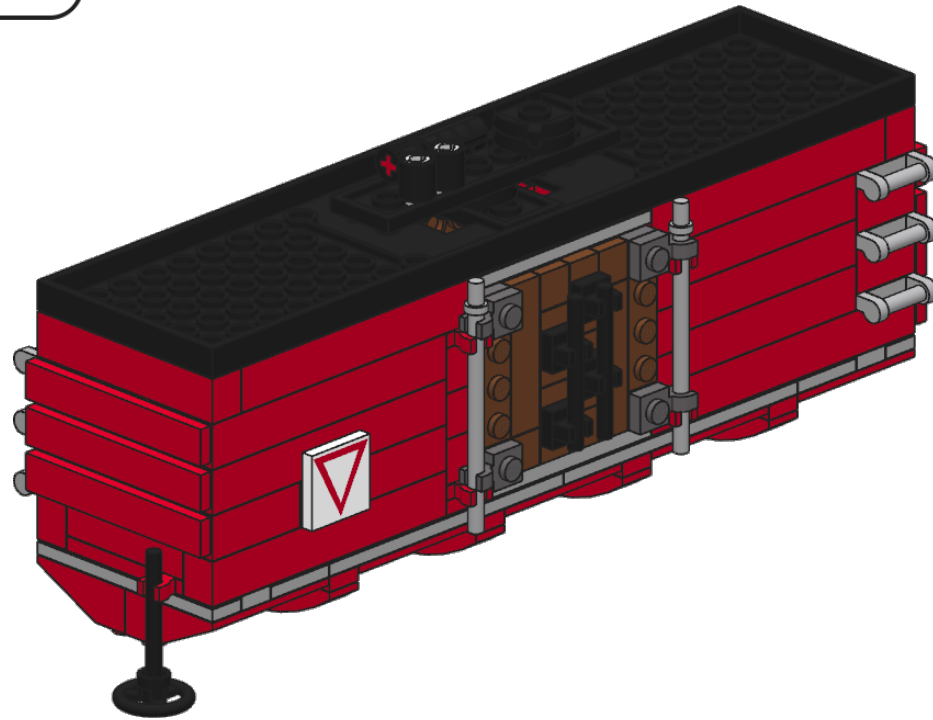
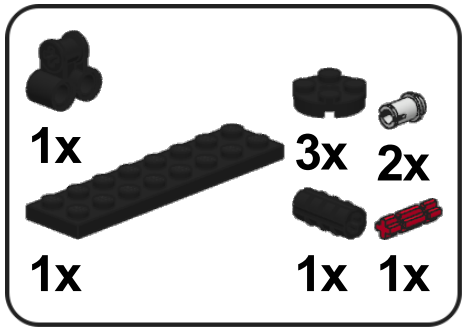




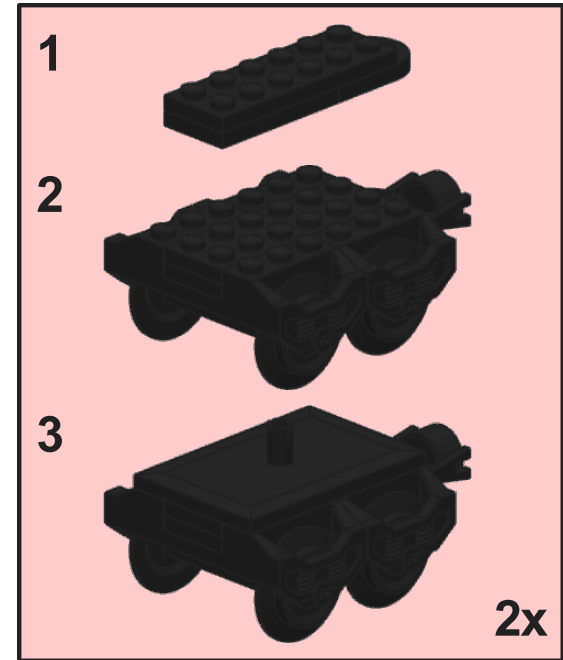
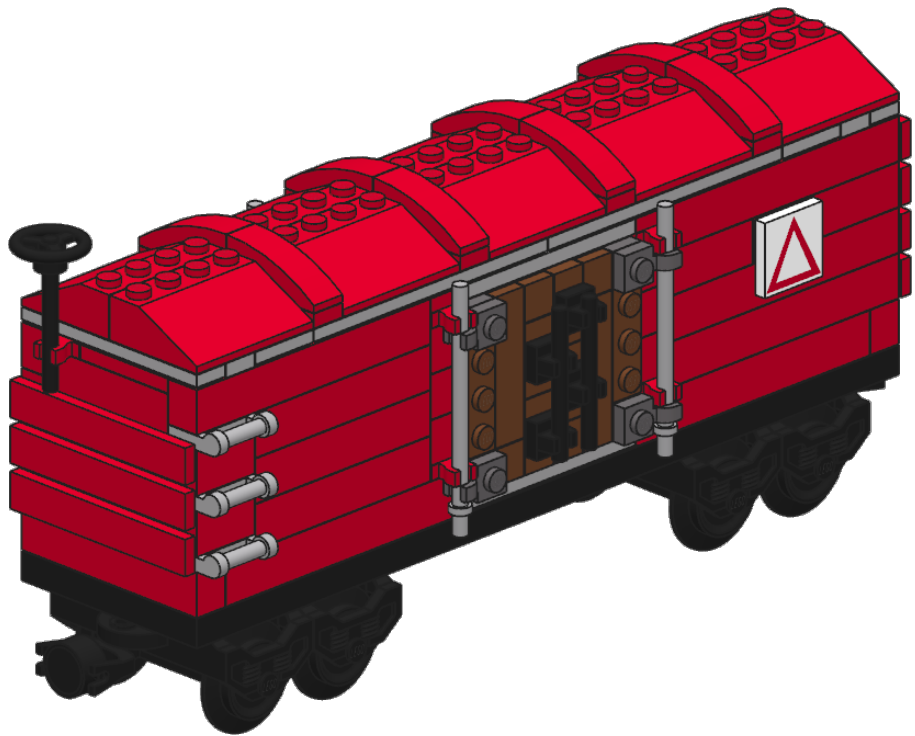
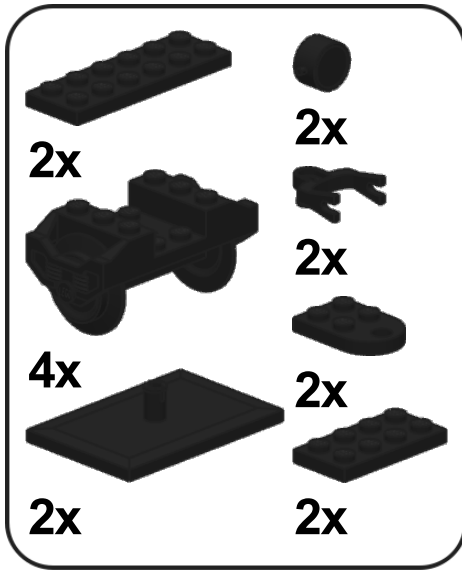
16



17



18



13

