















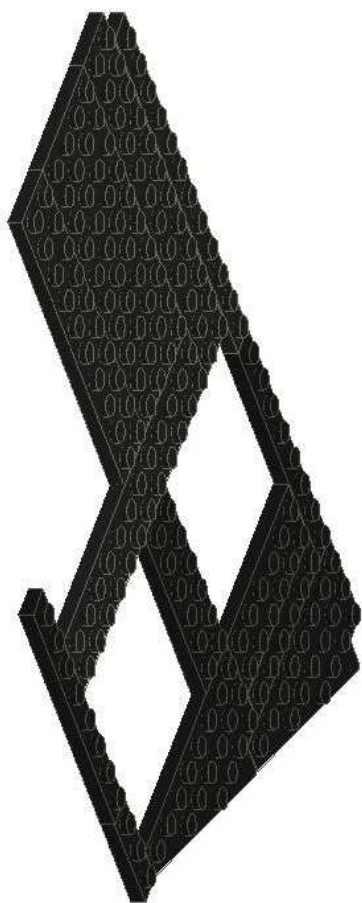




X 3

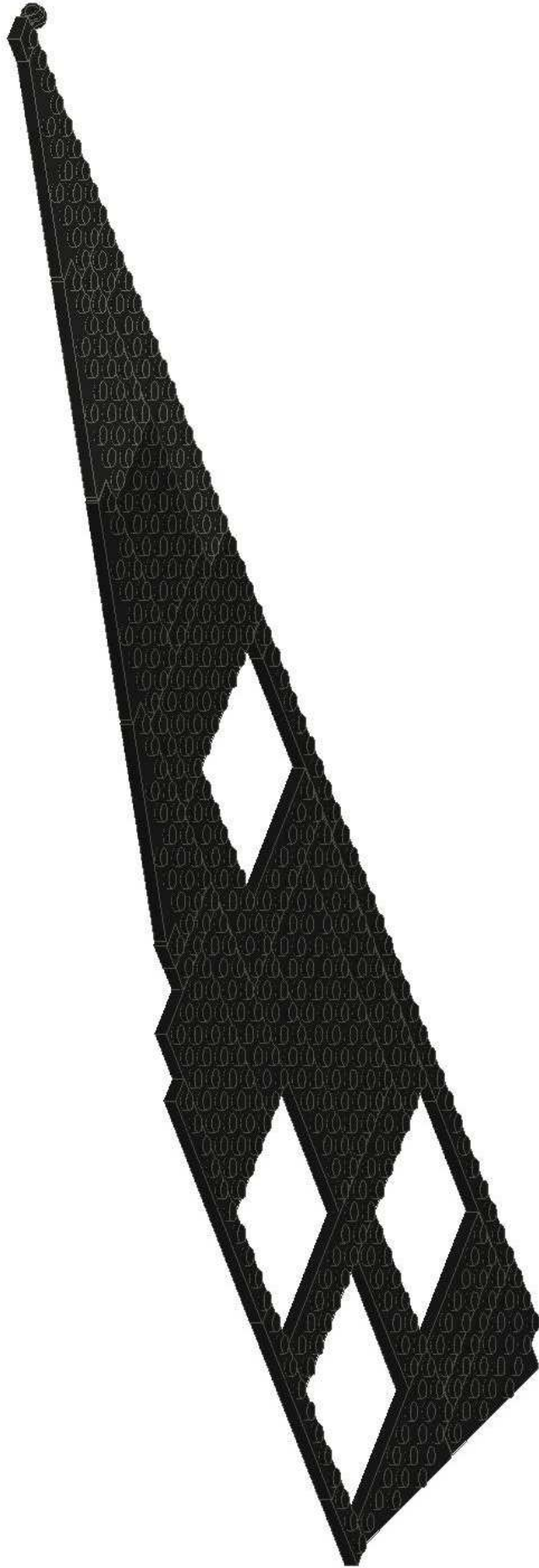


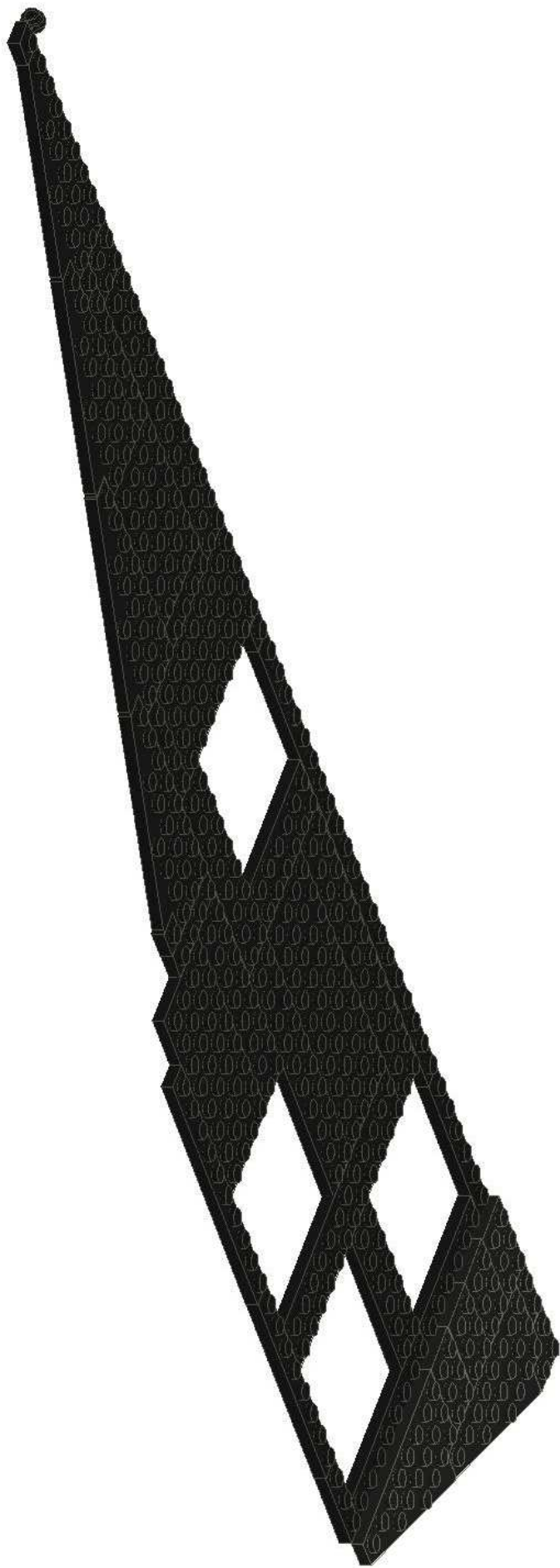


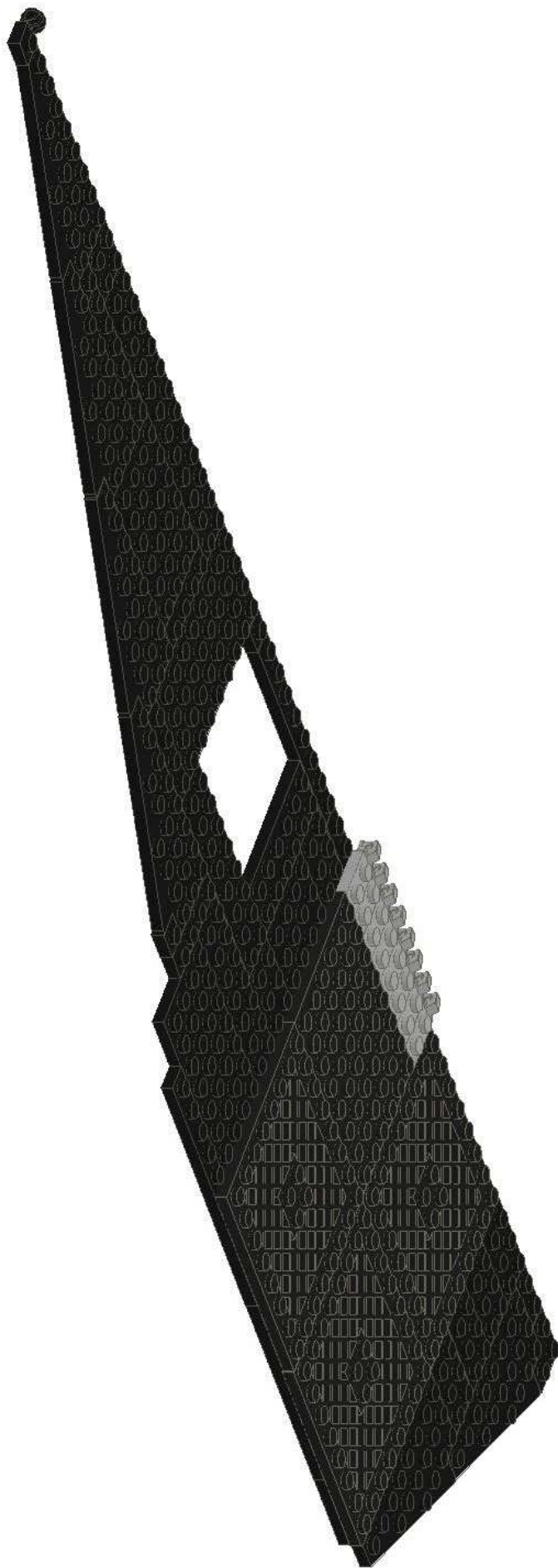


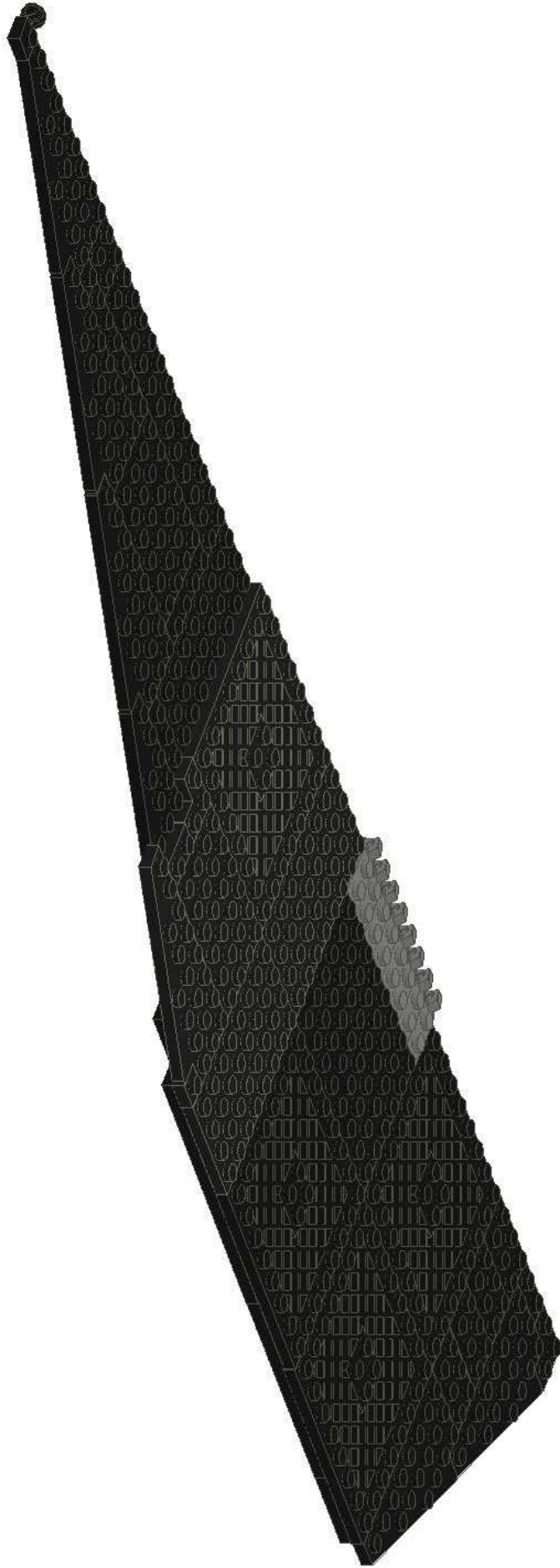


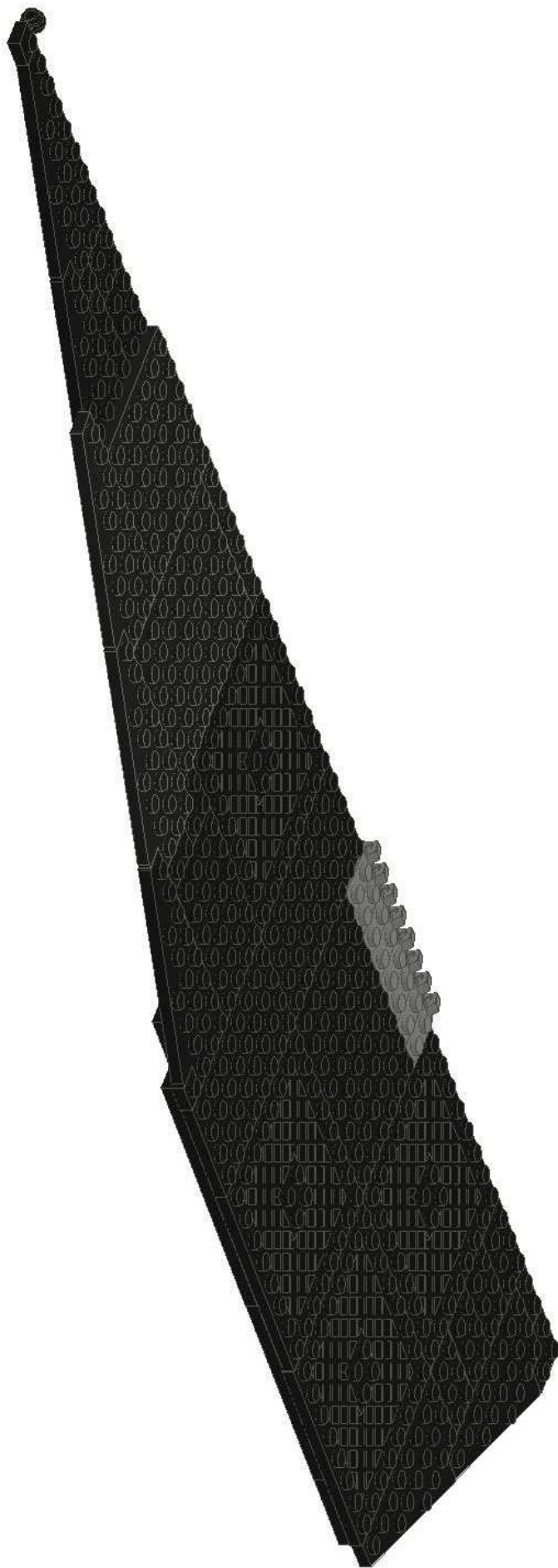


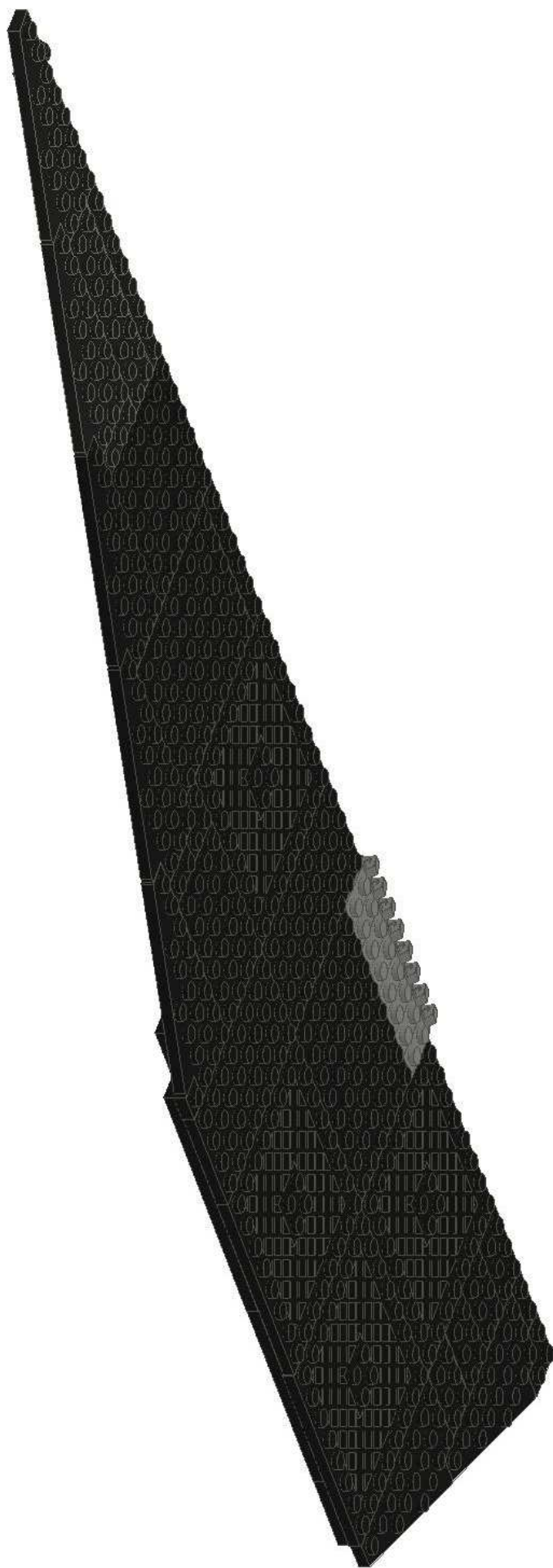


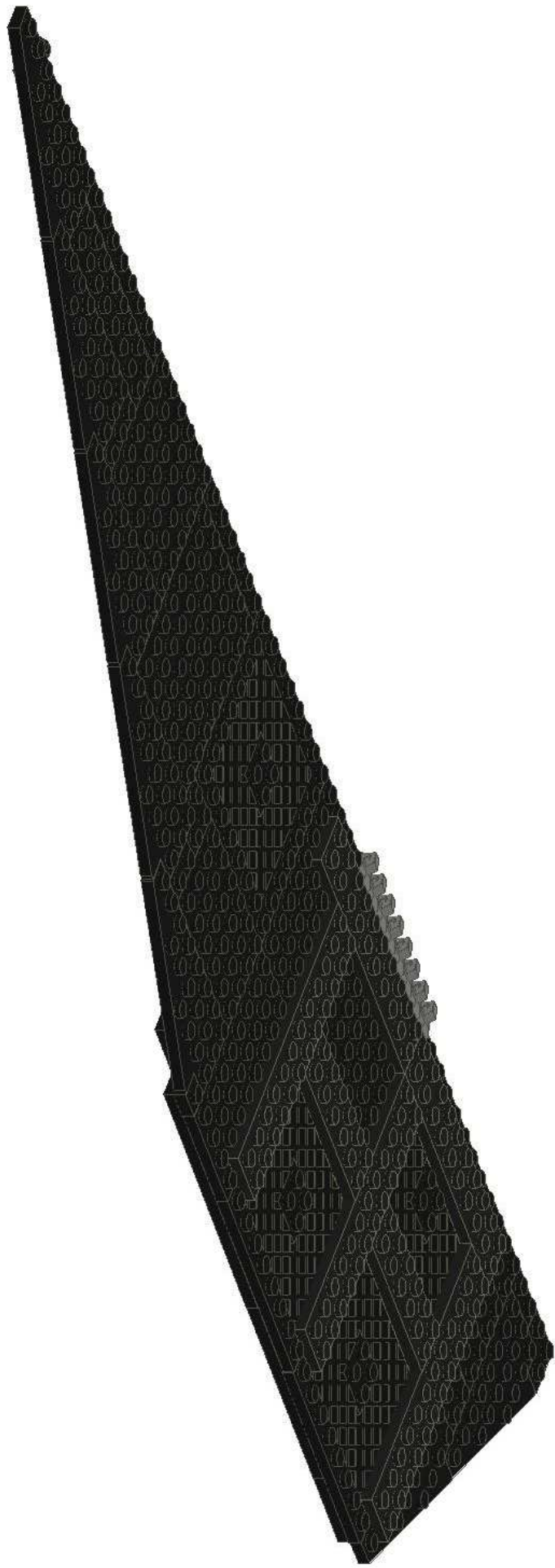








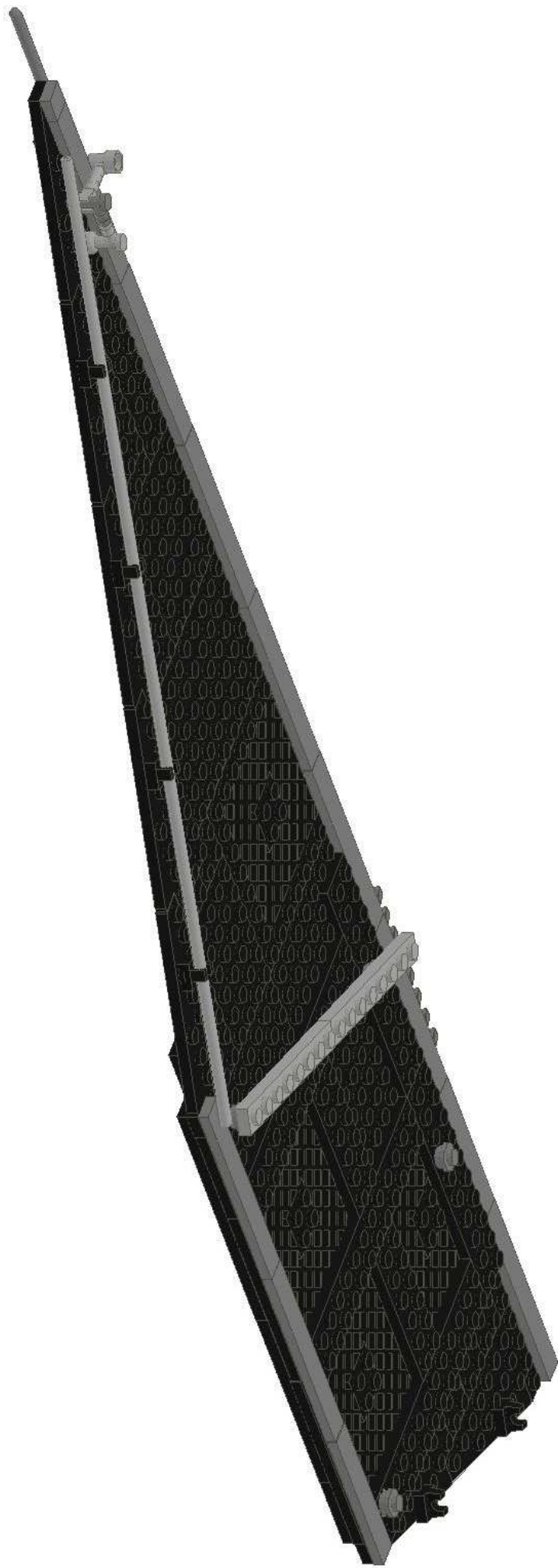


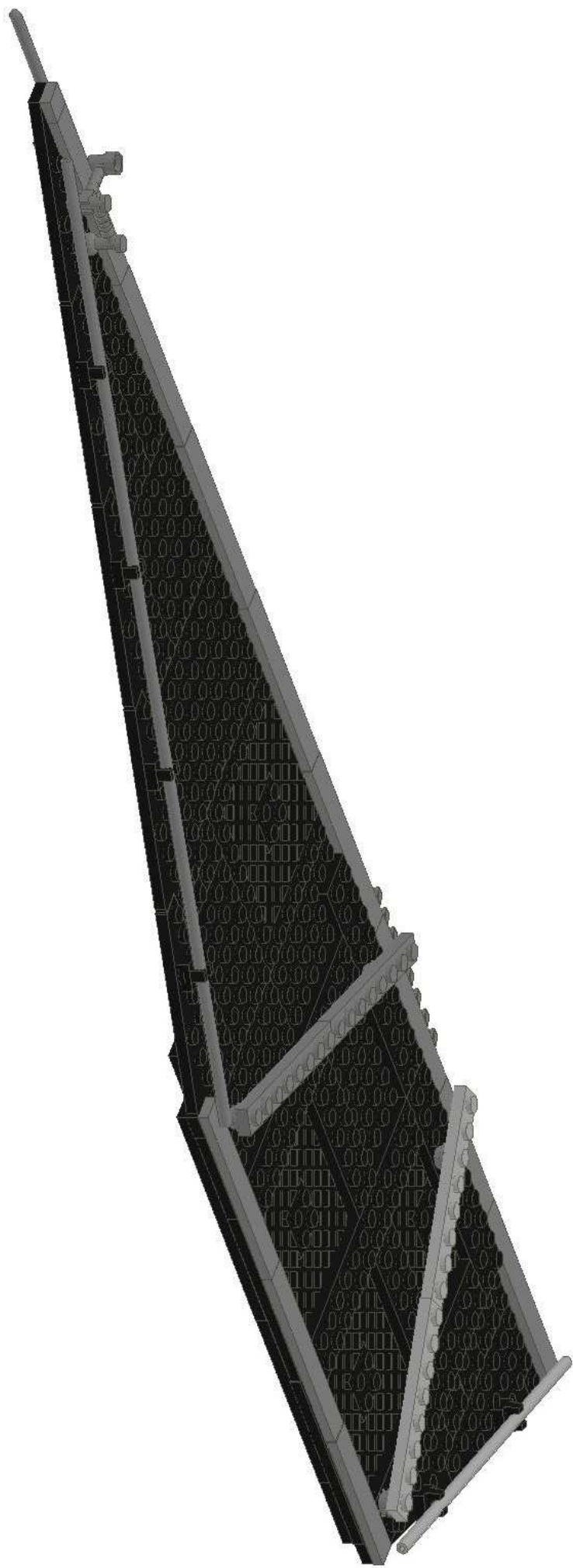


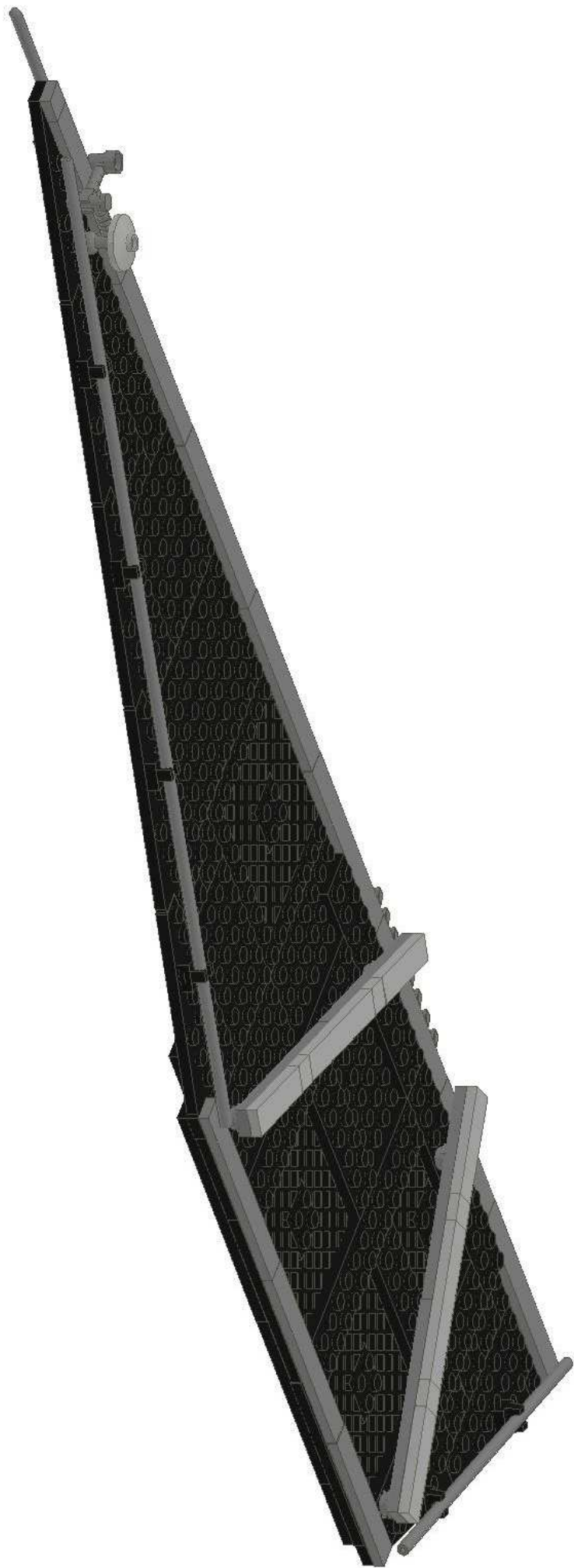












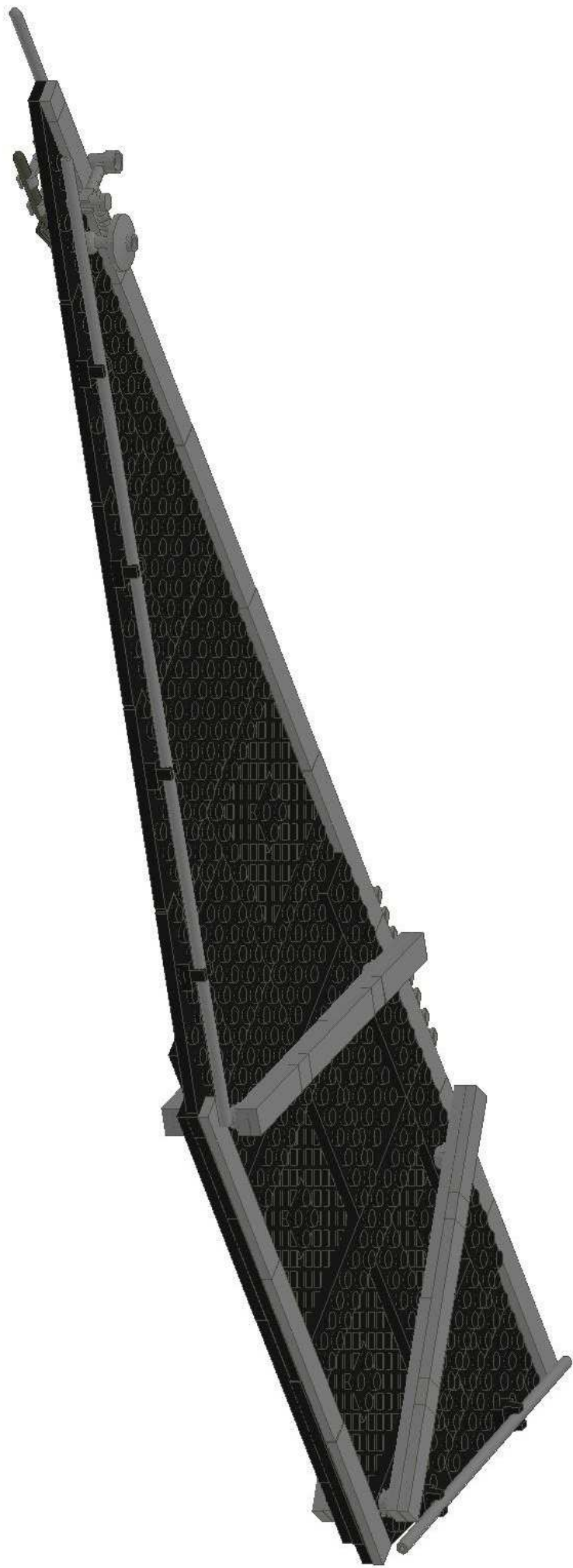




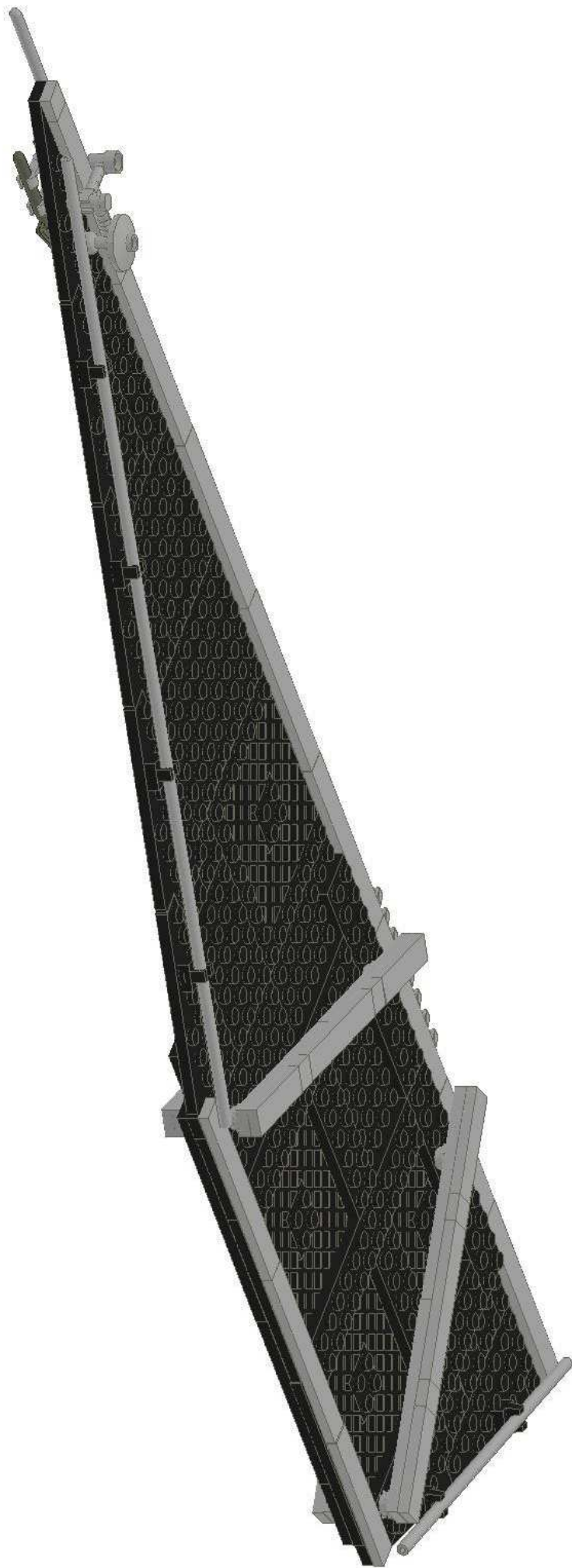


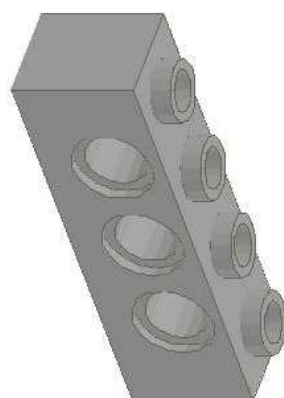


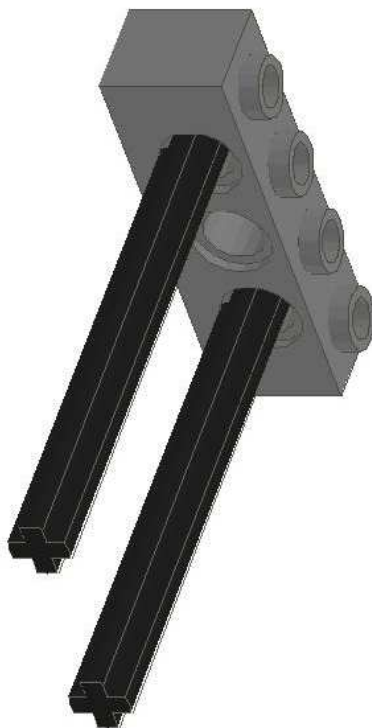


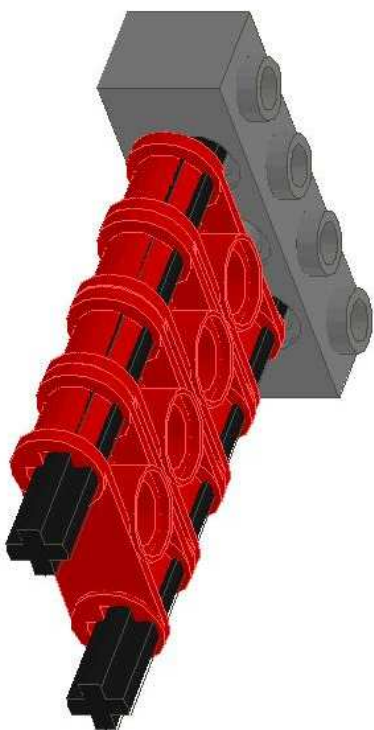


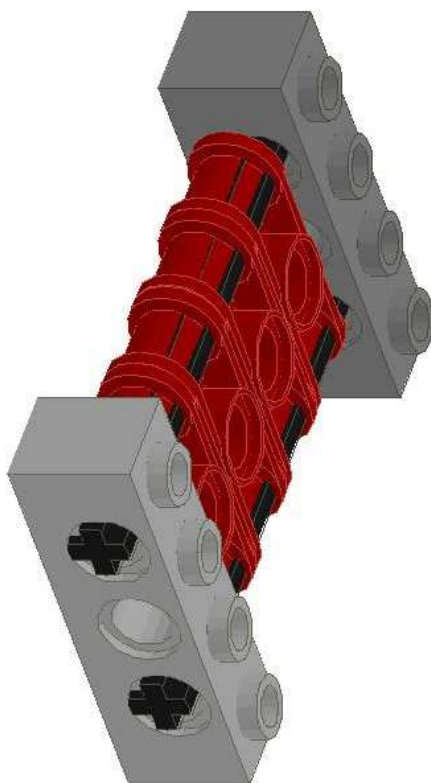
X 3

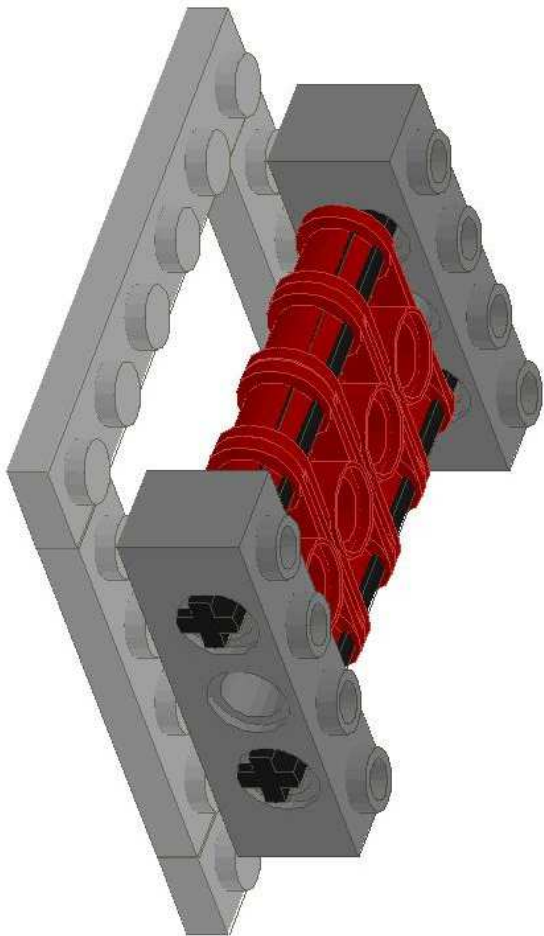


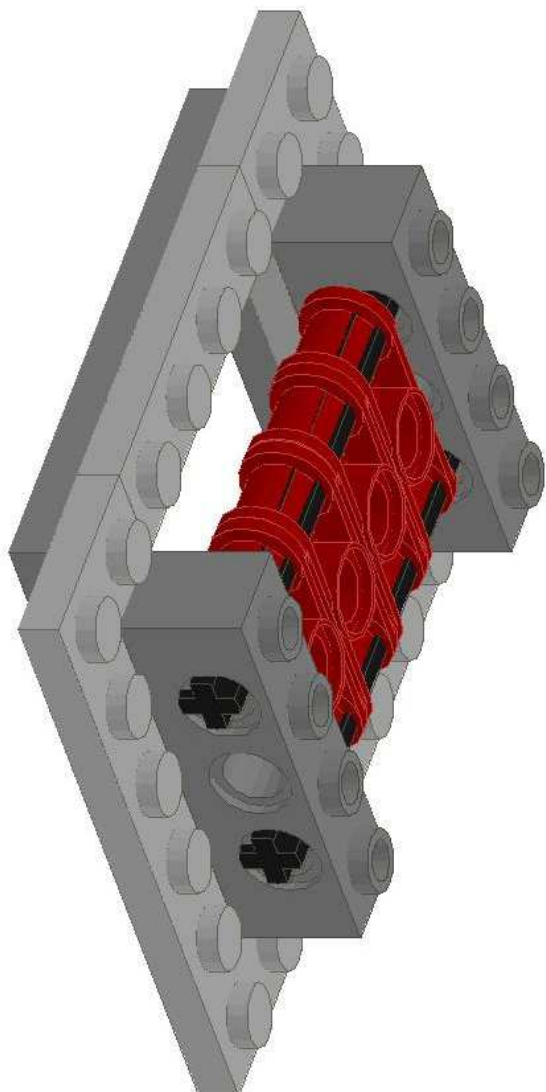


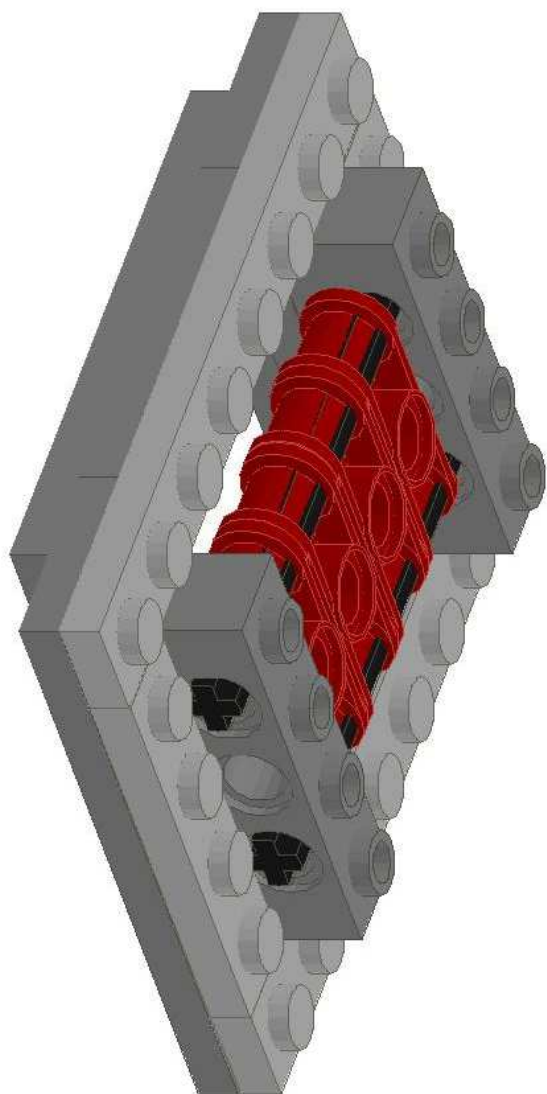


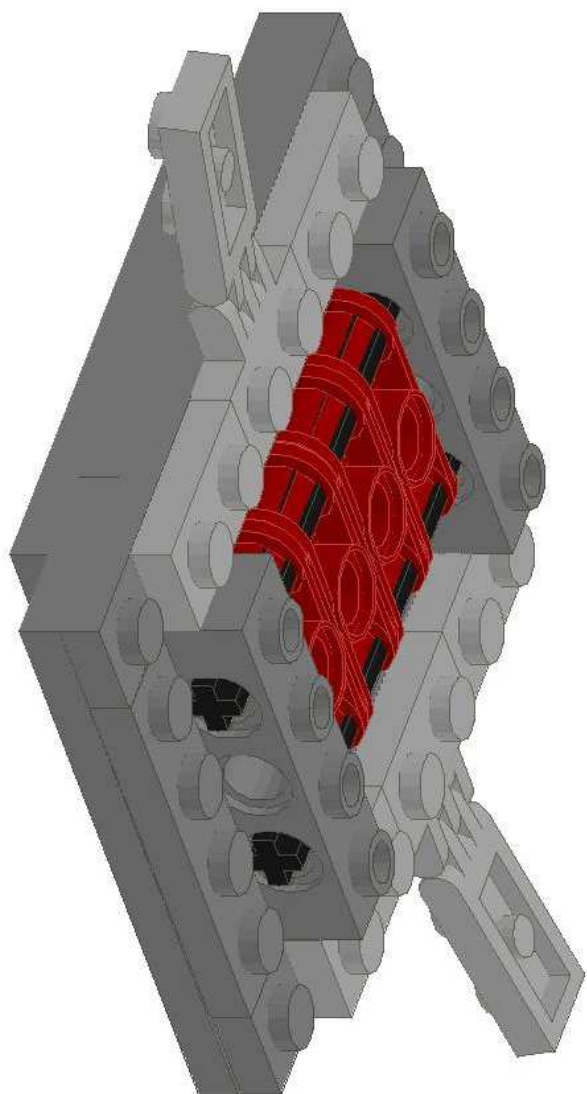


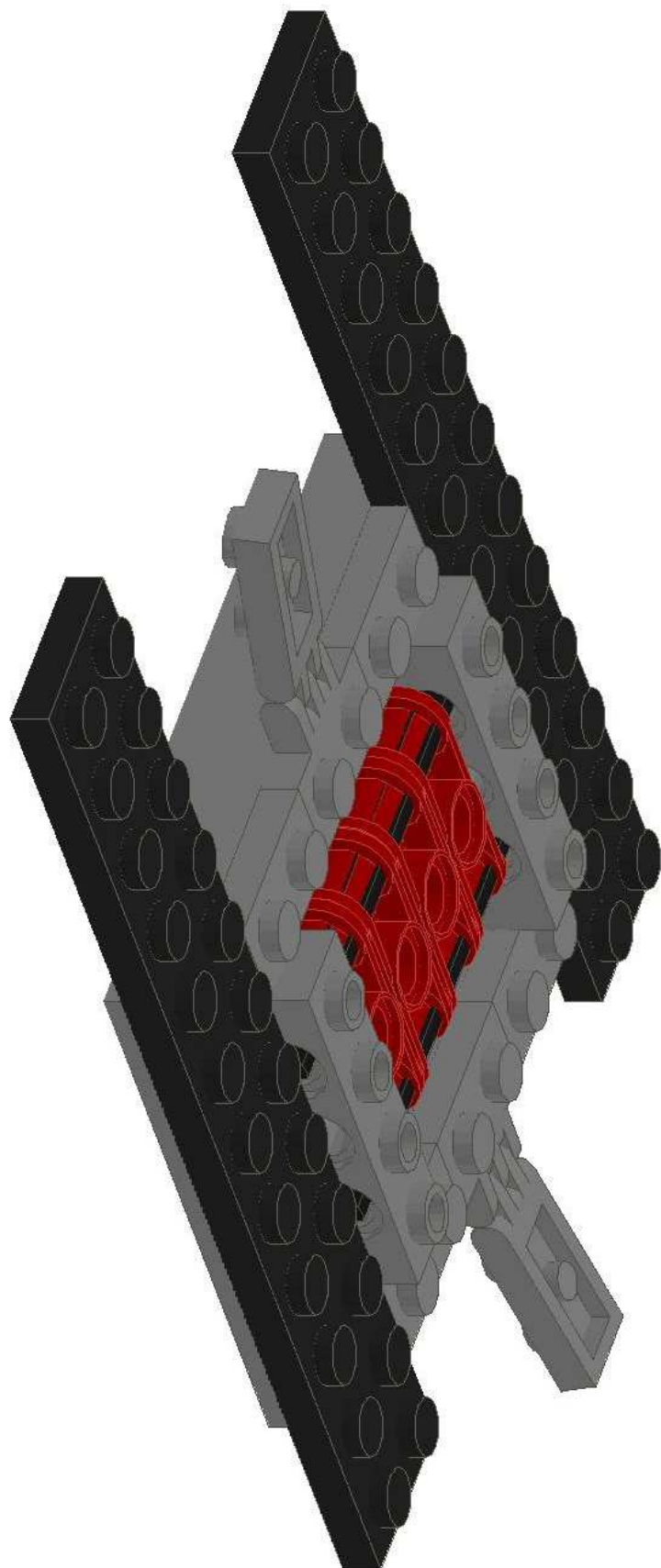


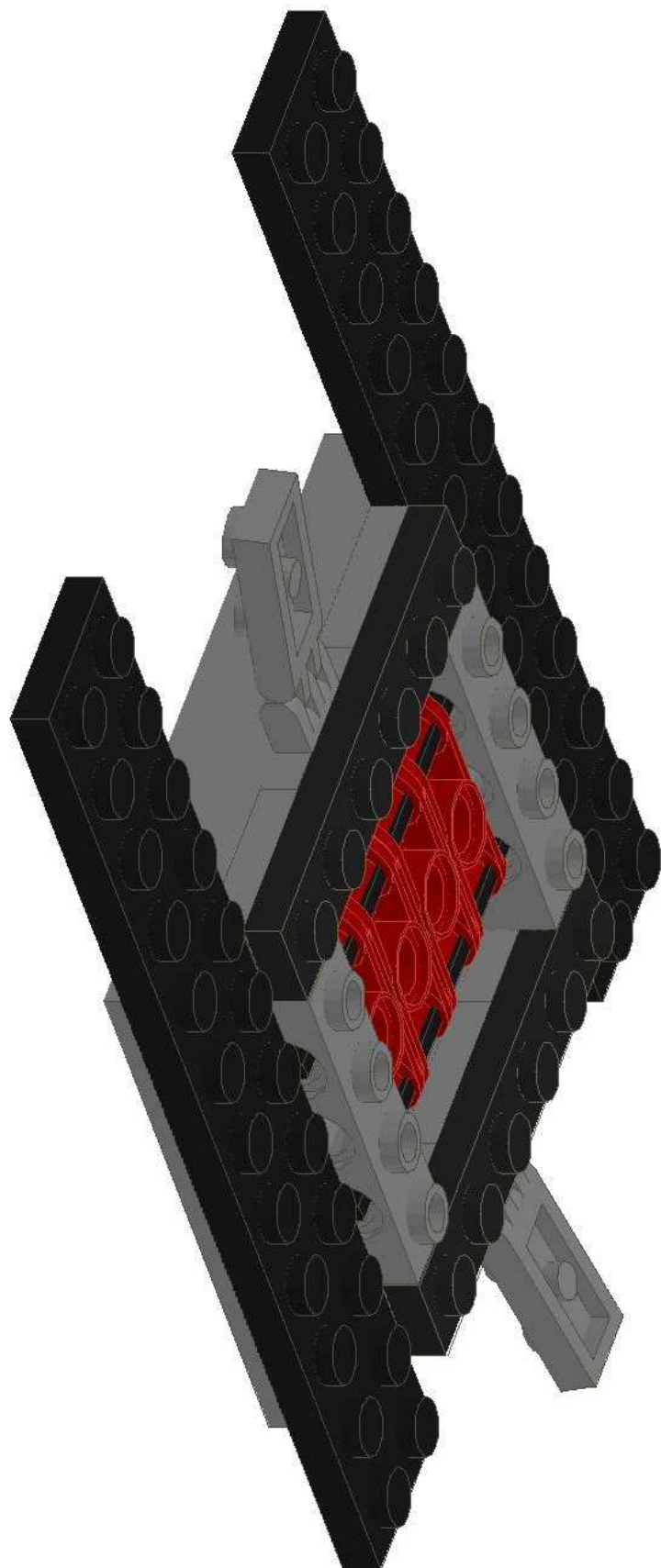


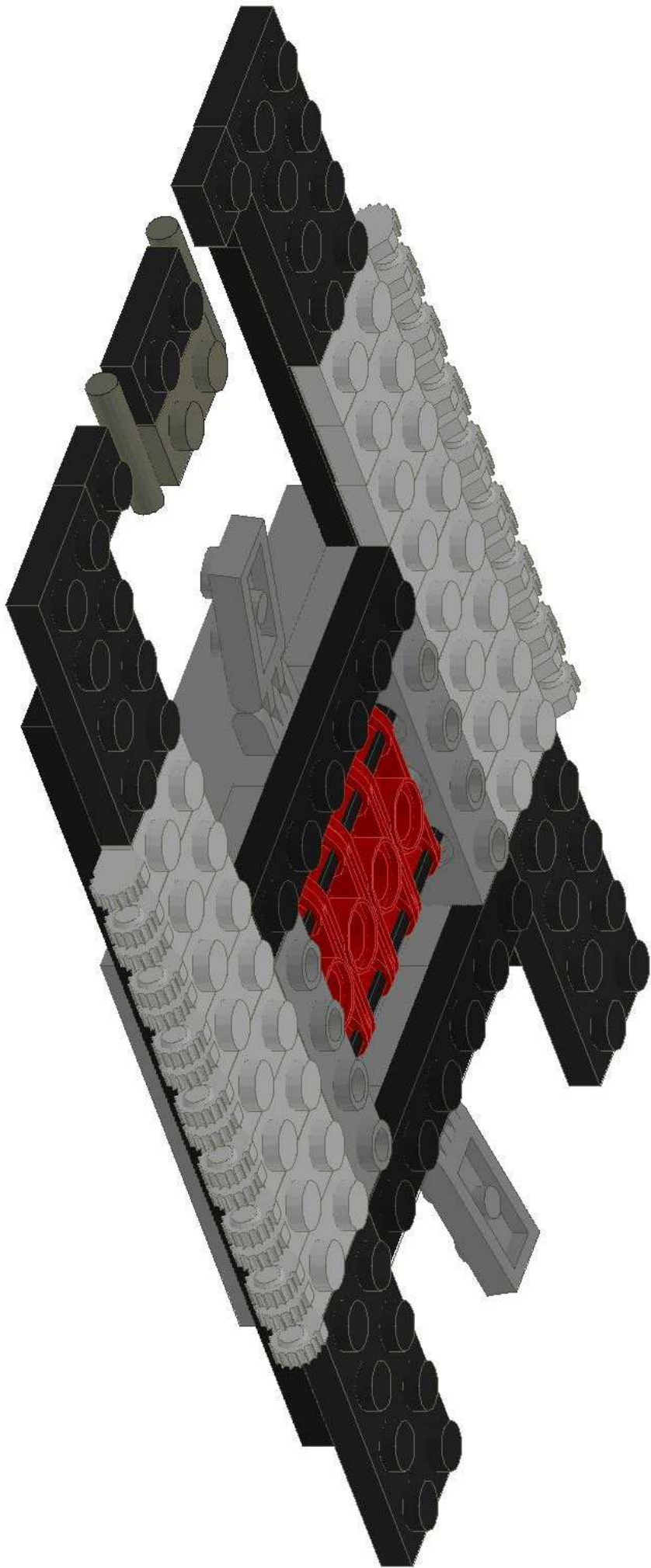






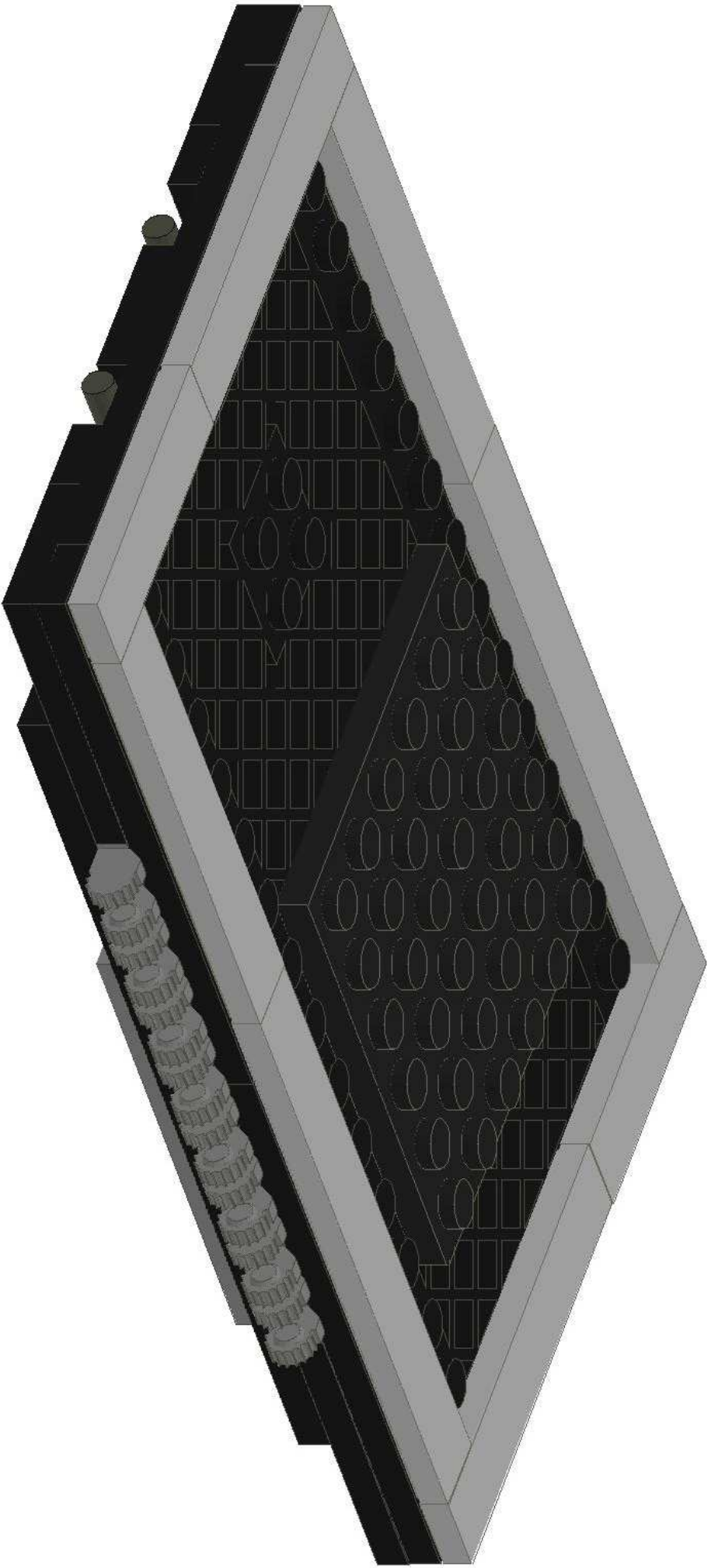


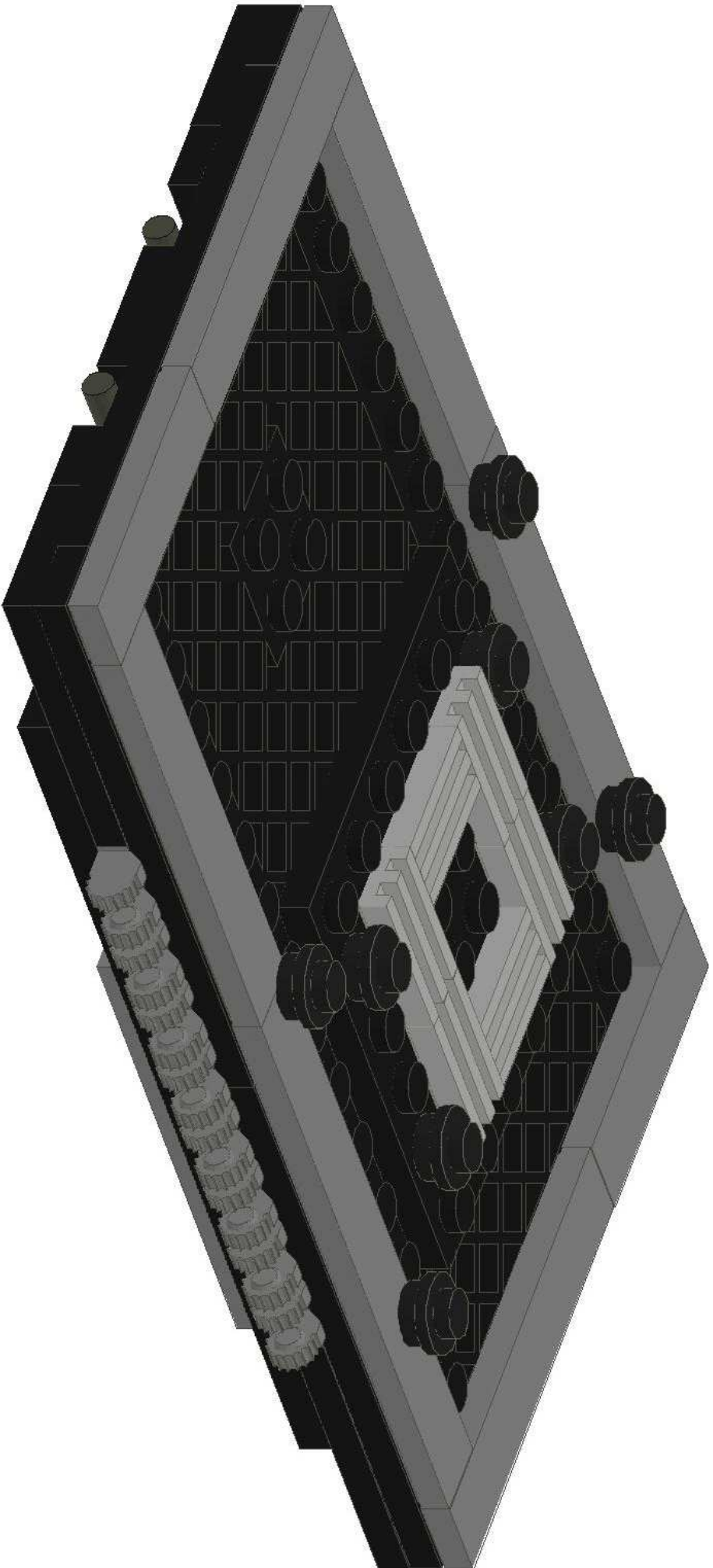


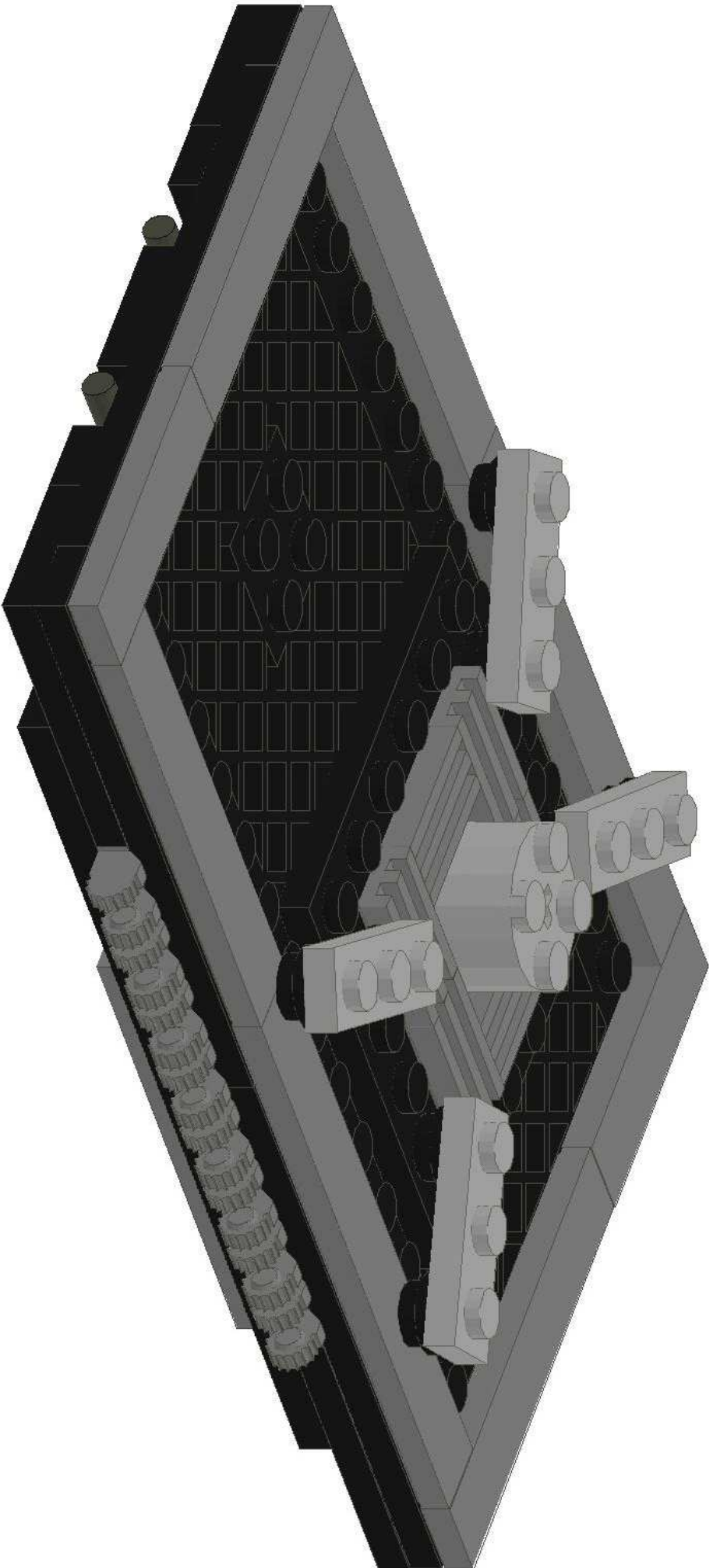


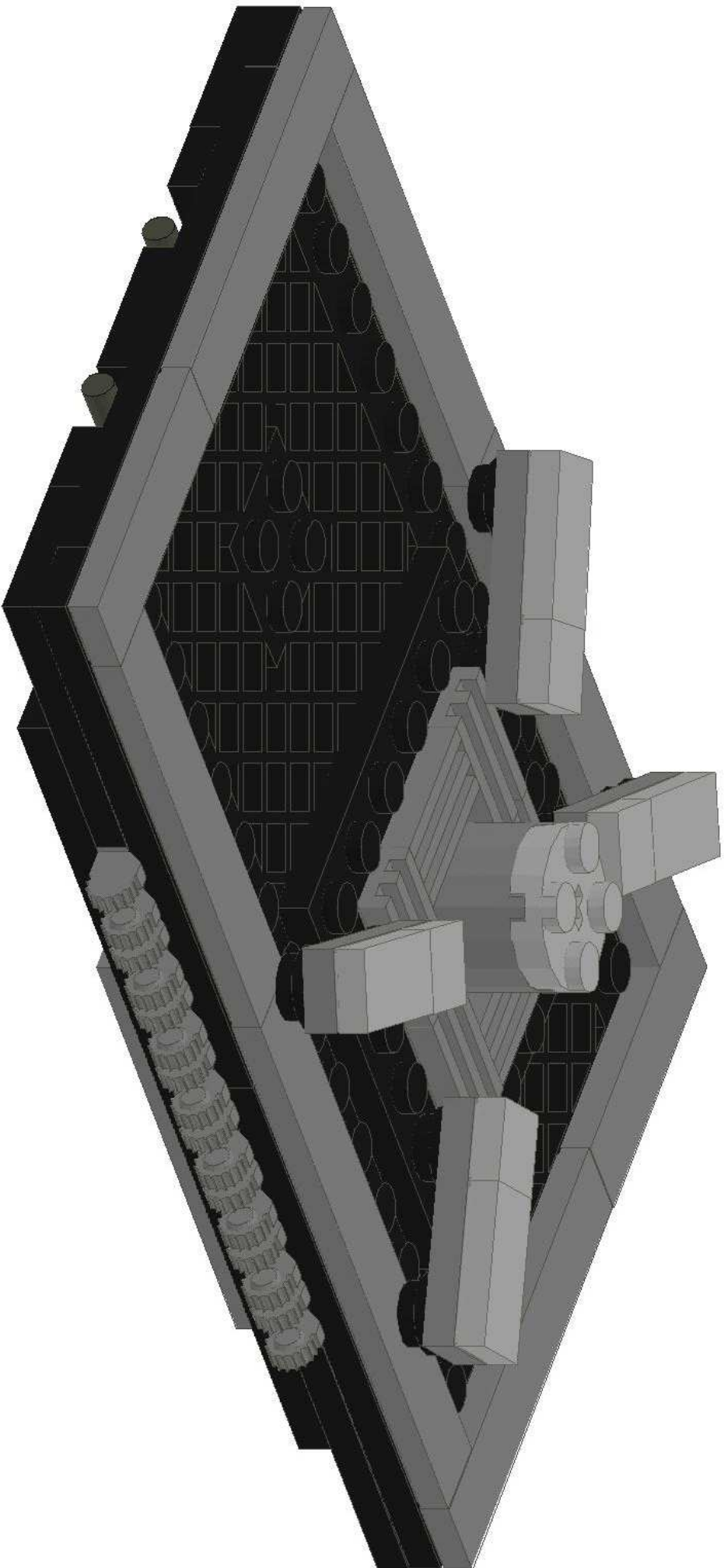


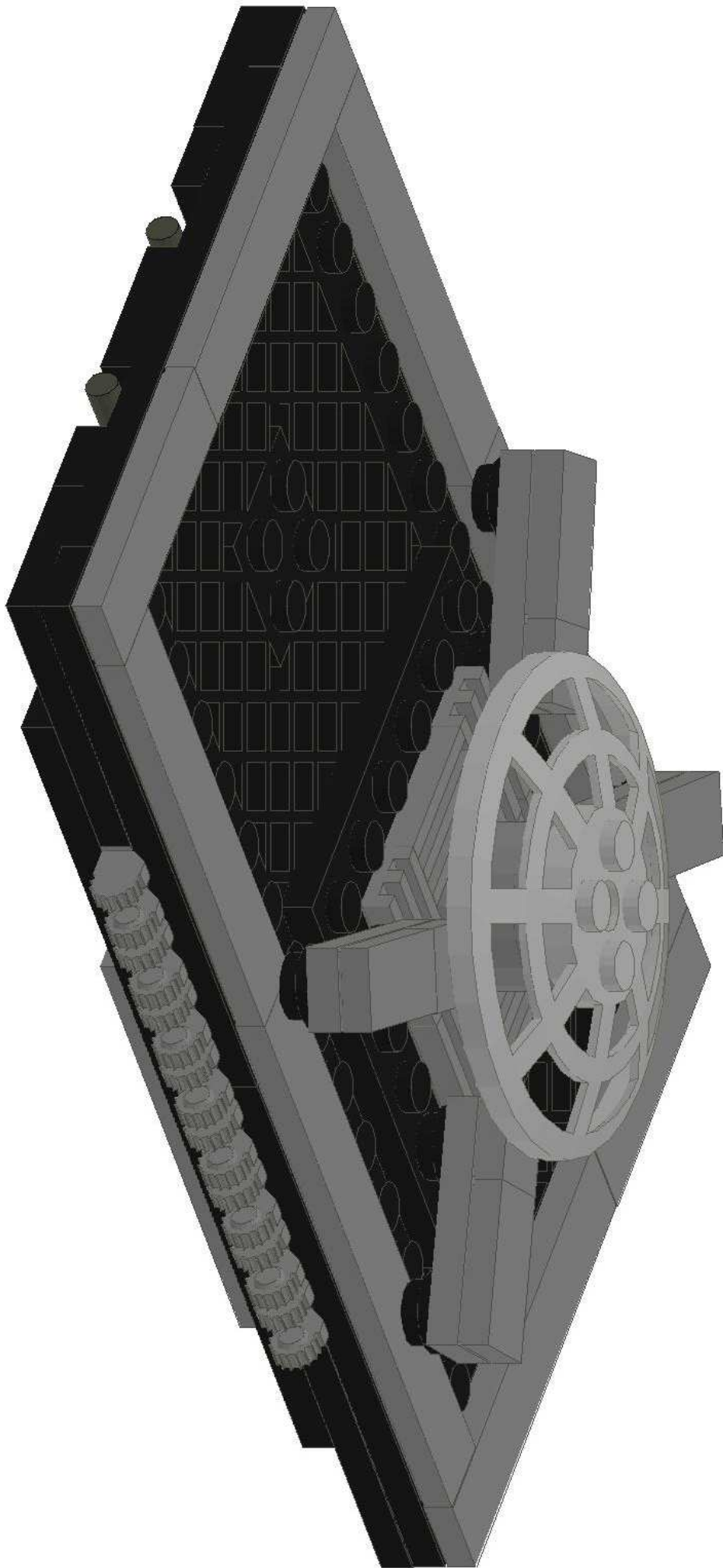


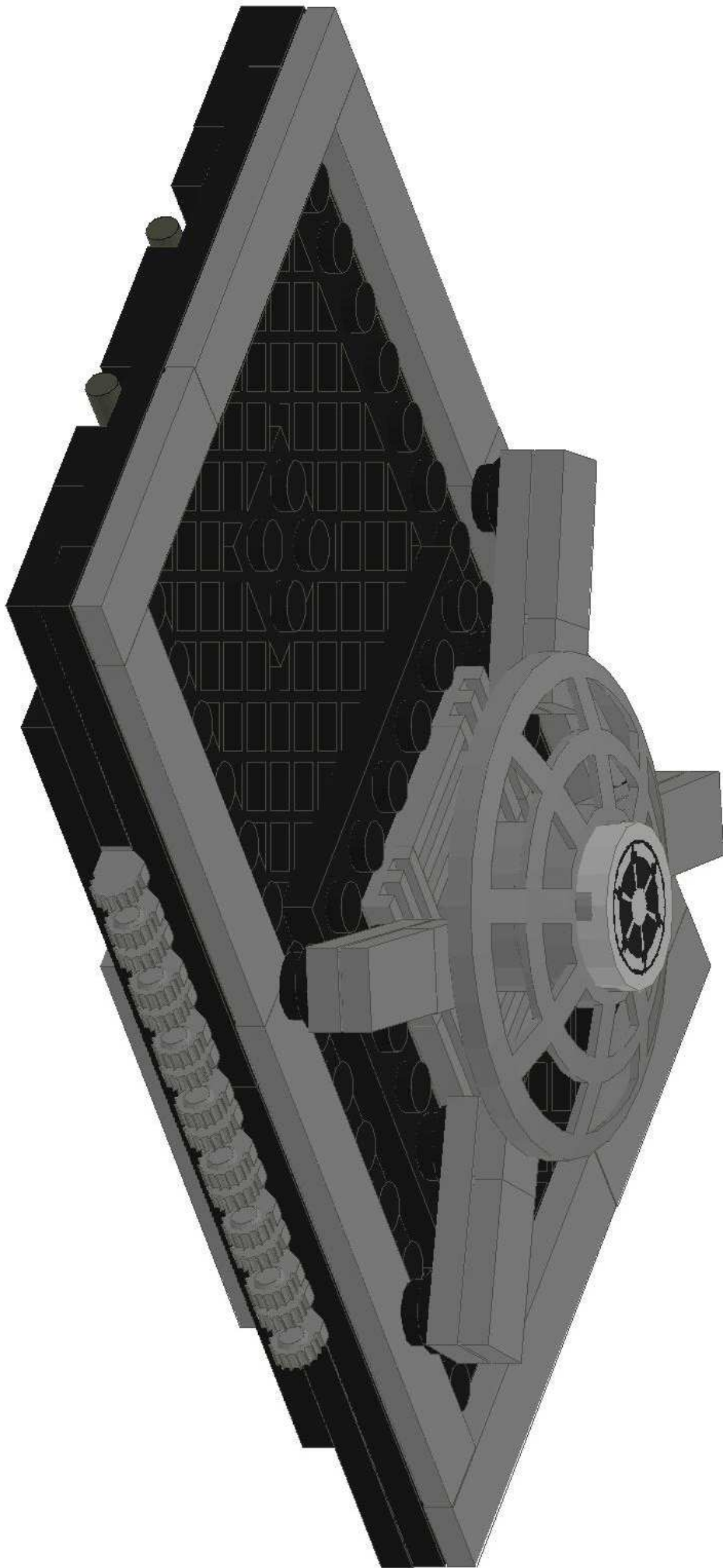






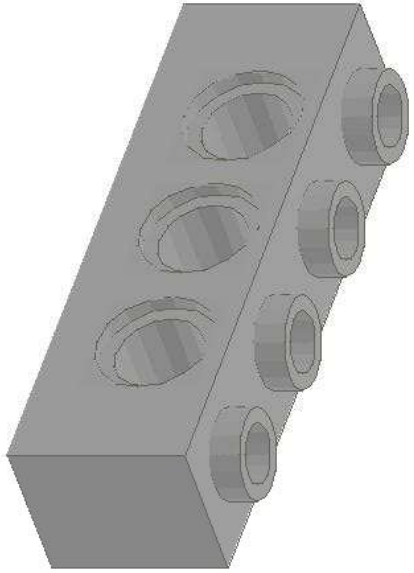


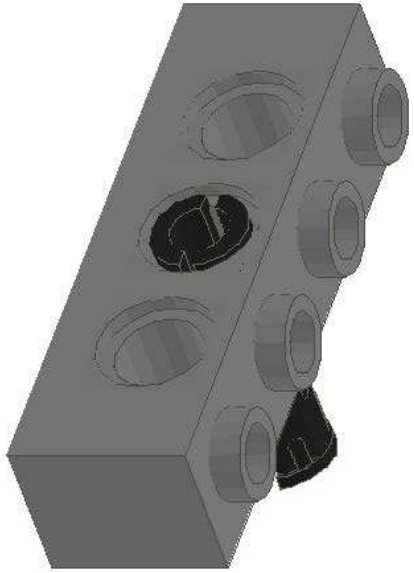


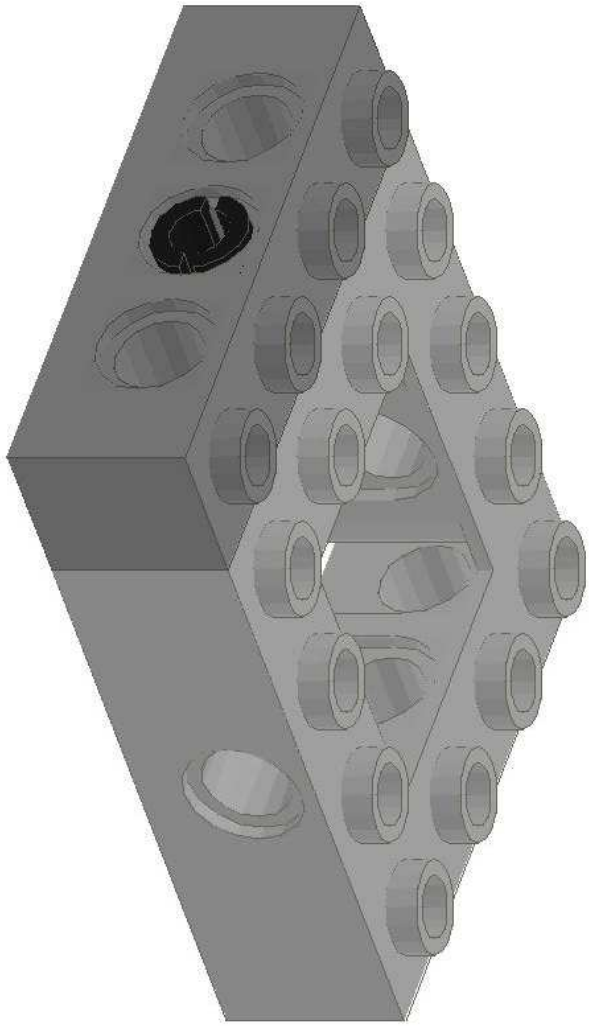


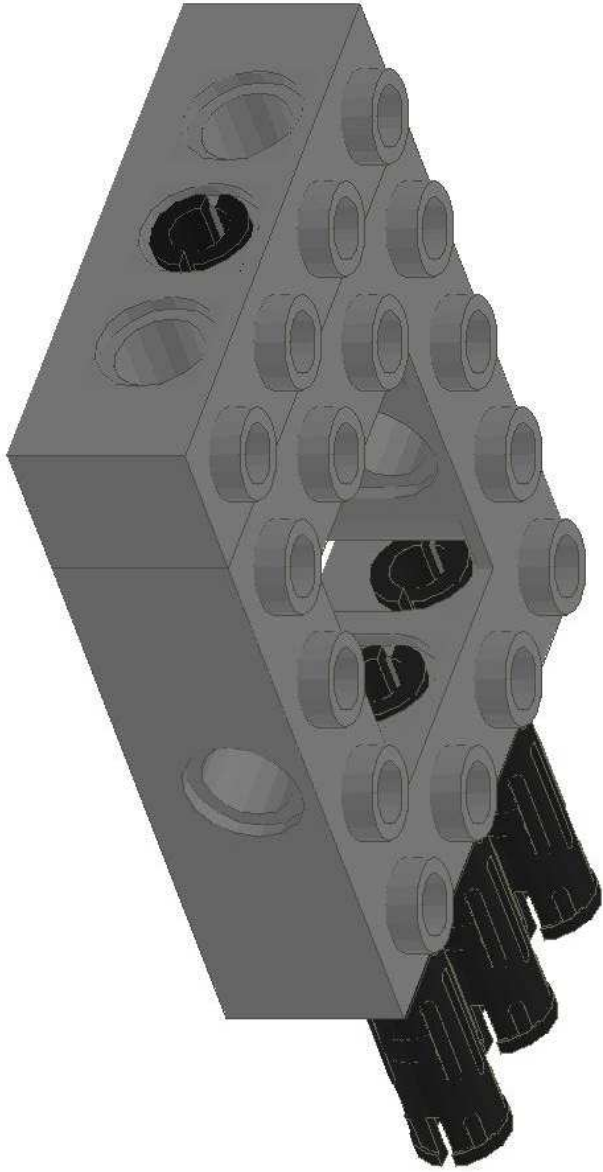
X 3

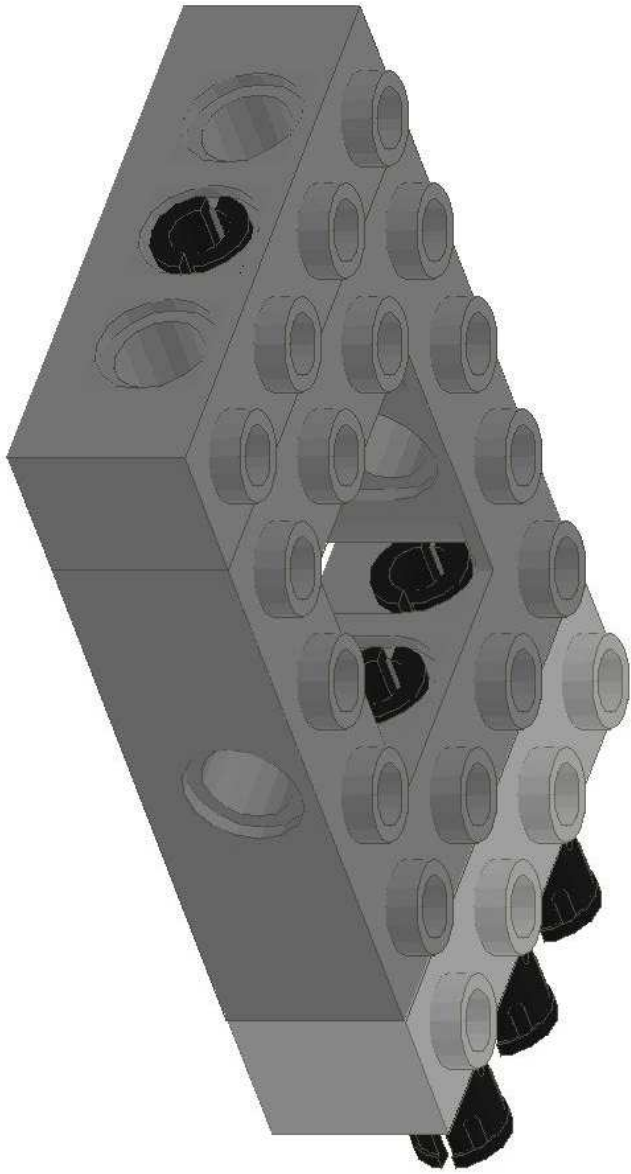


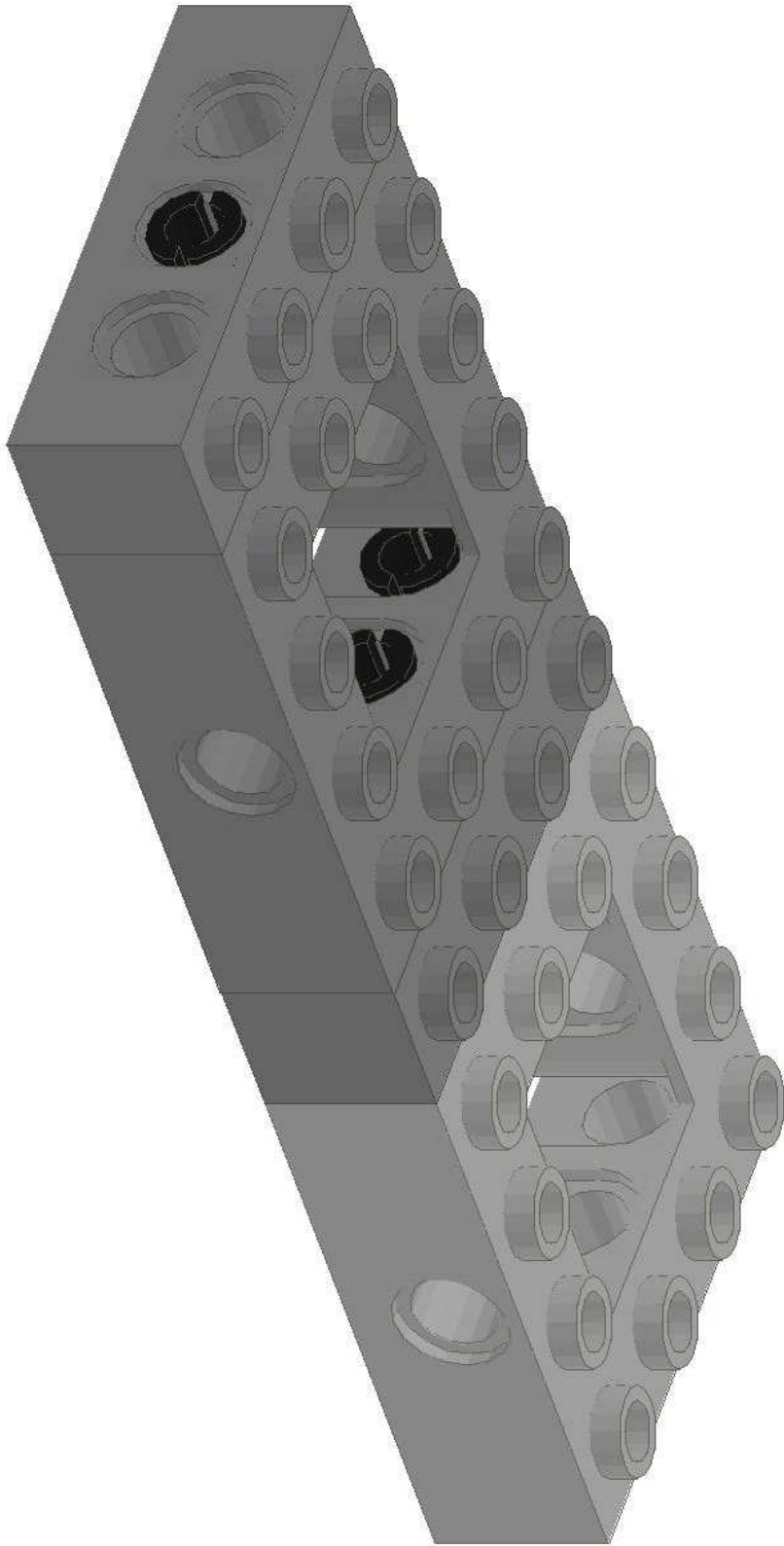


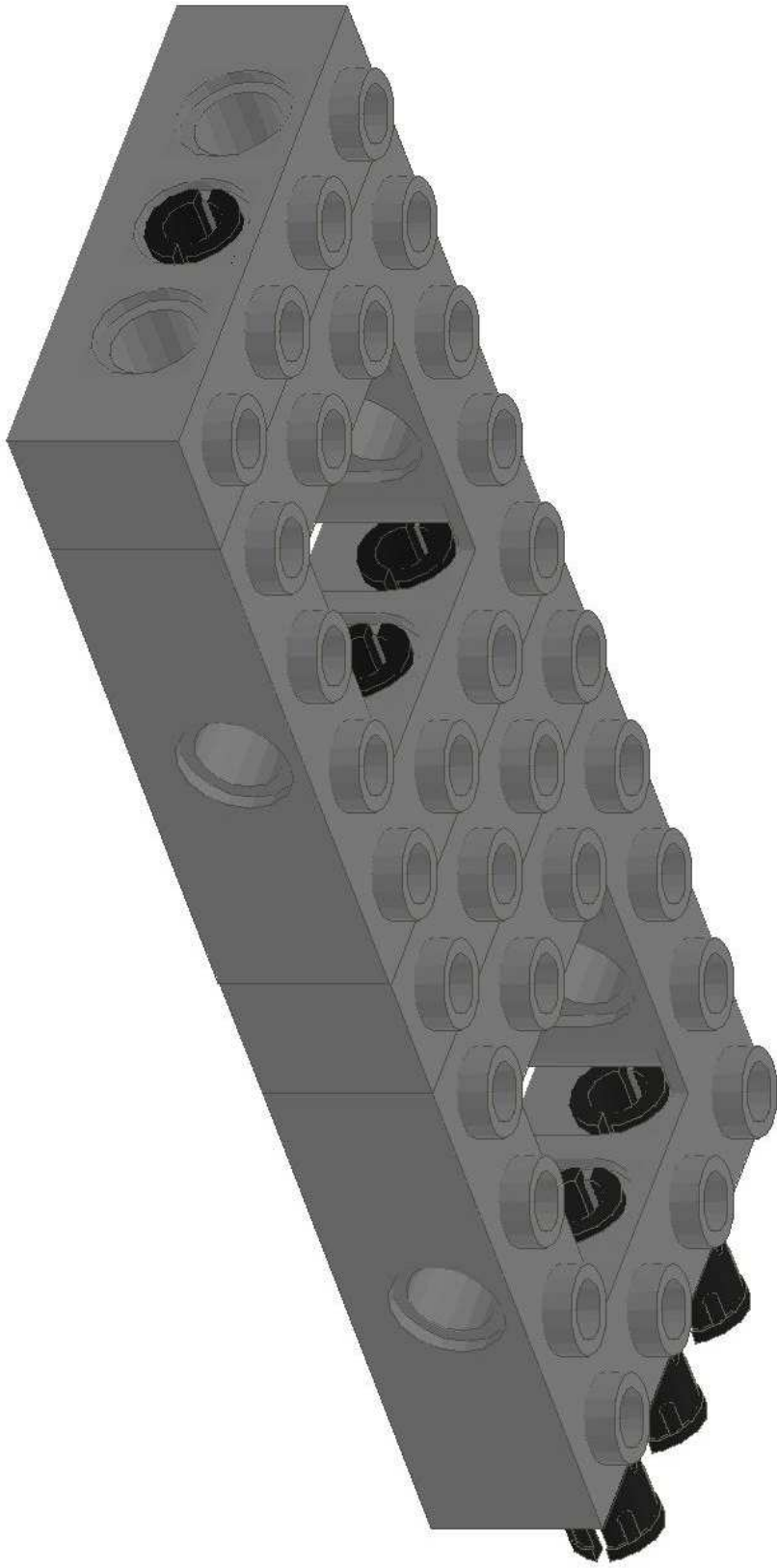


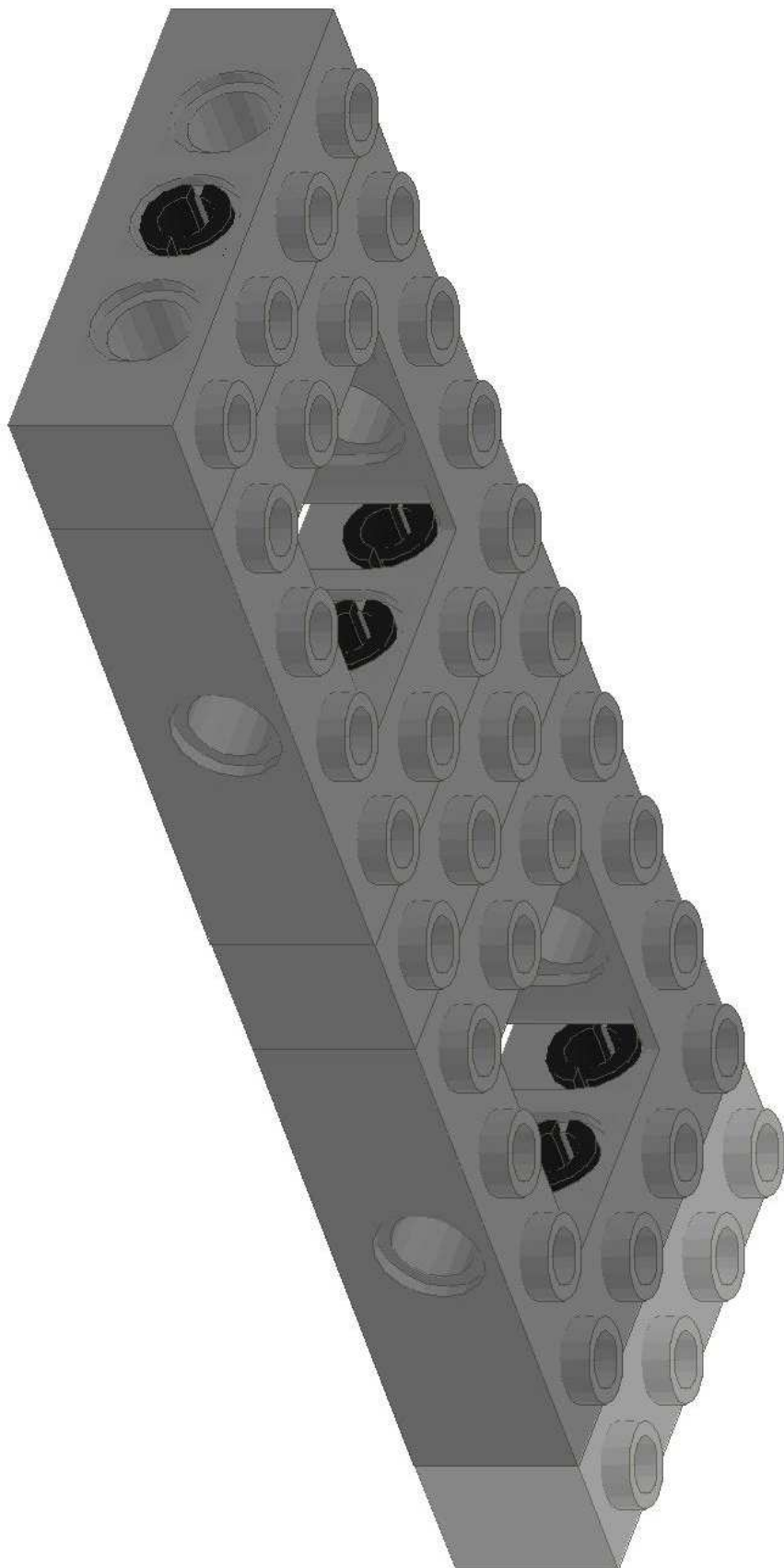




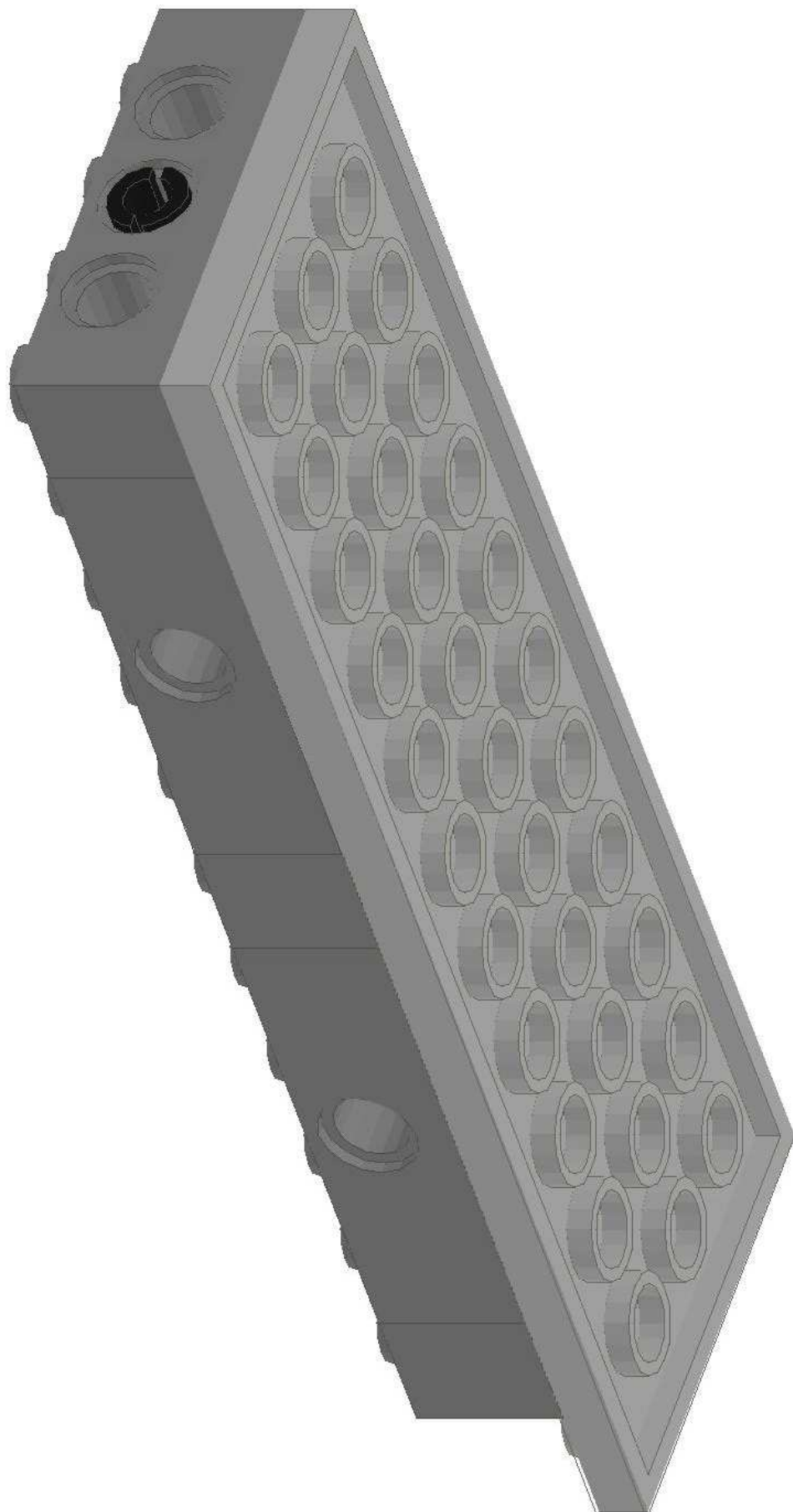


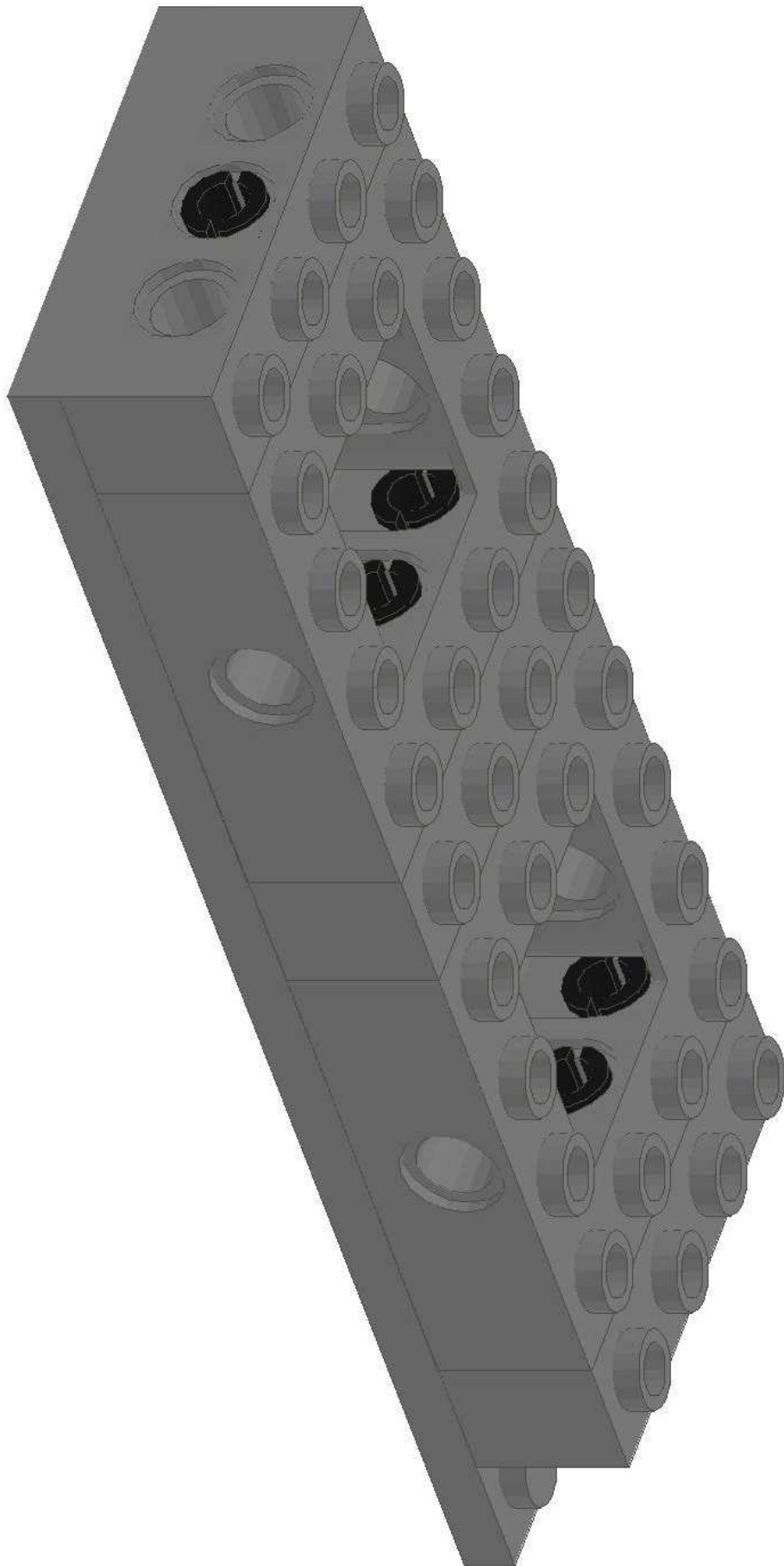


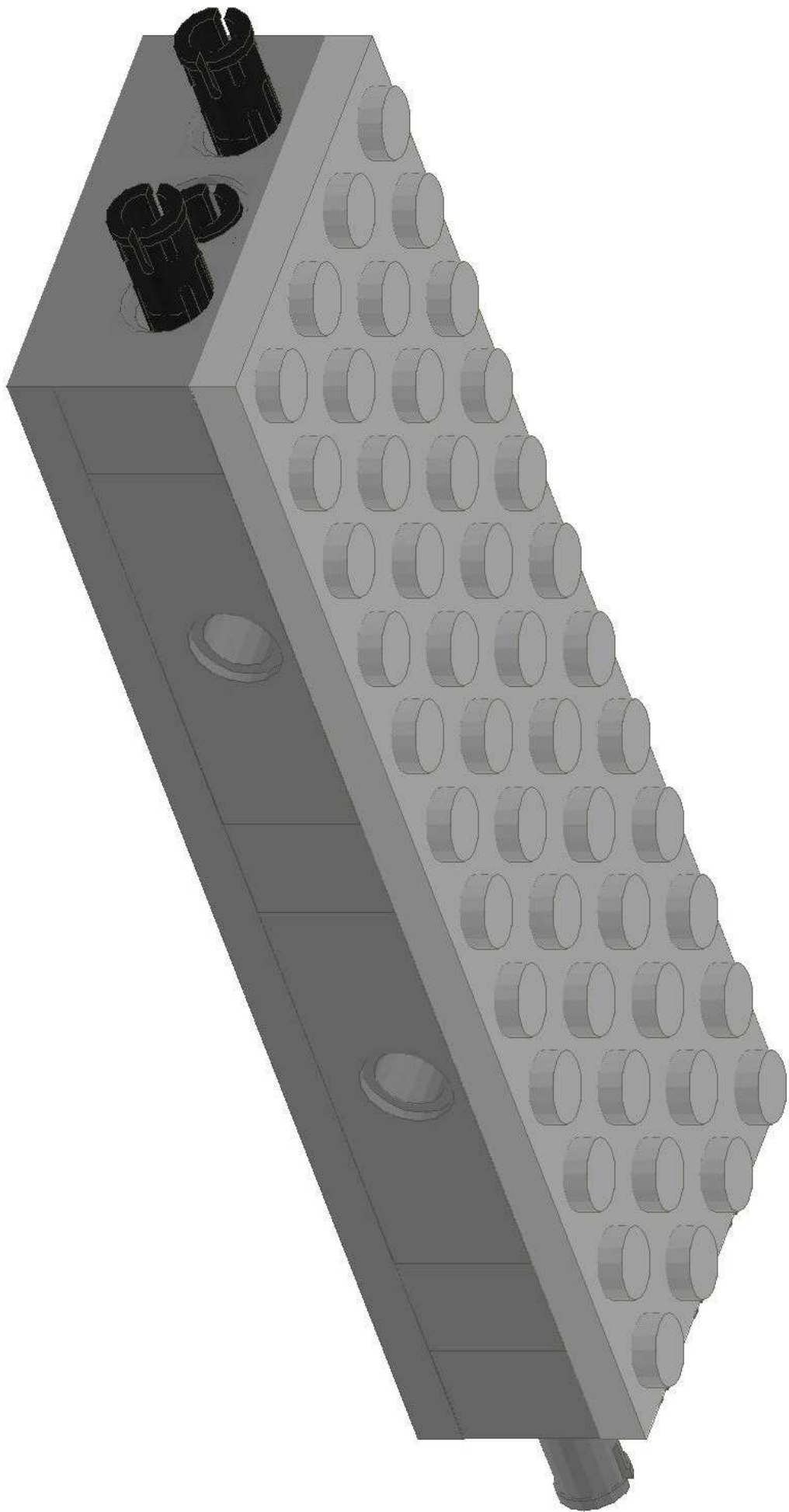


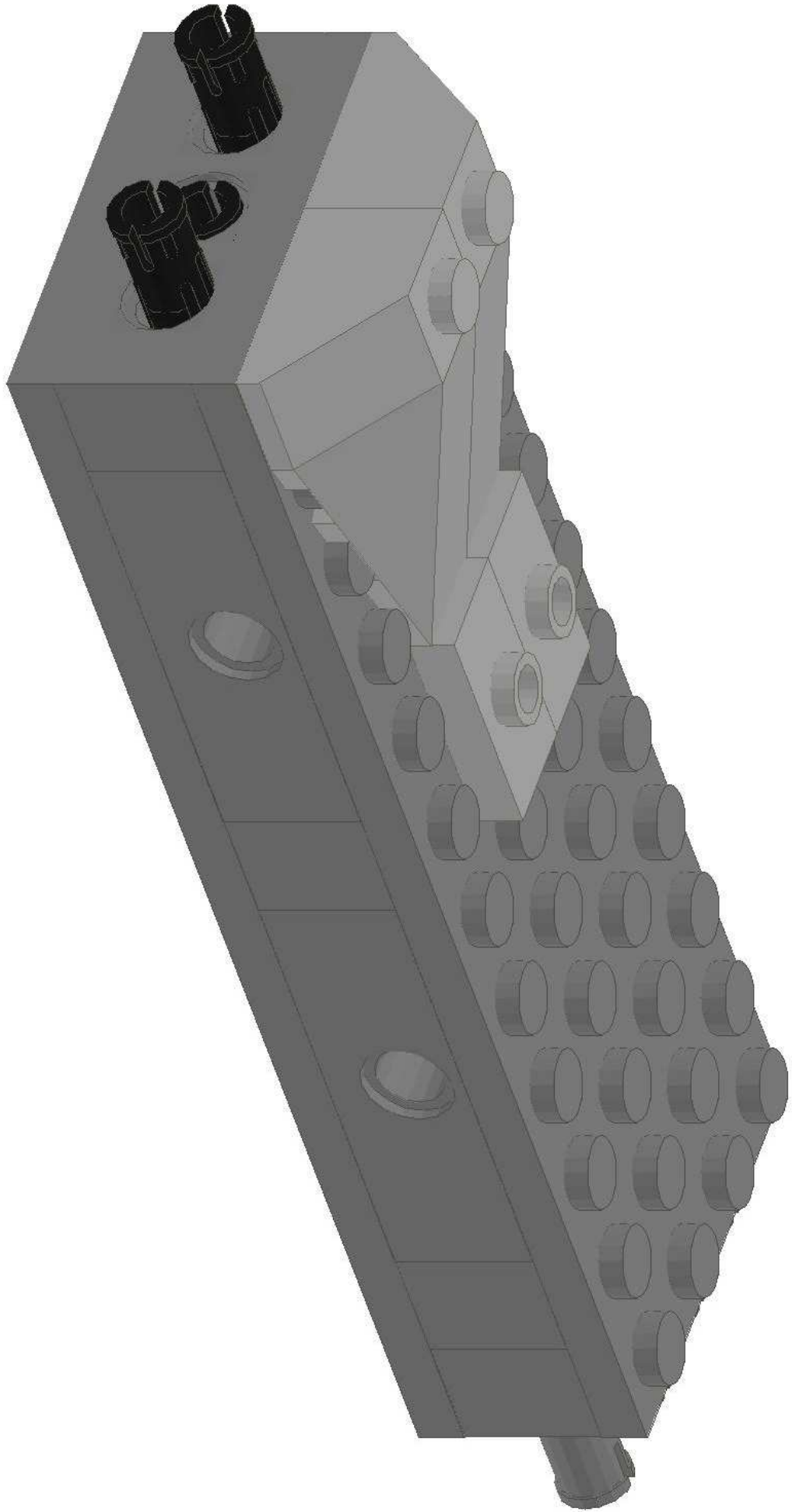


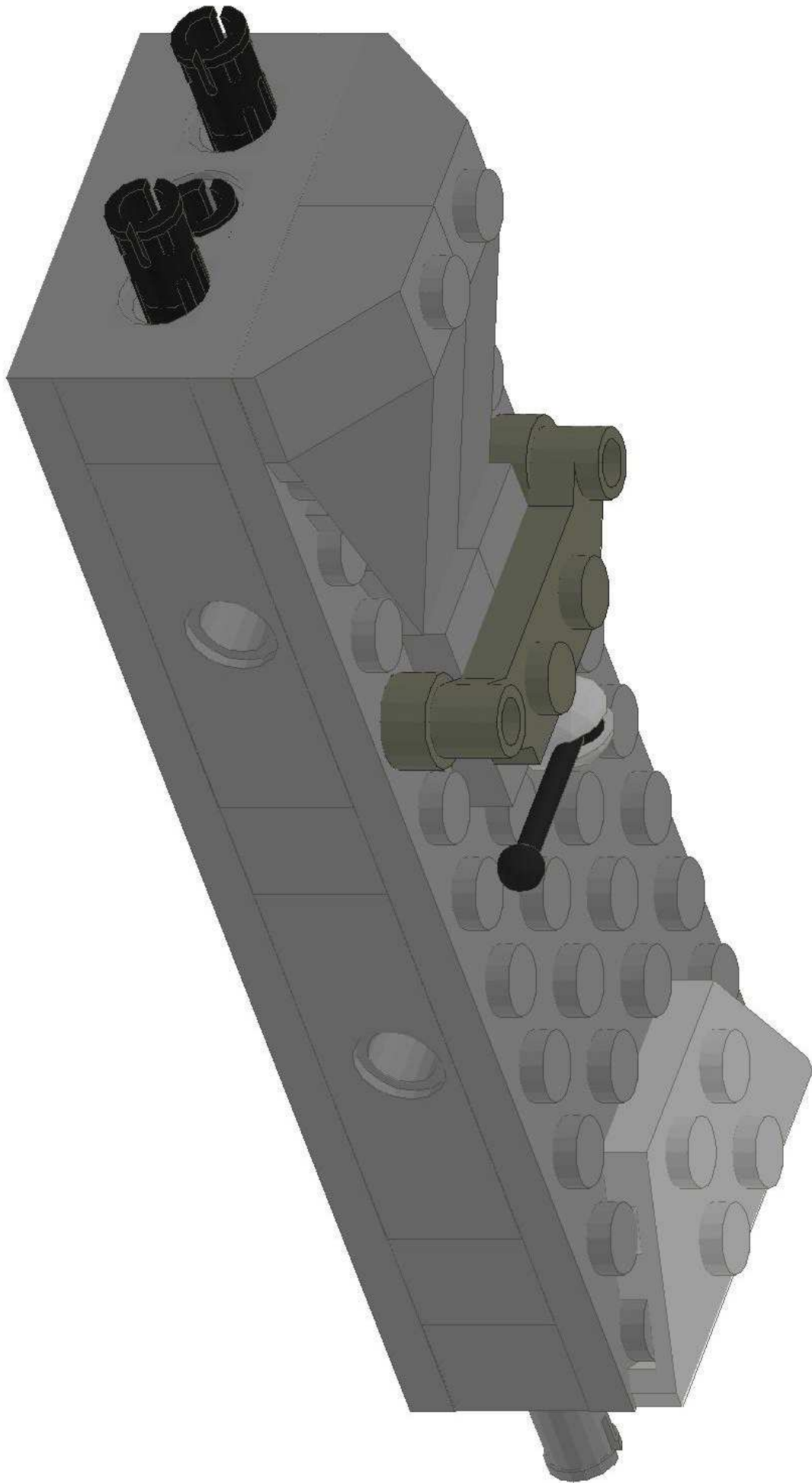


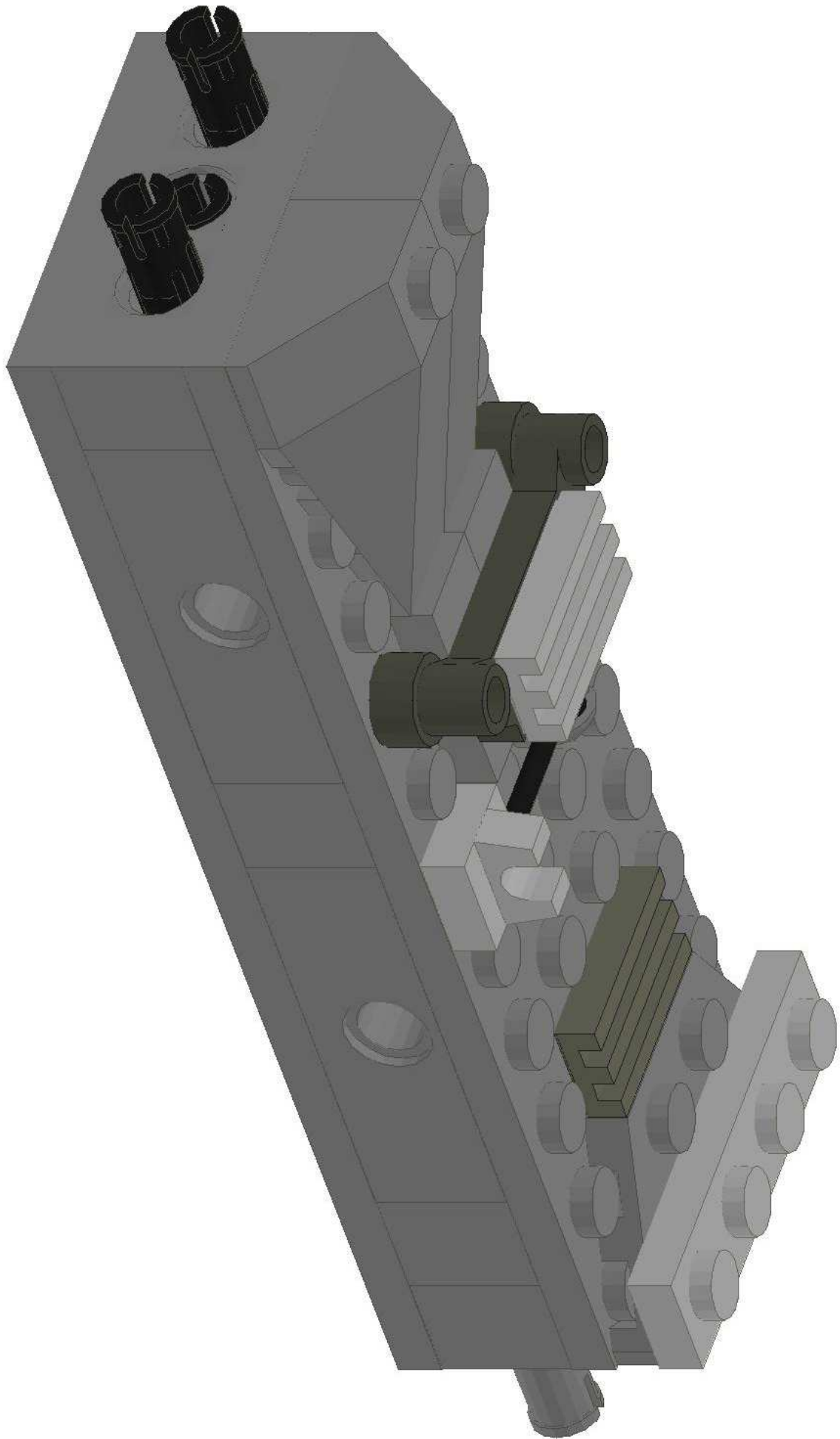


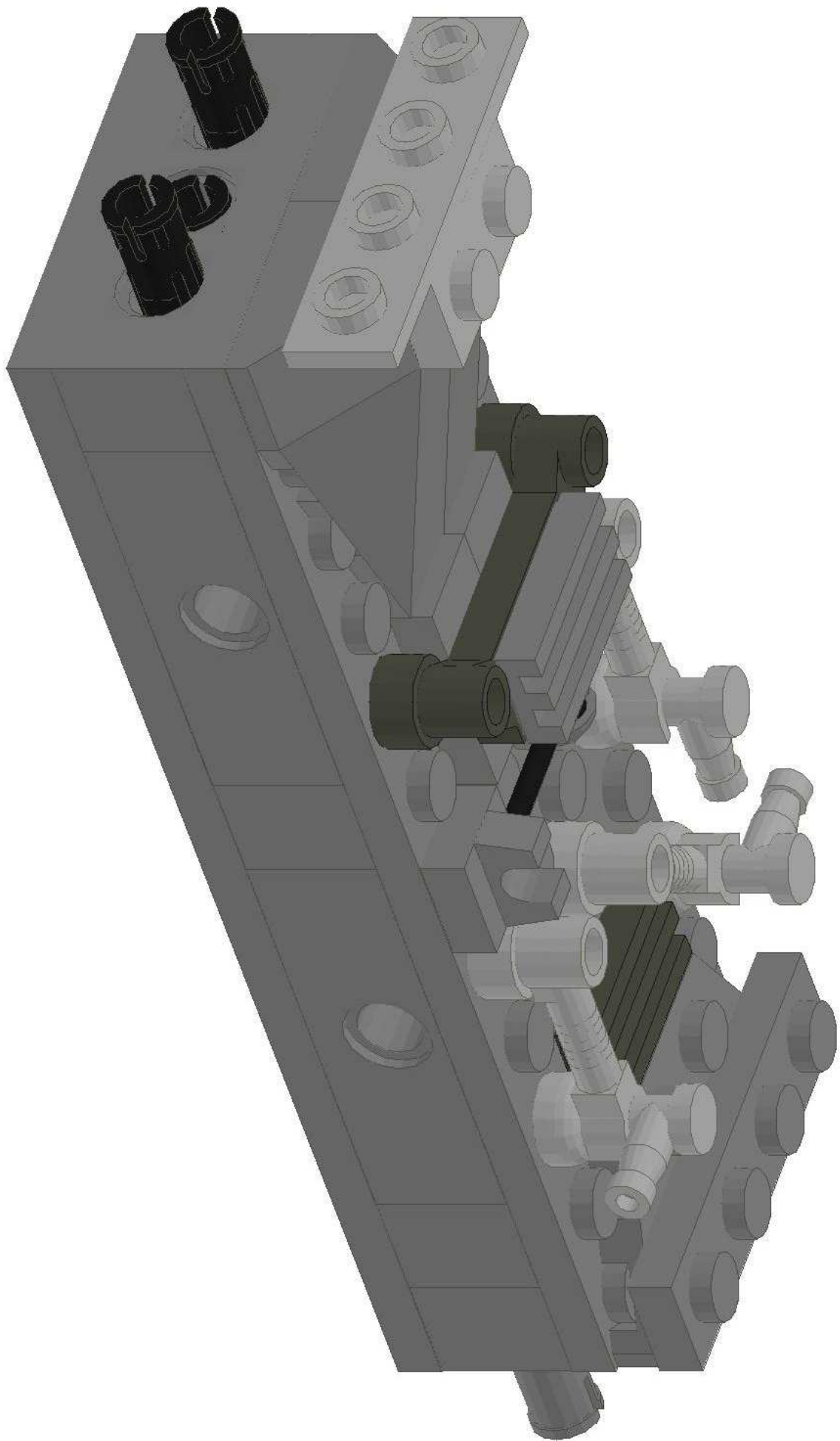


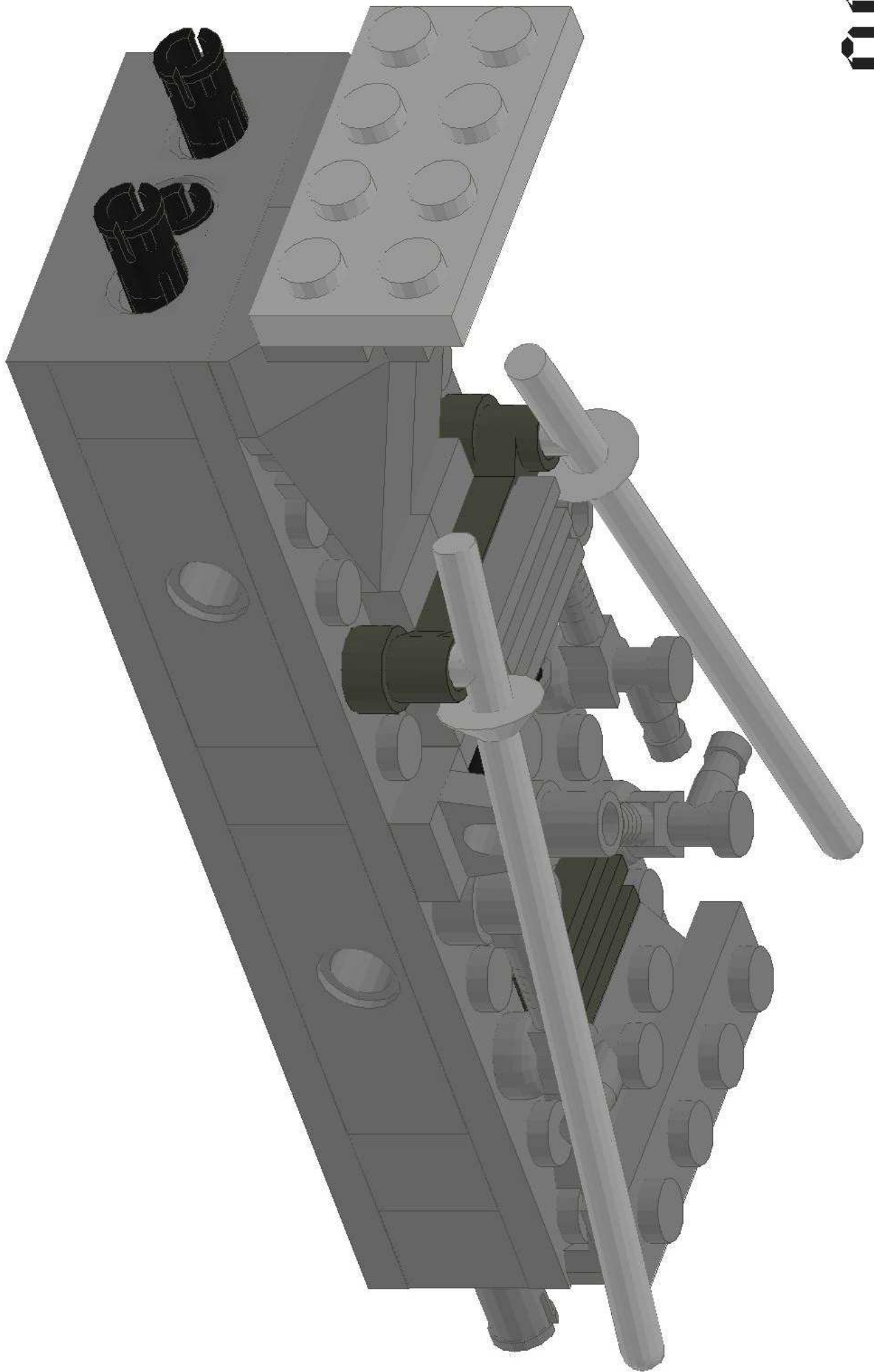


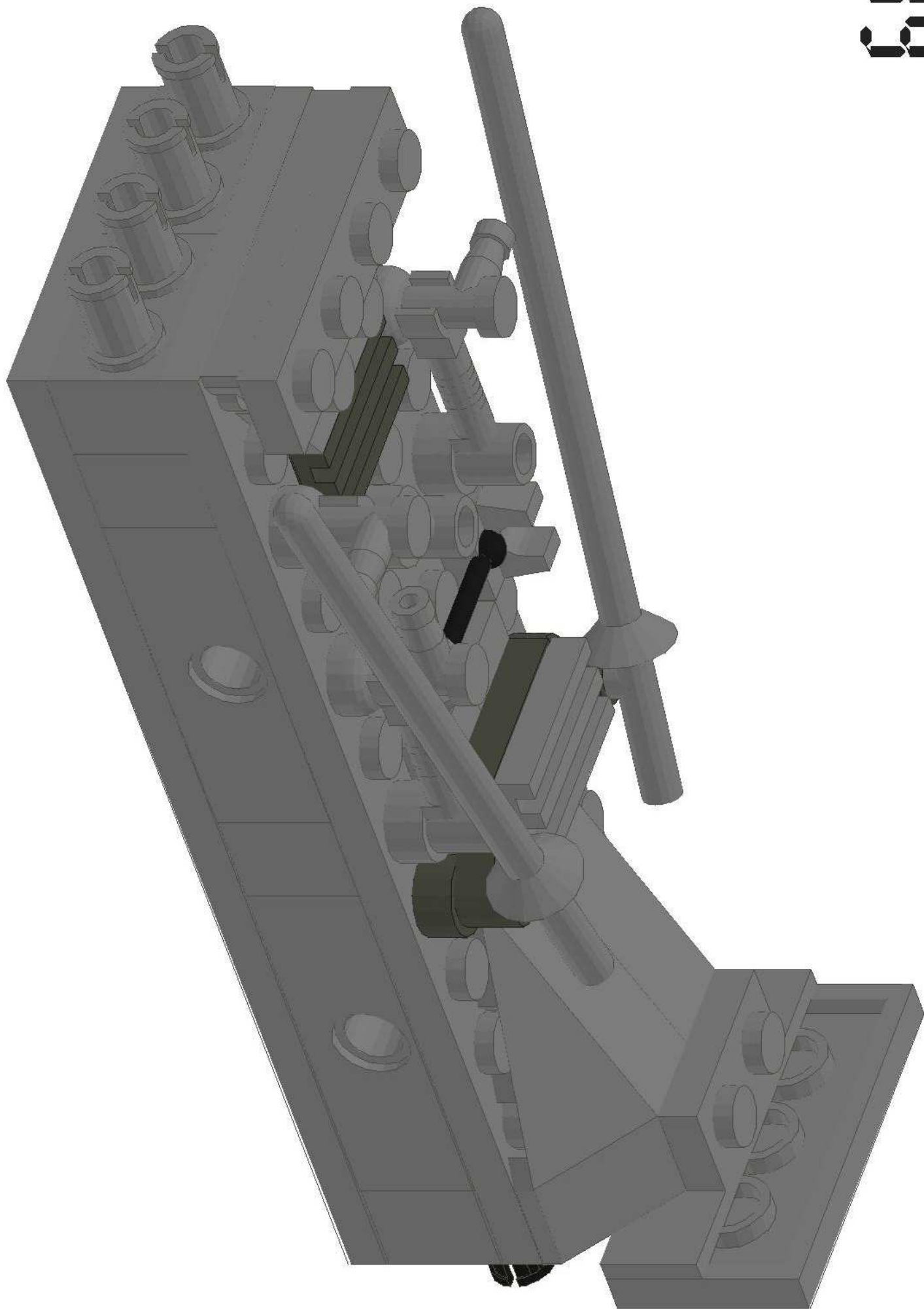


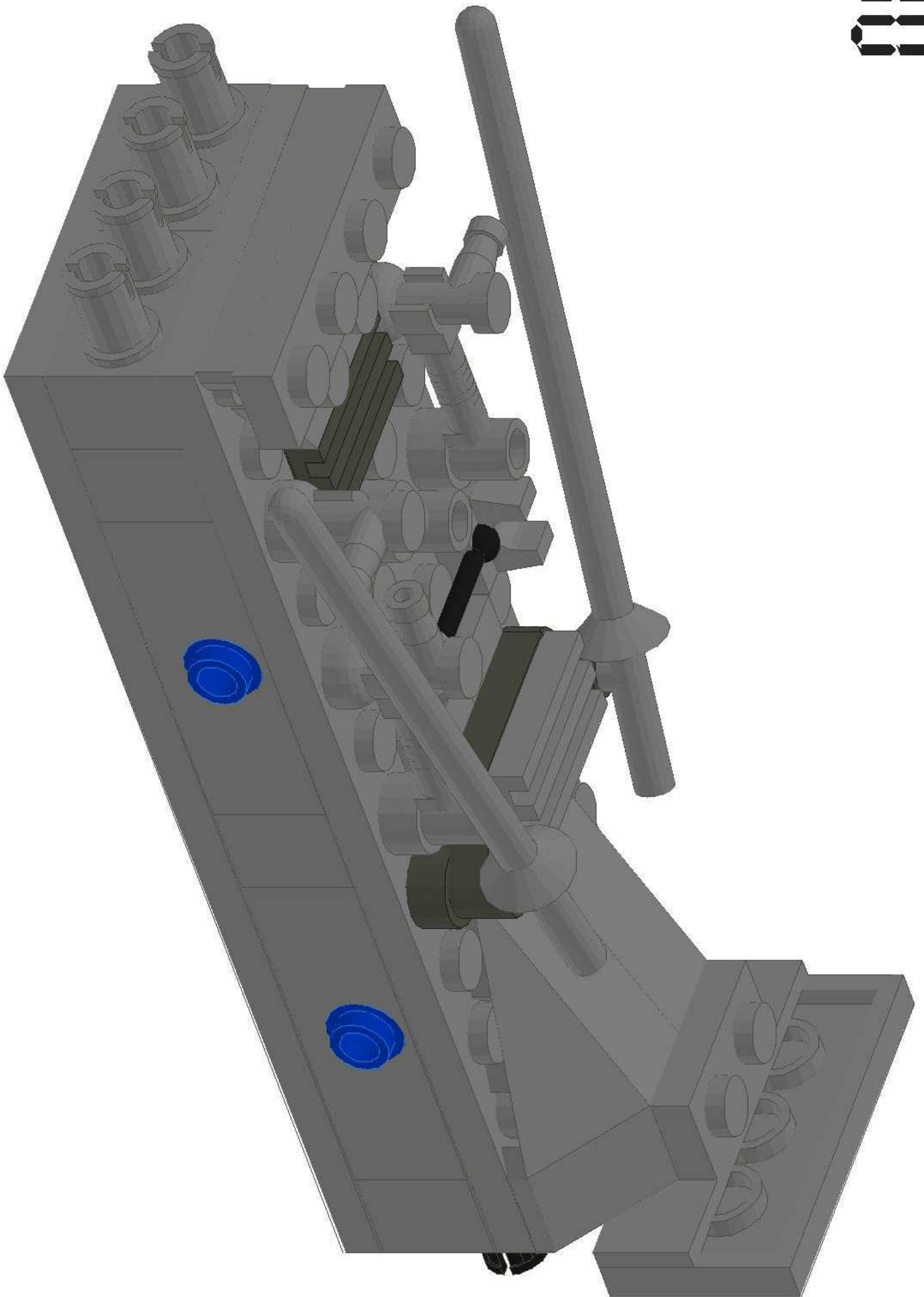


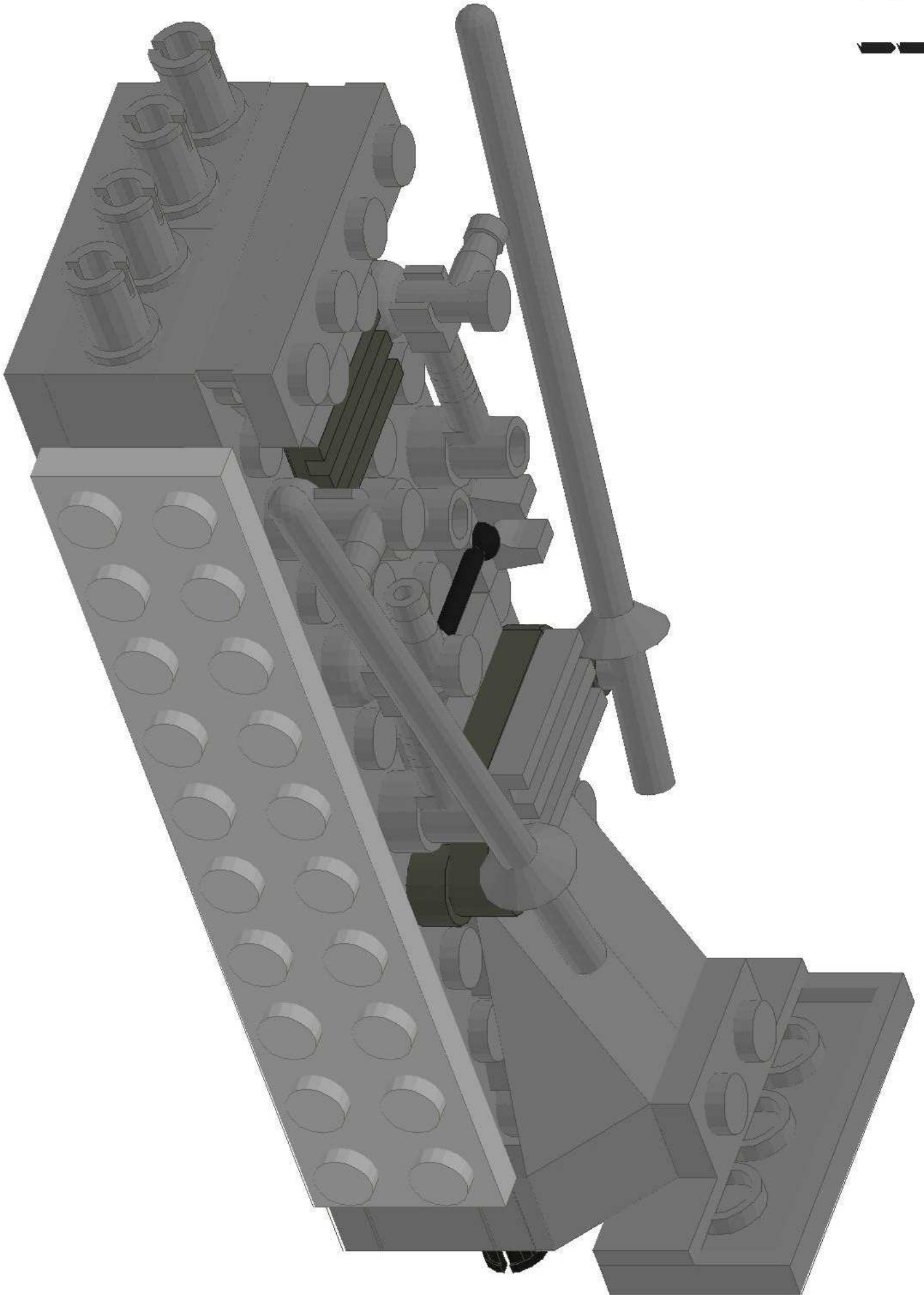


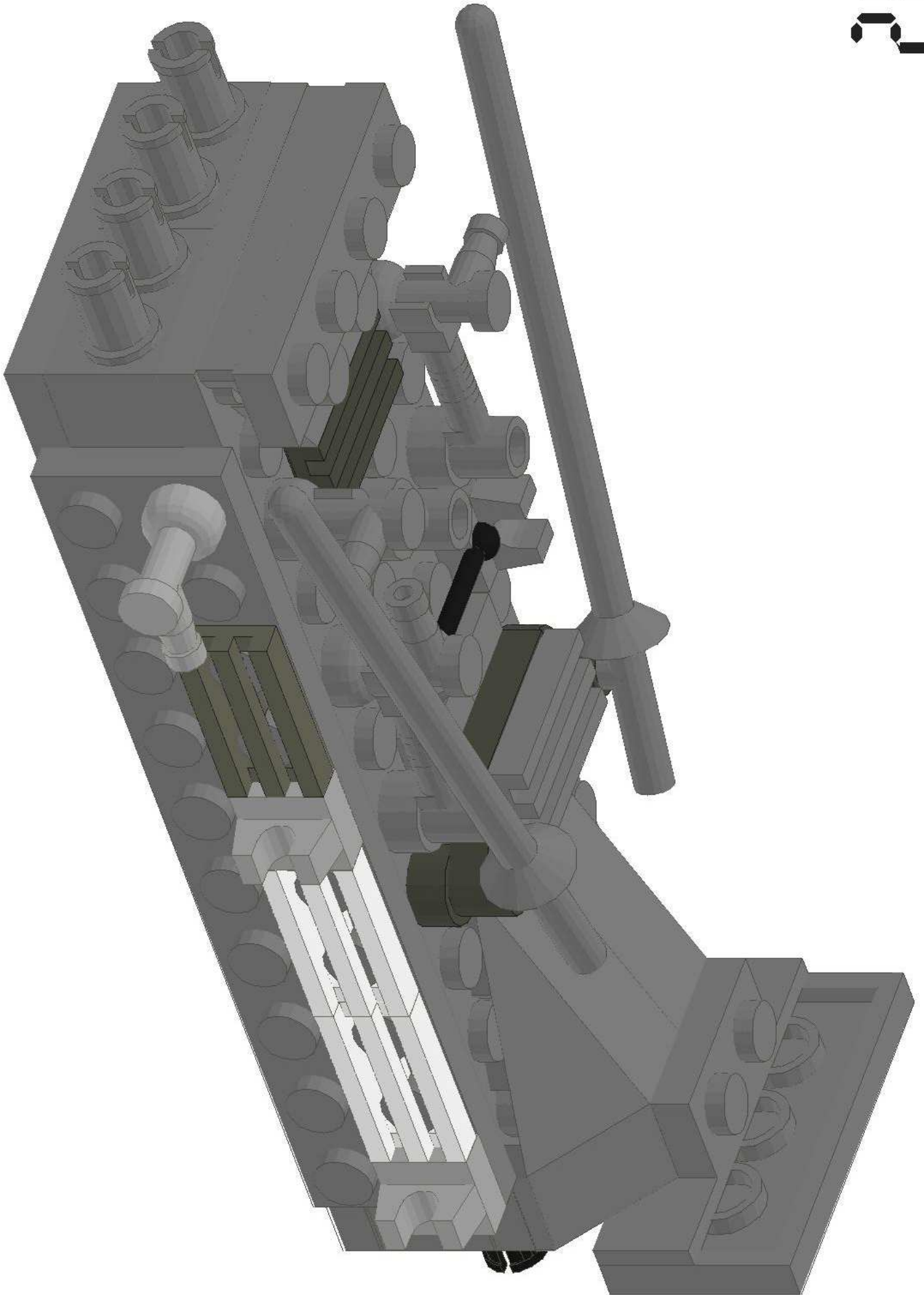


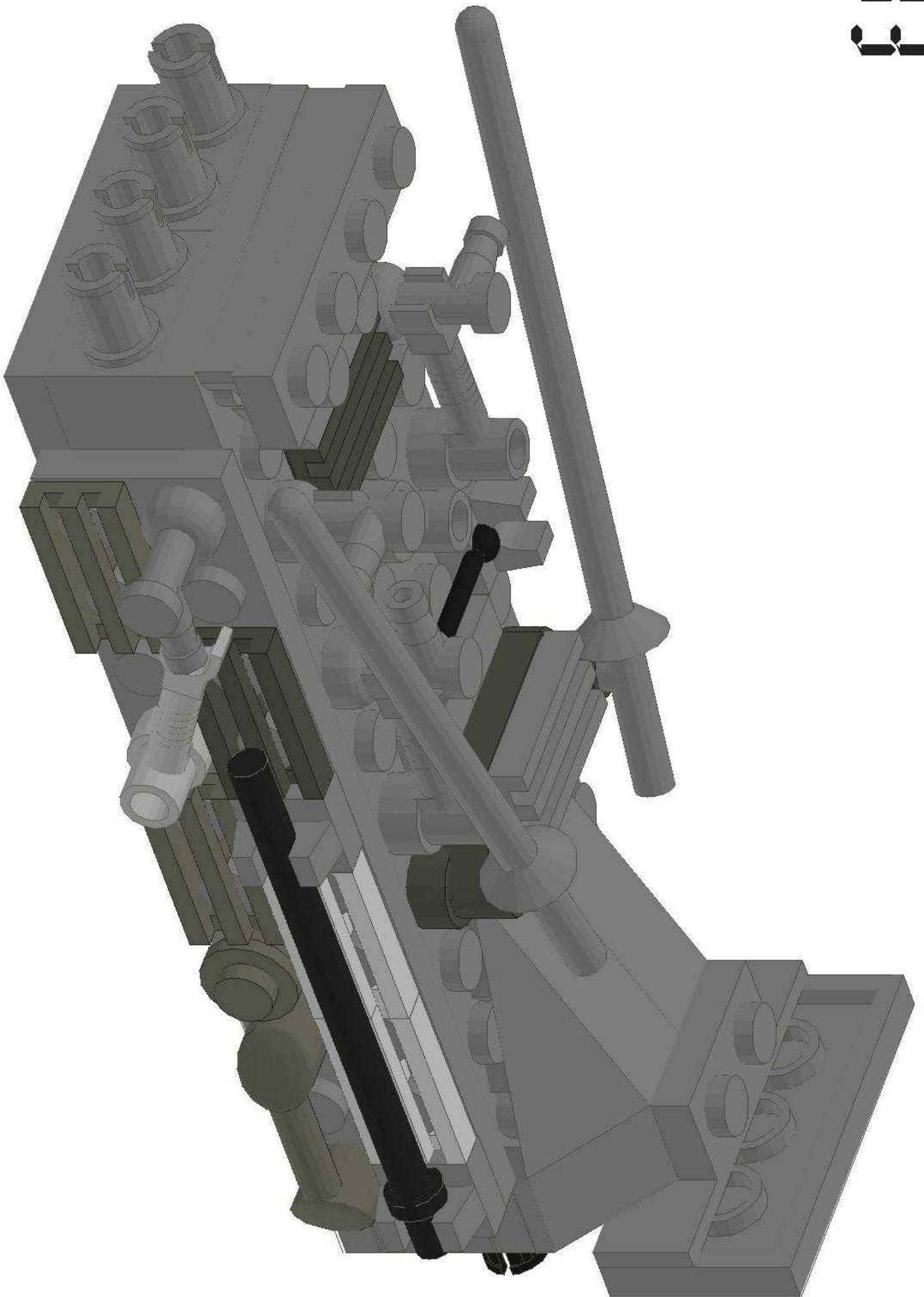


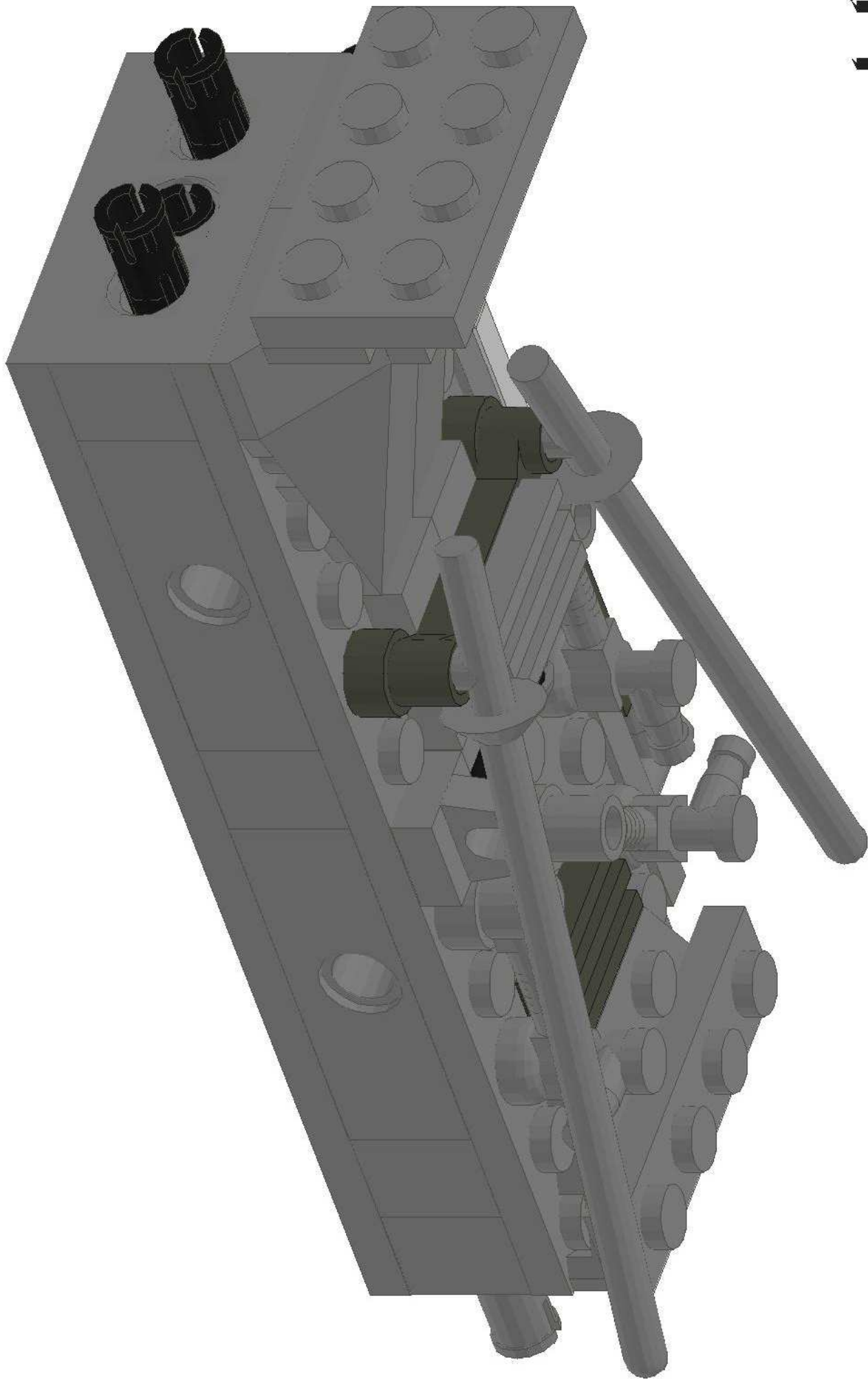


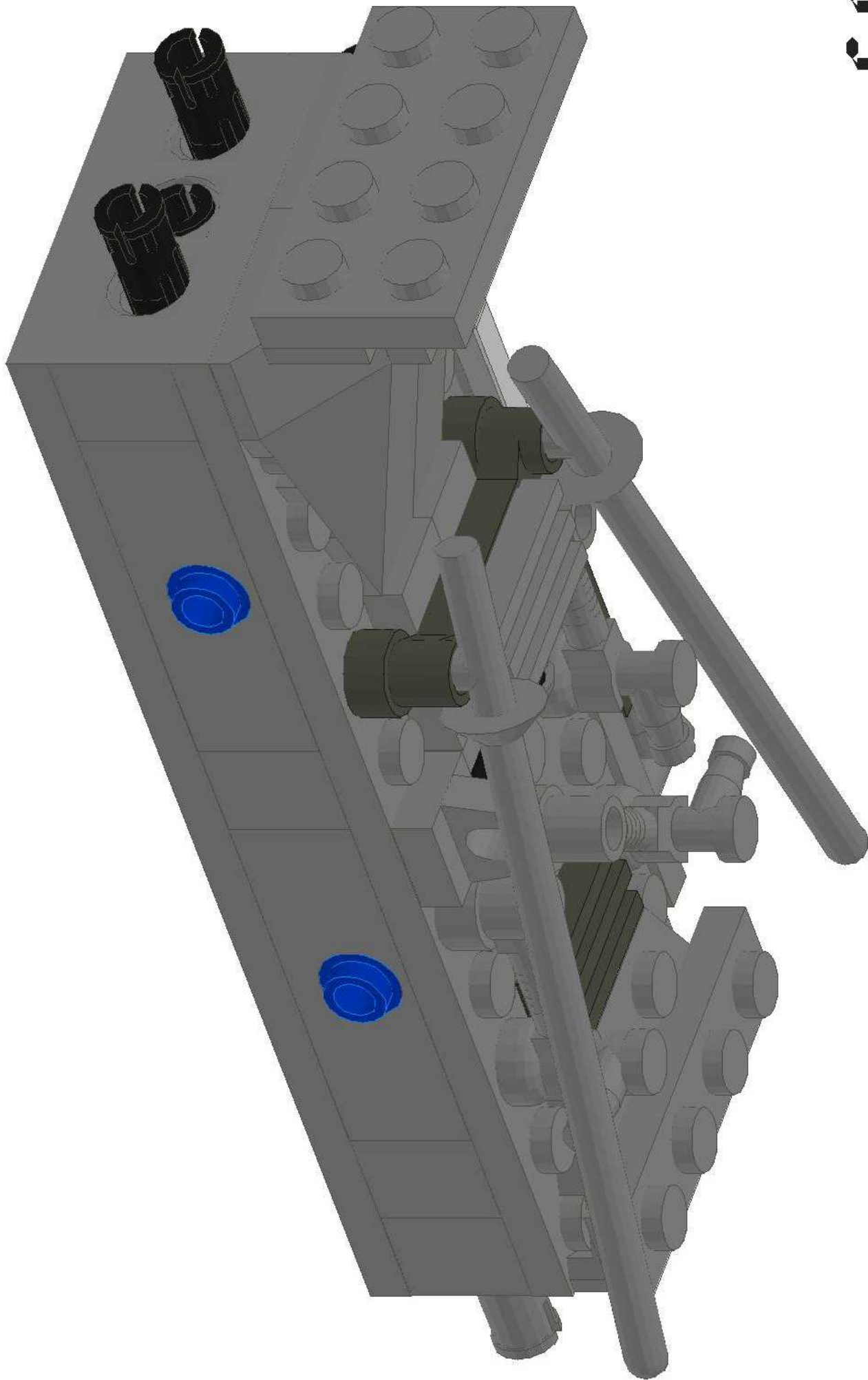


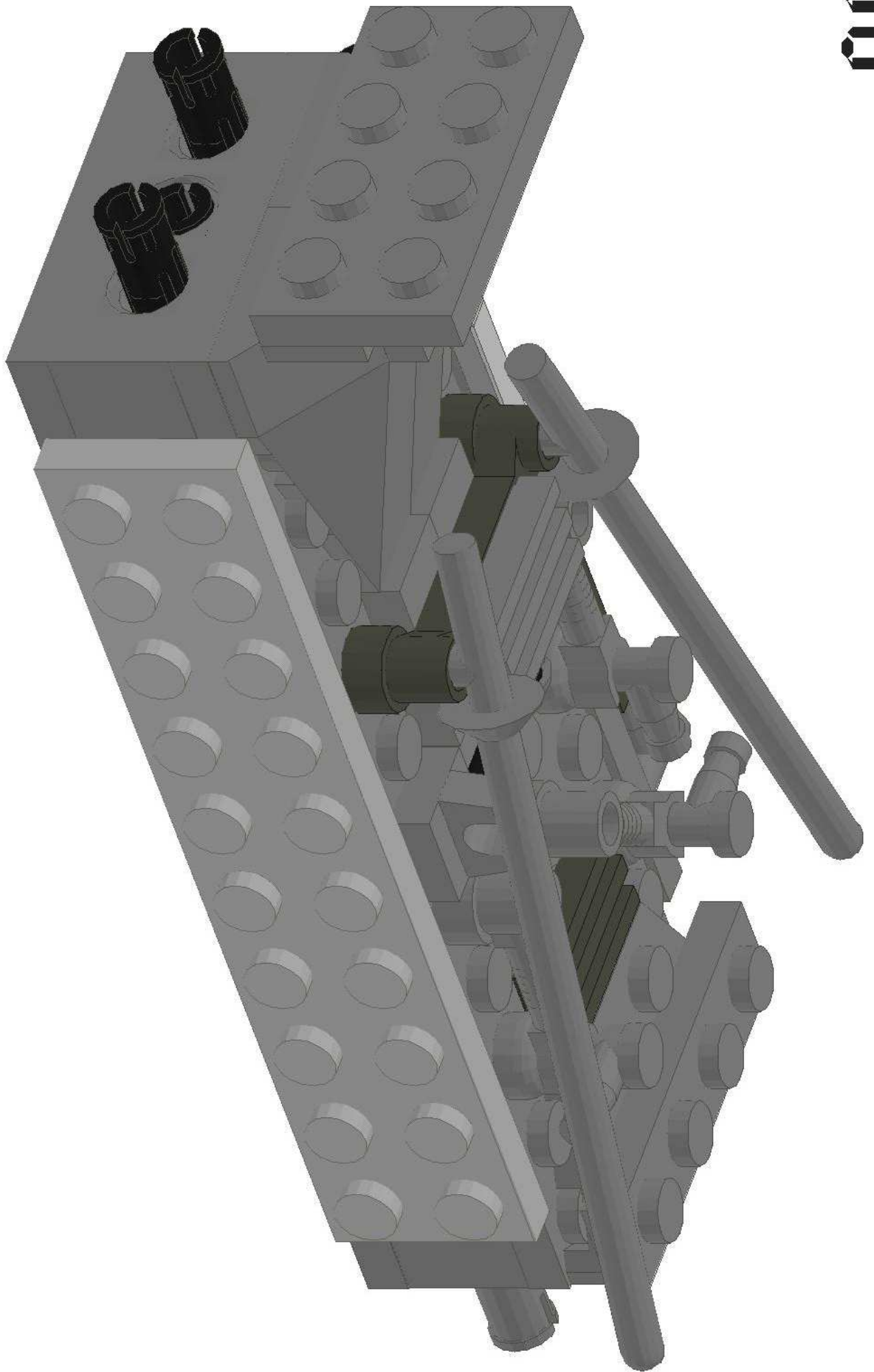


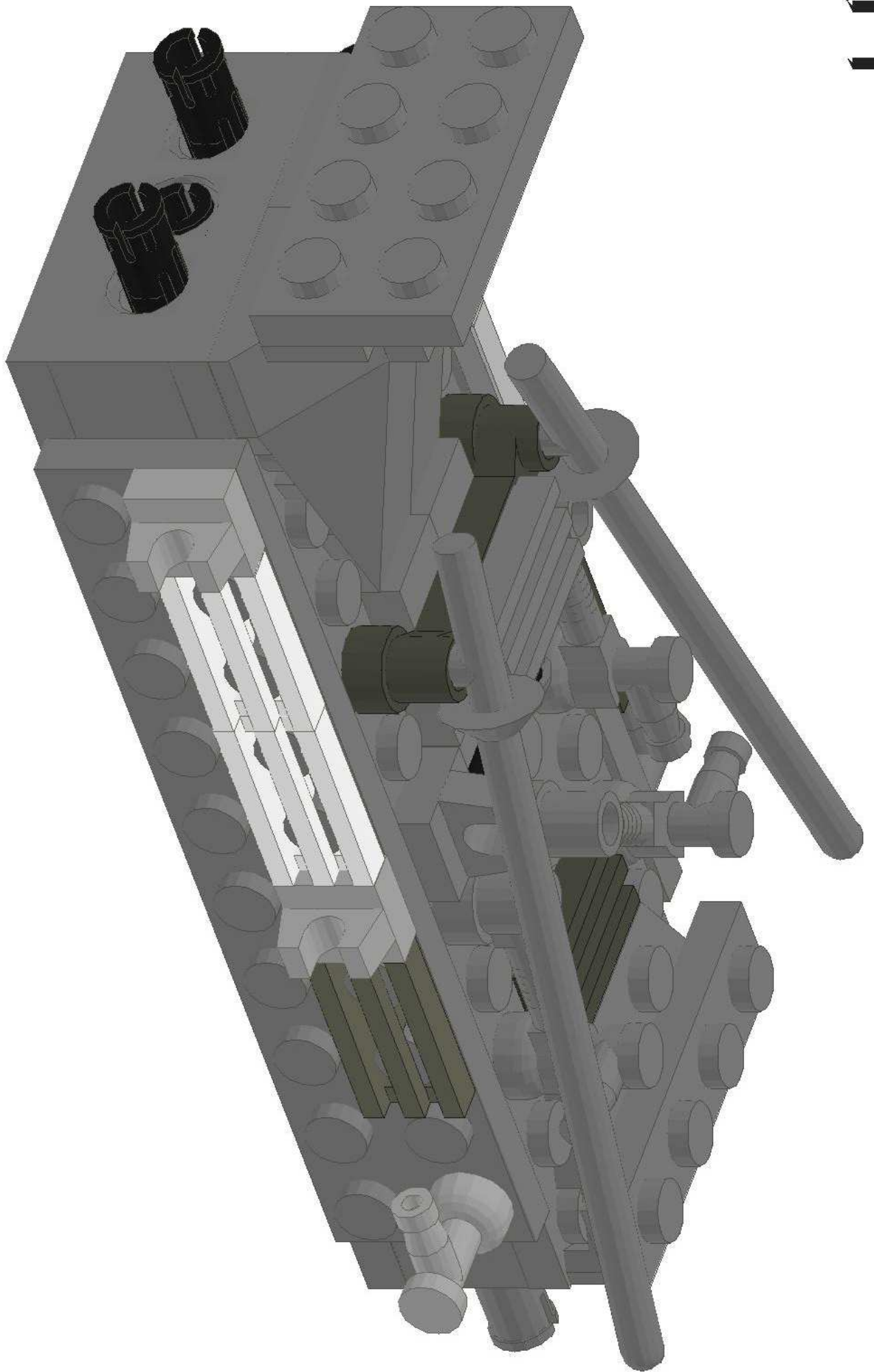


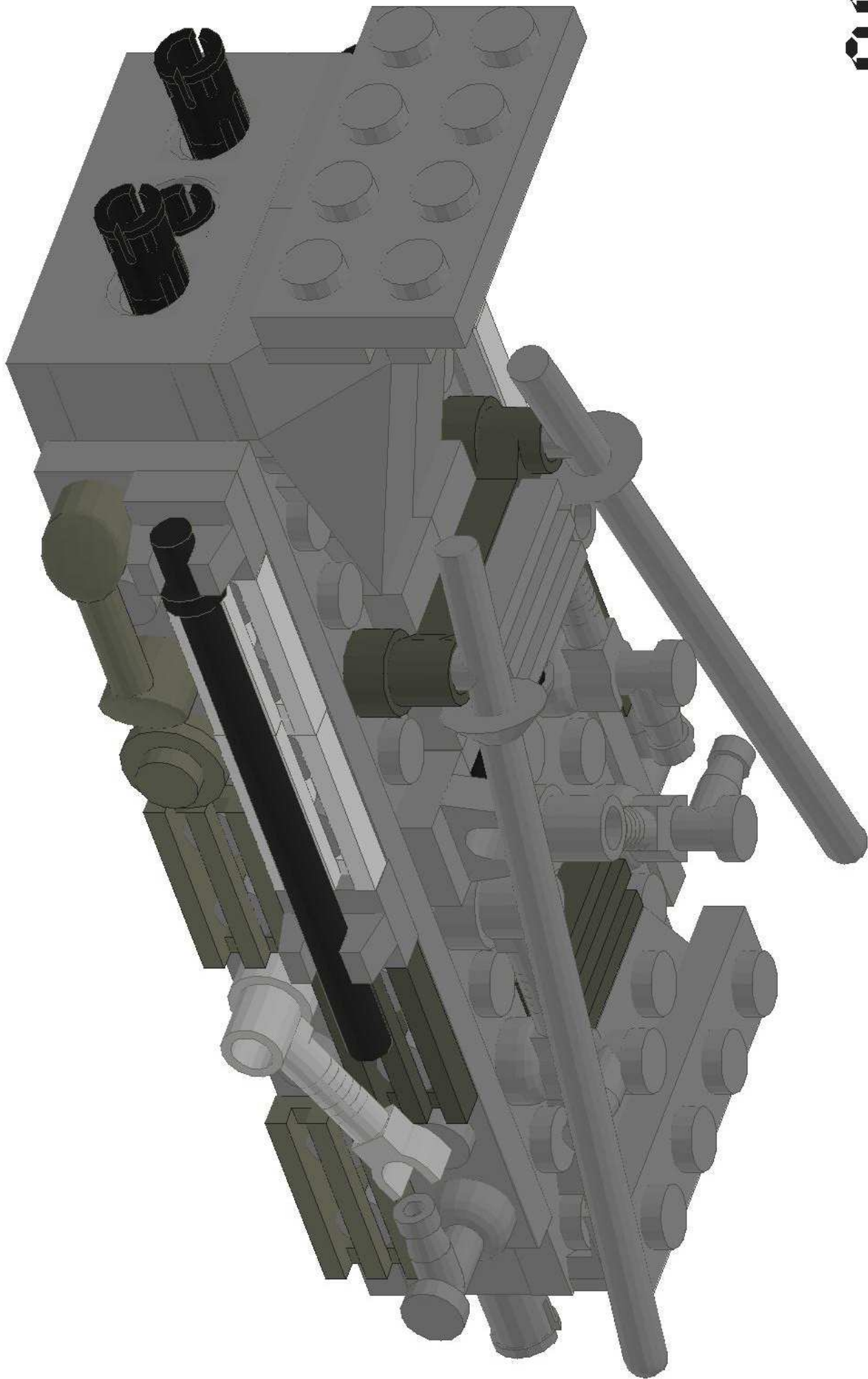


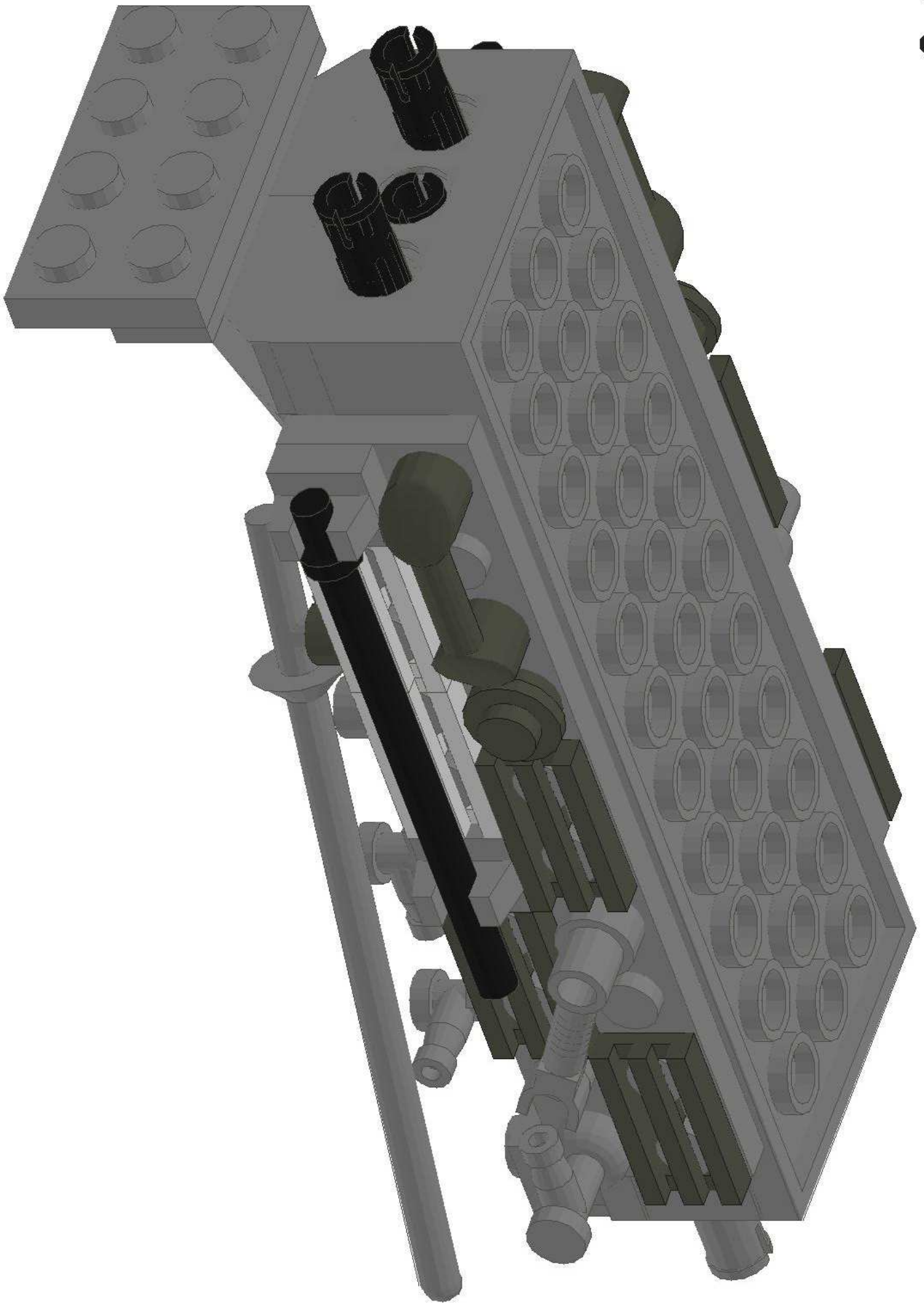


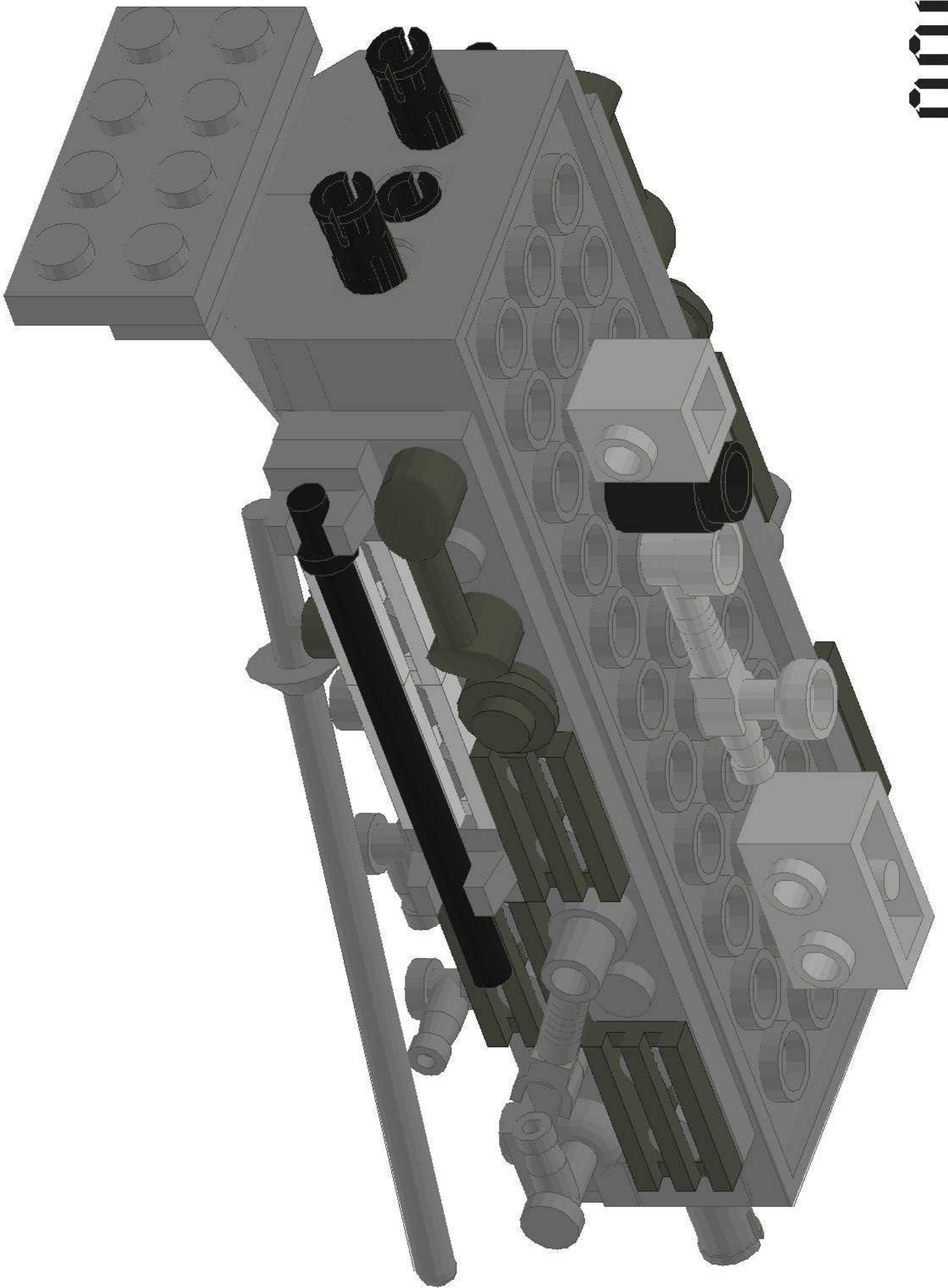


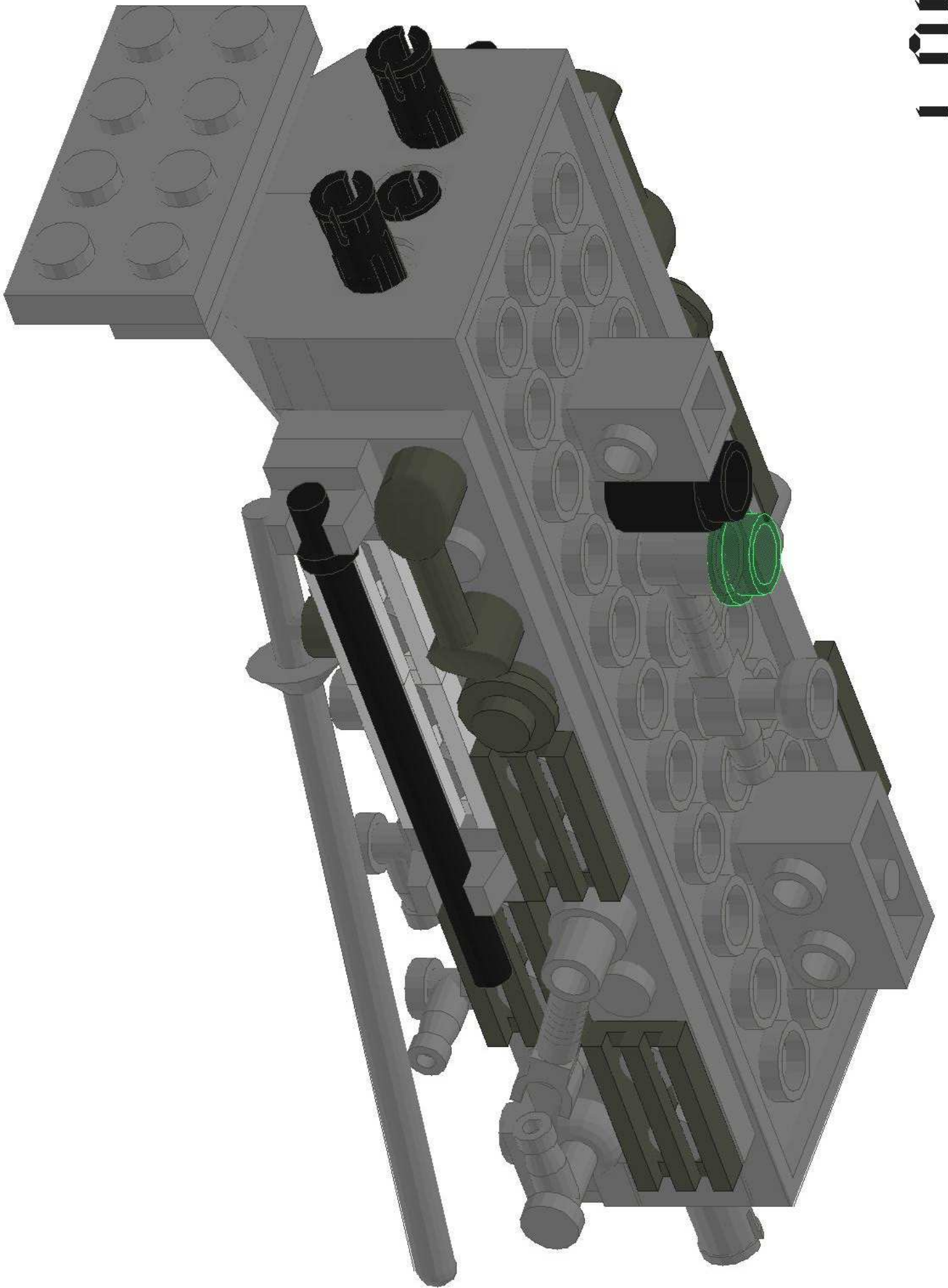


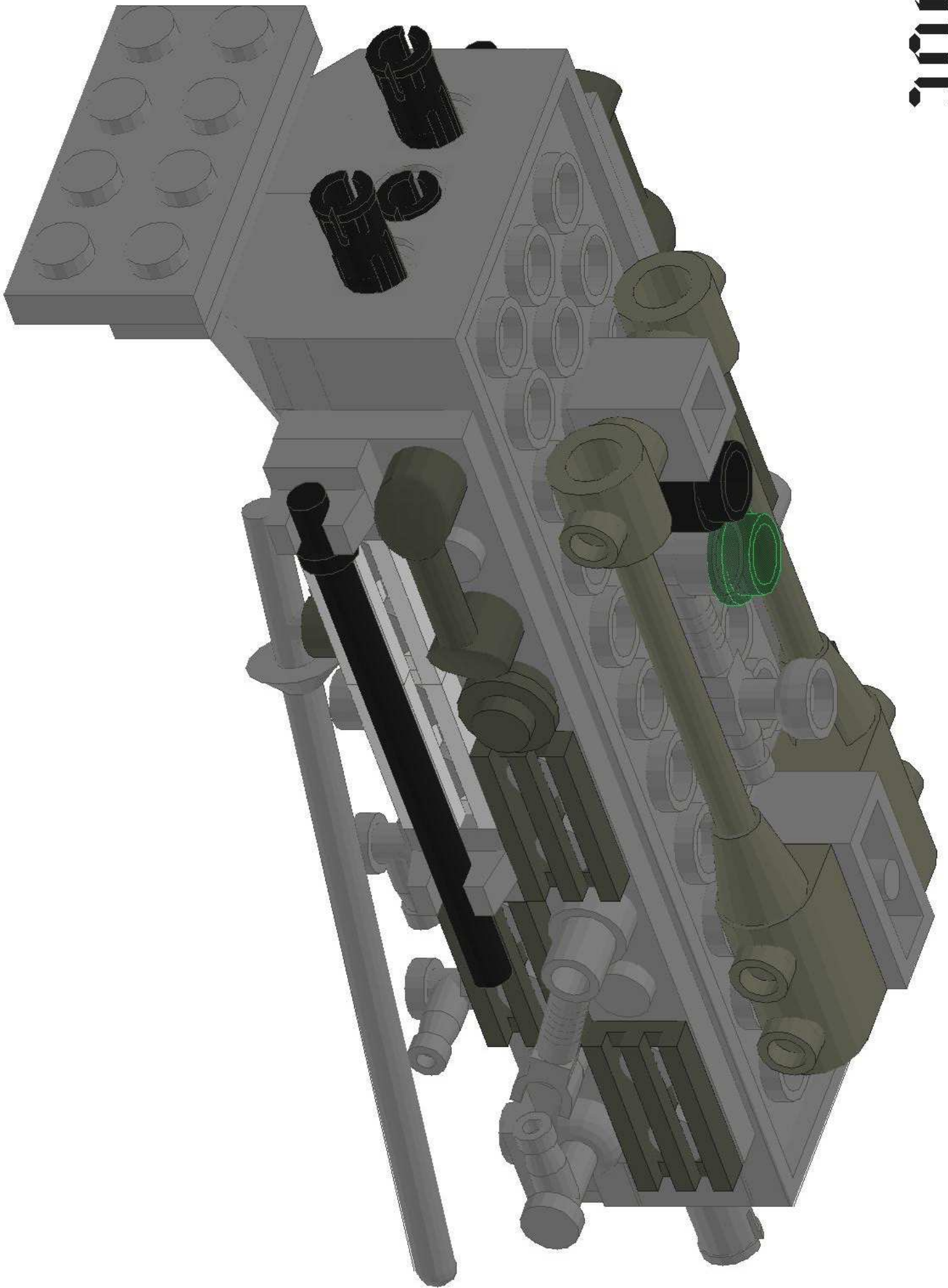


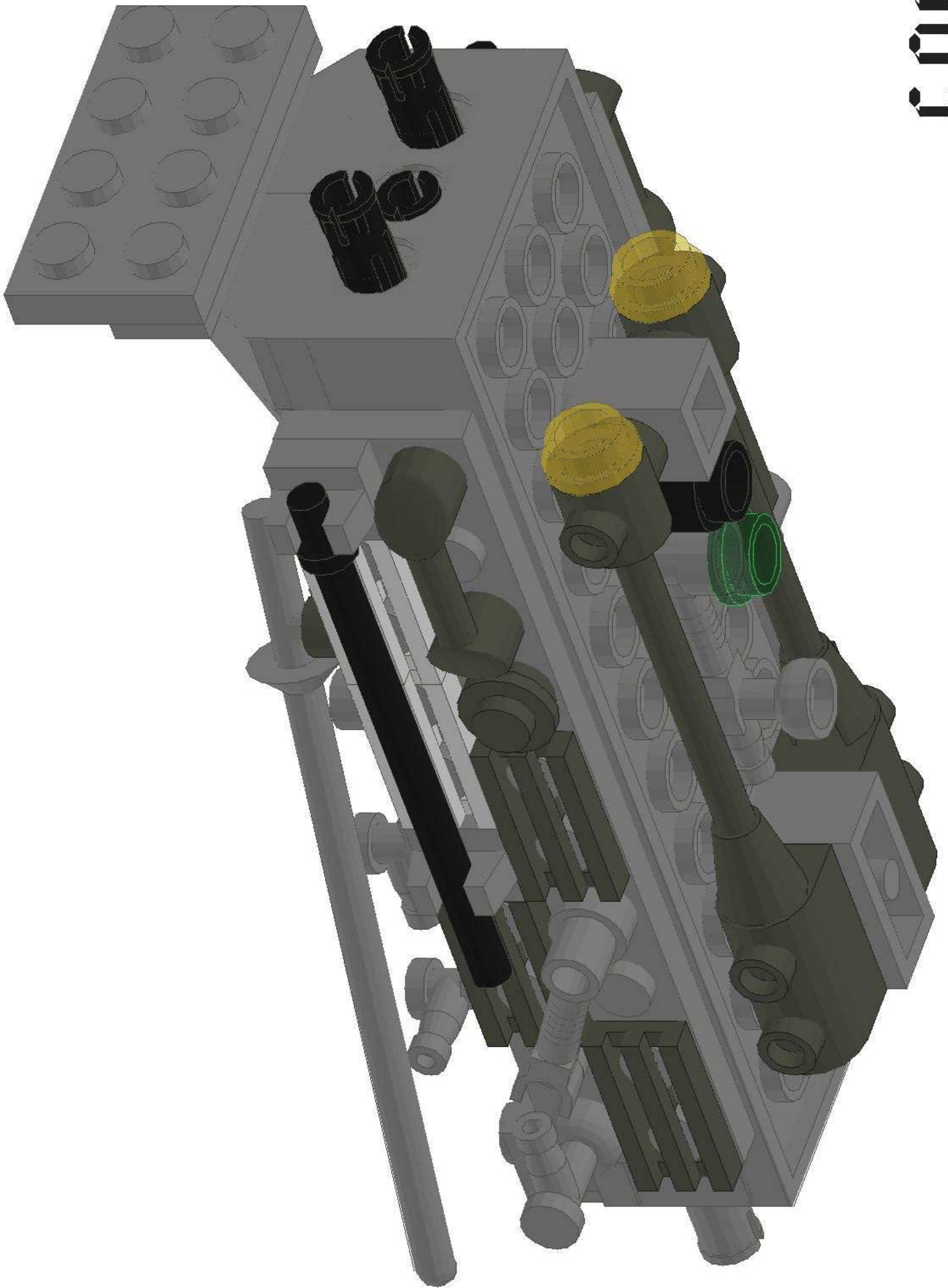


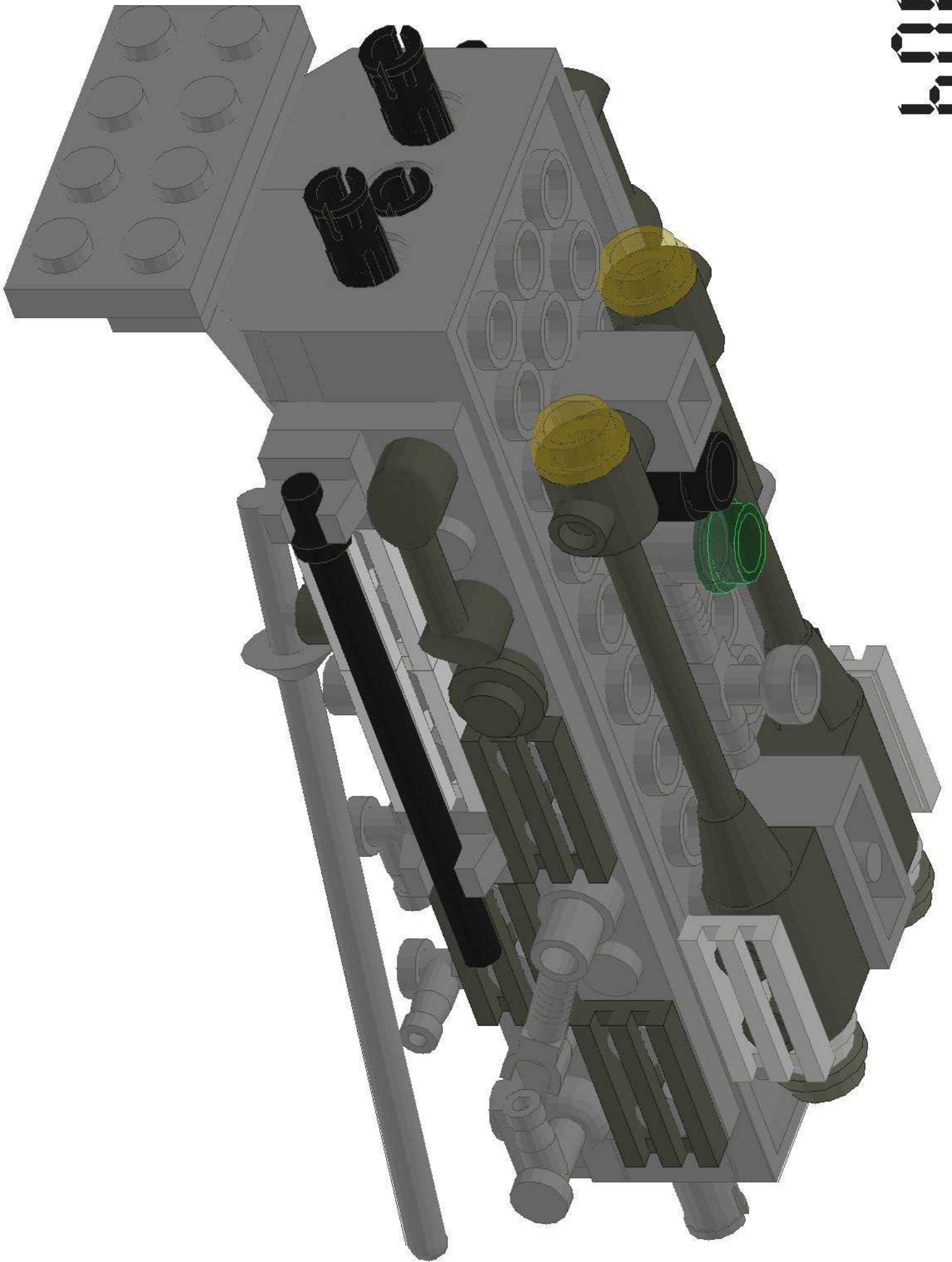


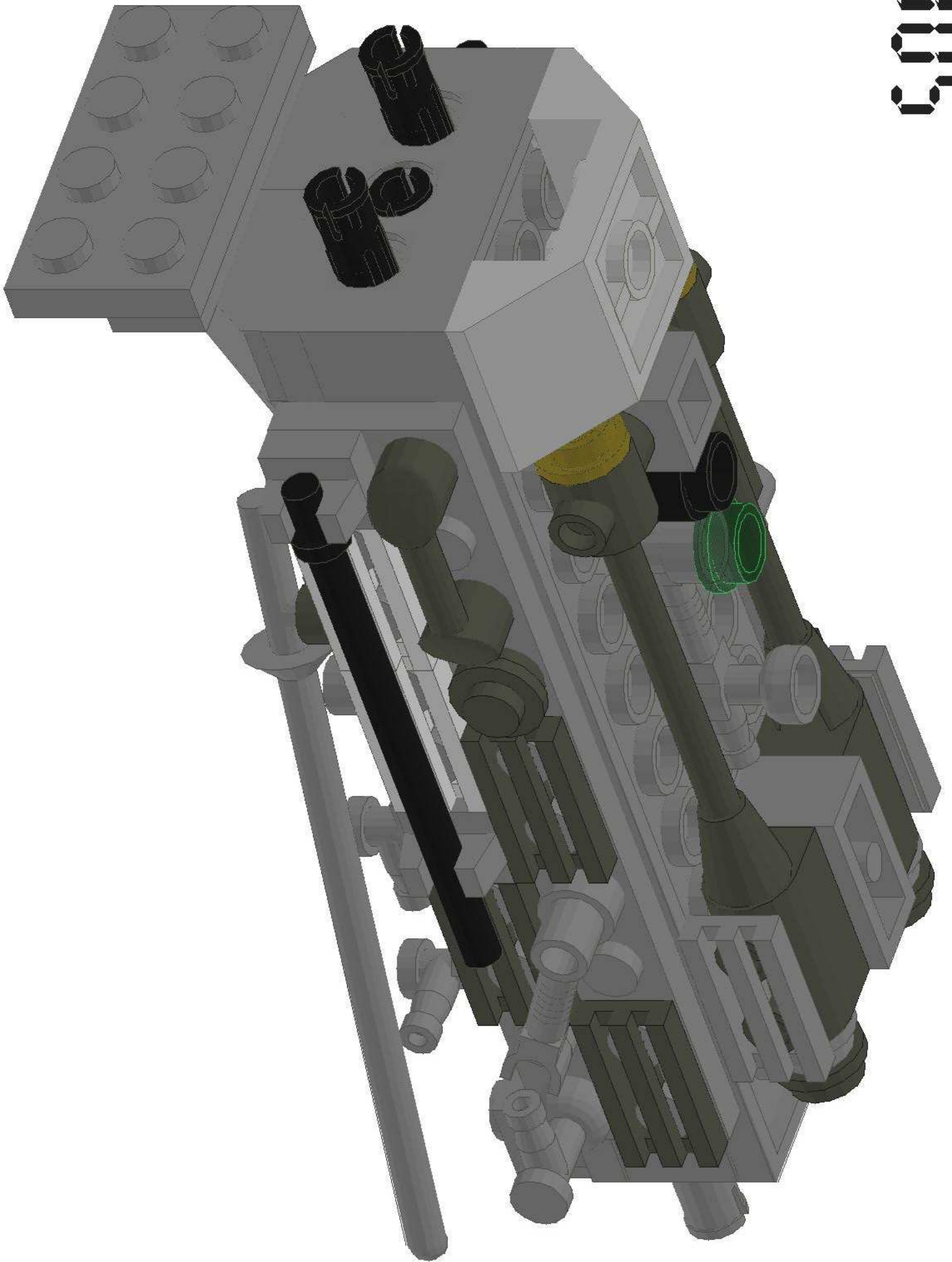




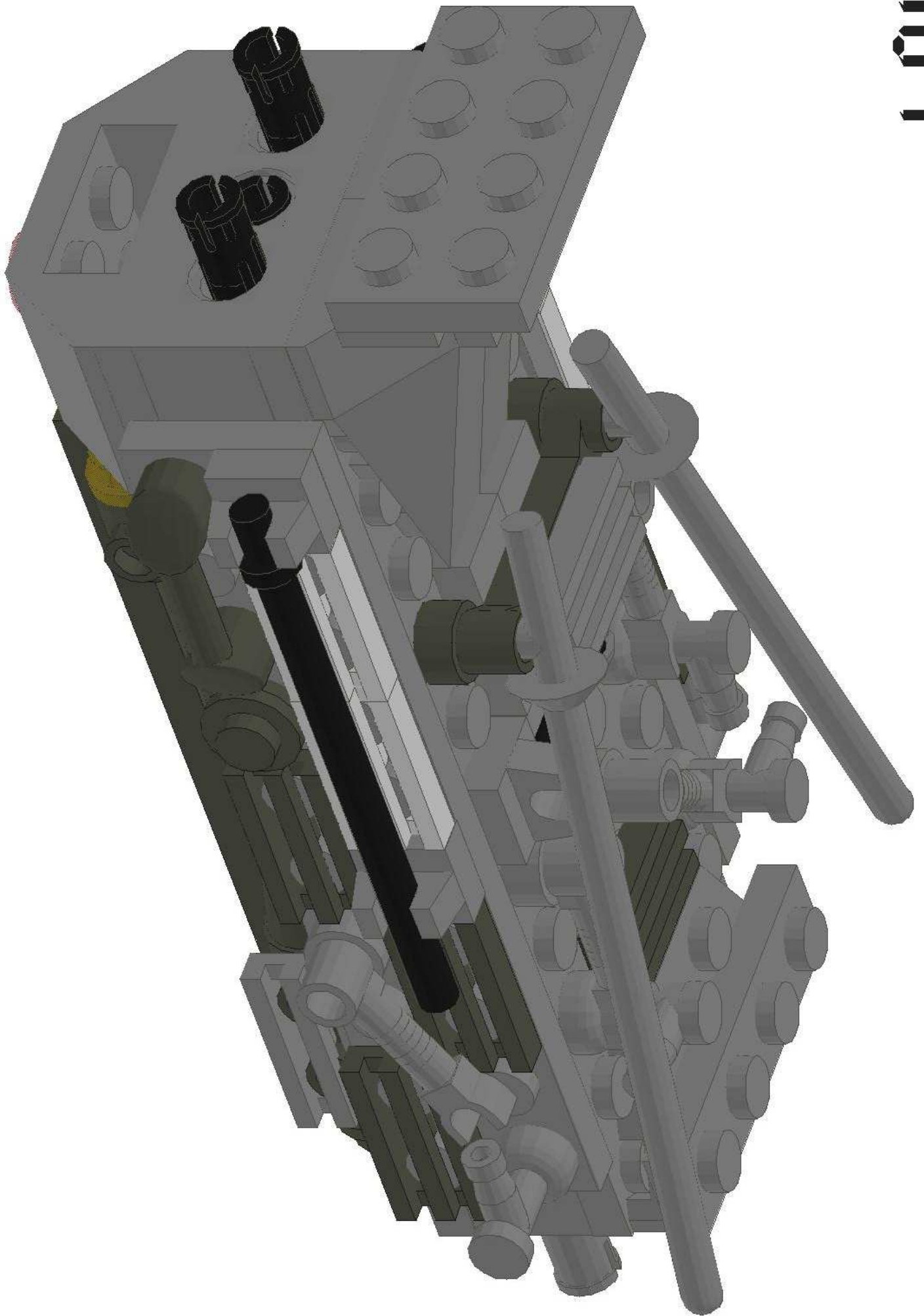


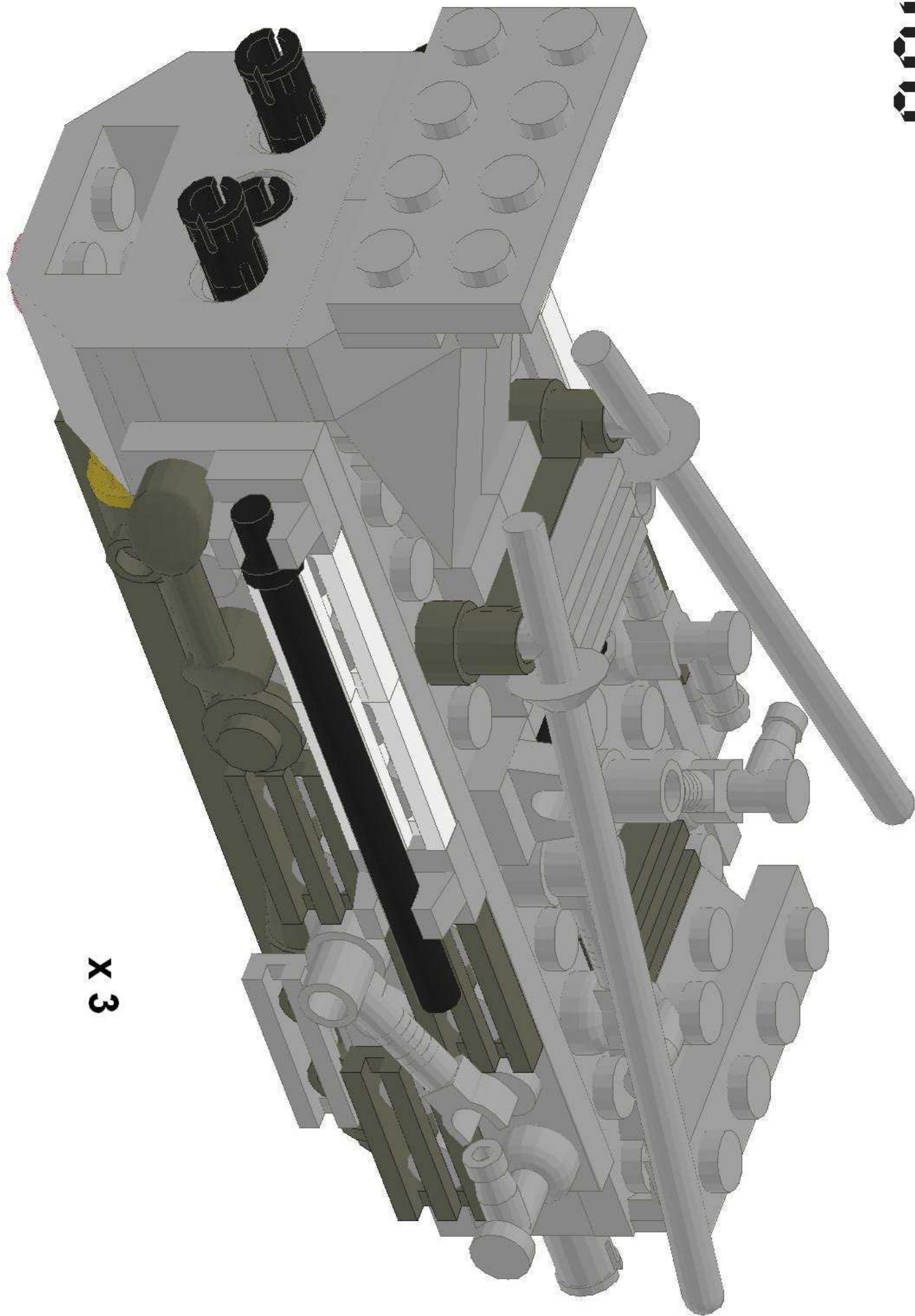




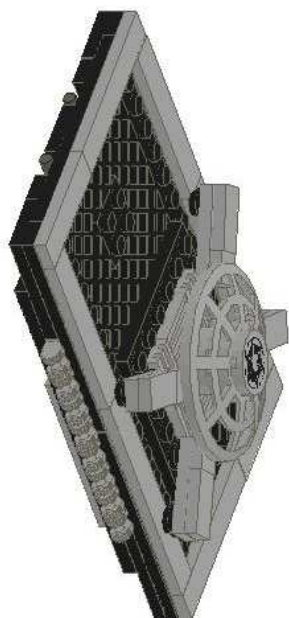








X 3



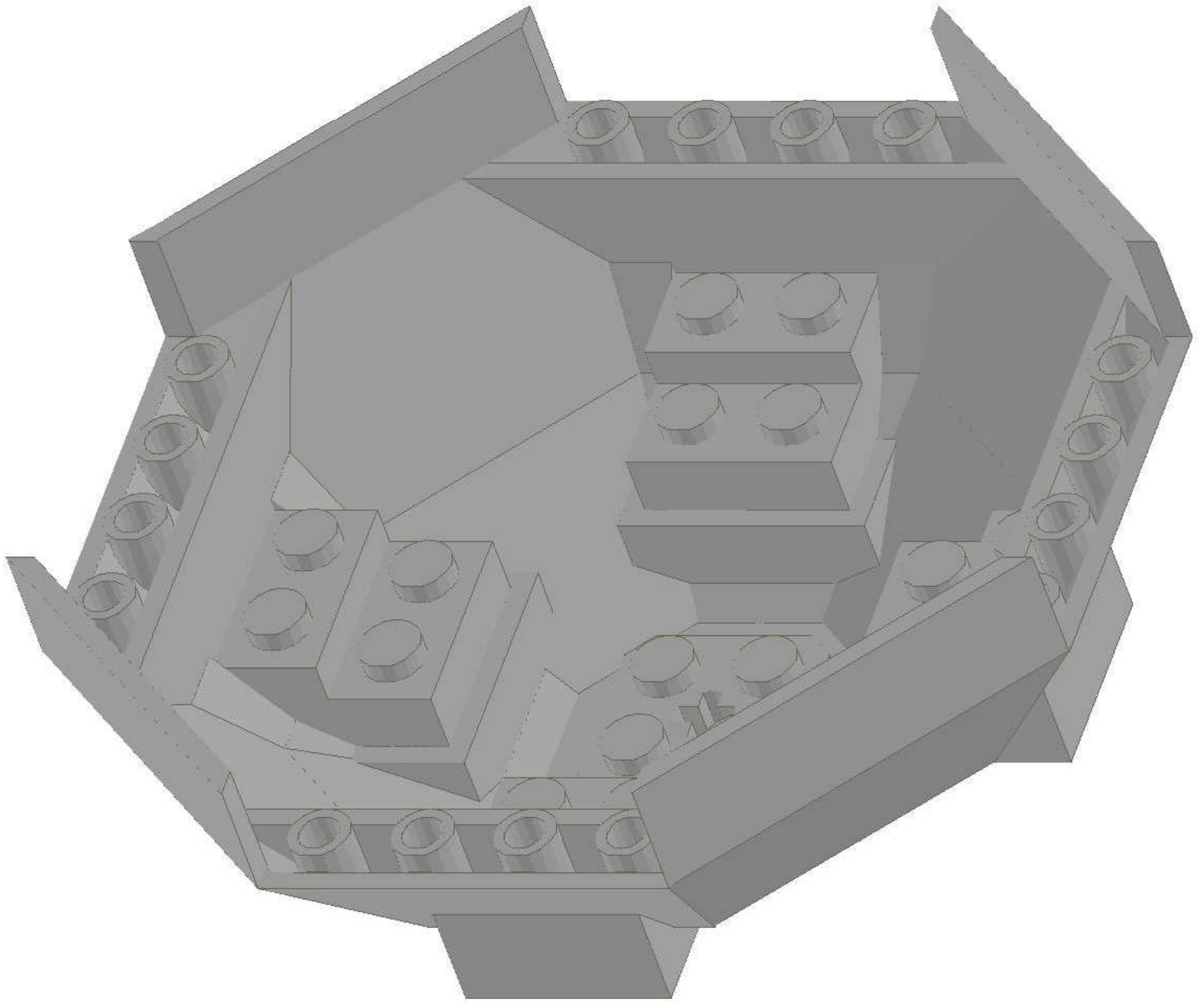


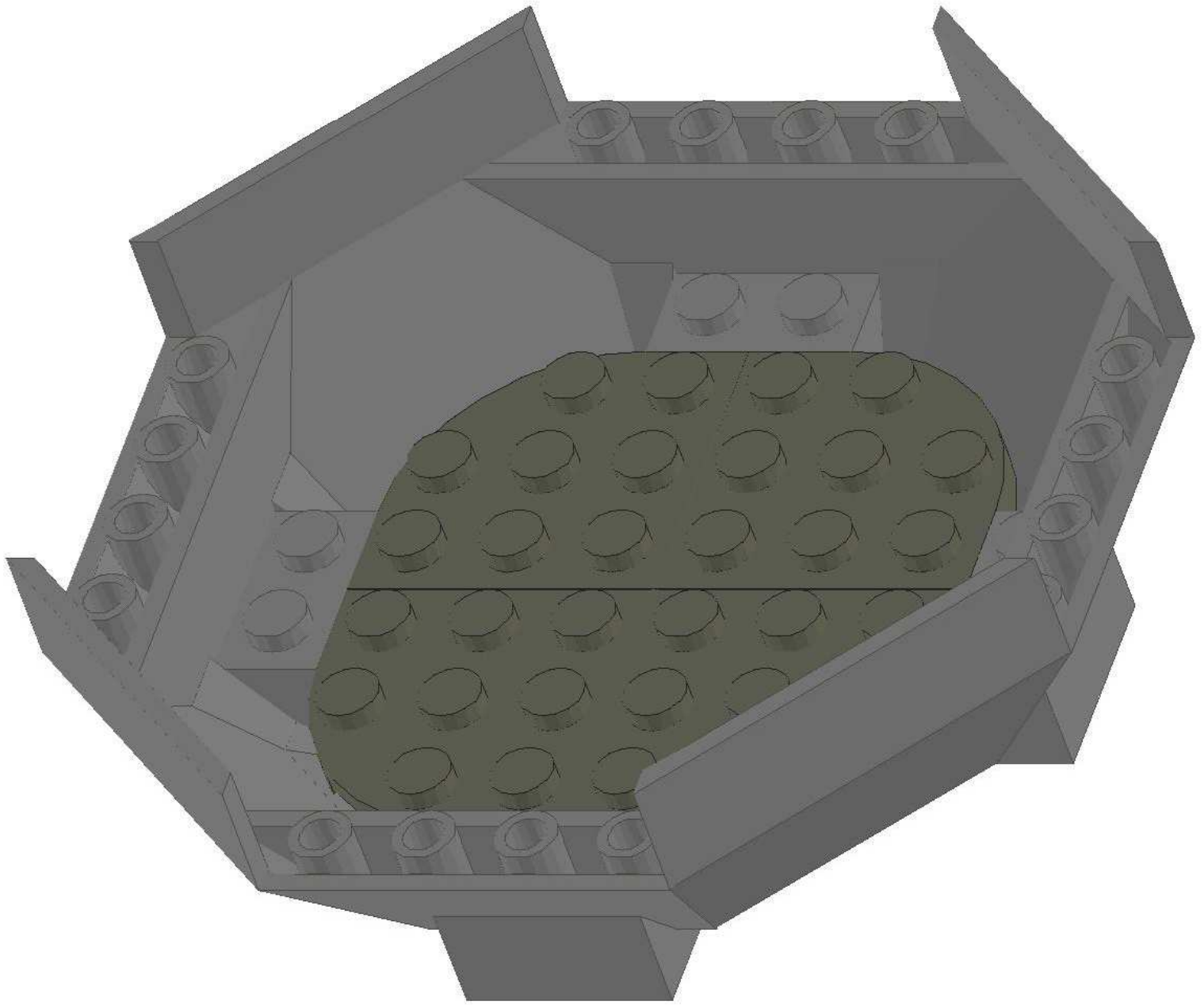


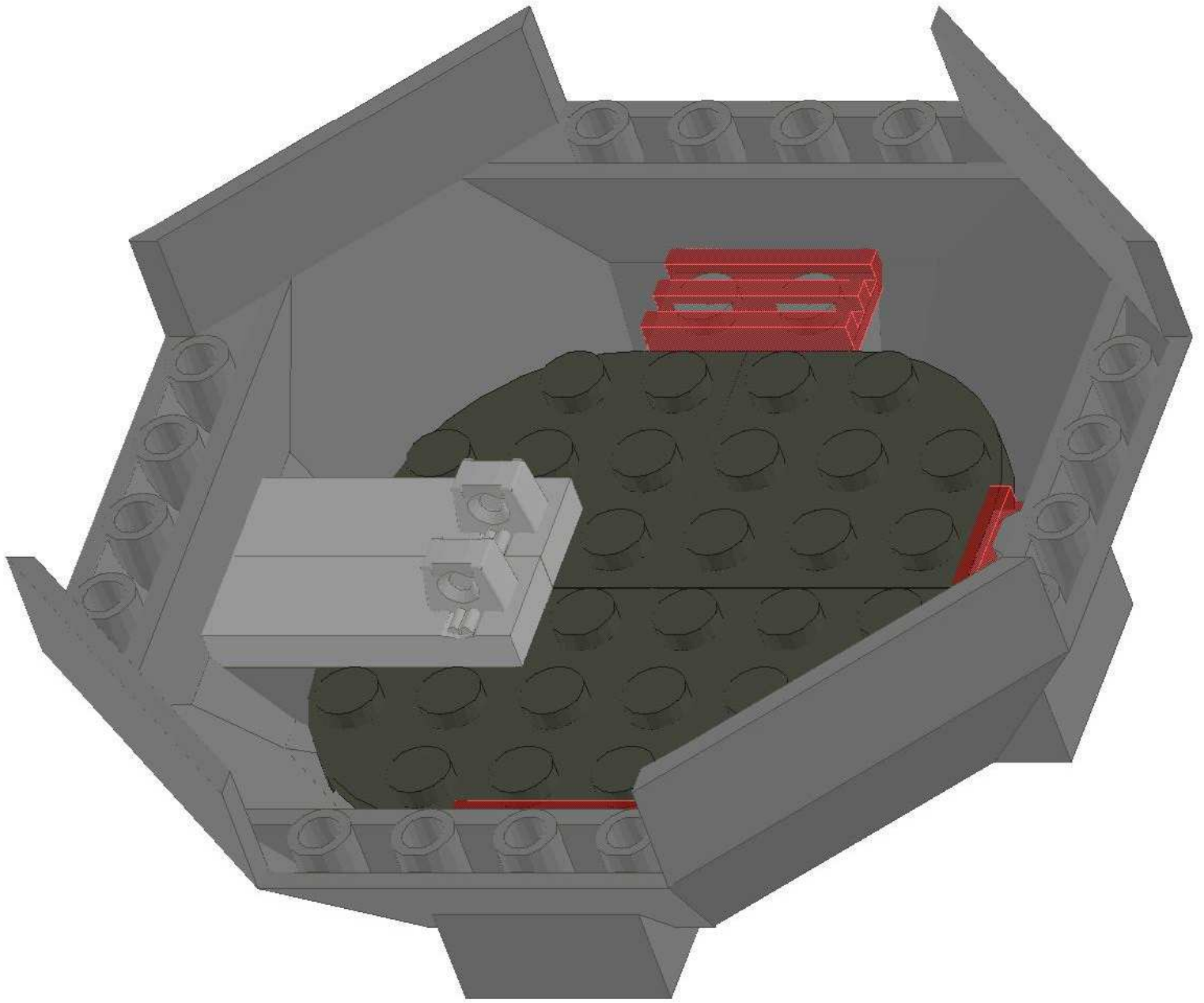


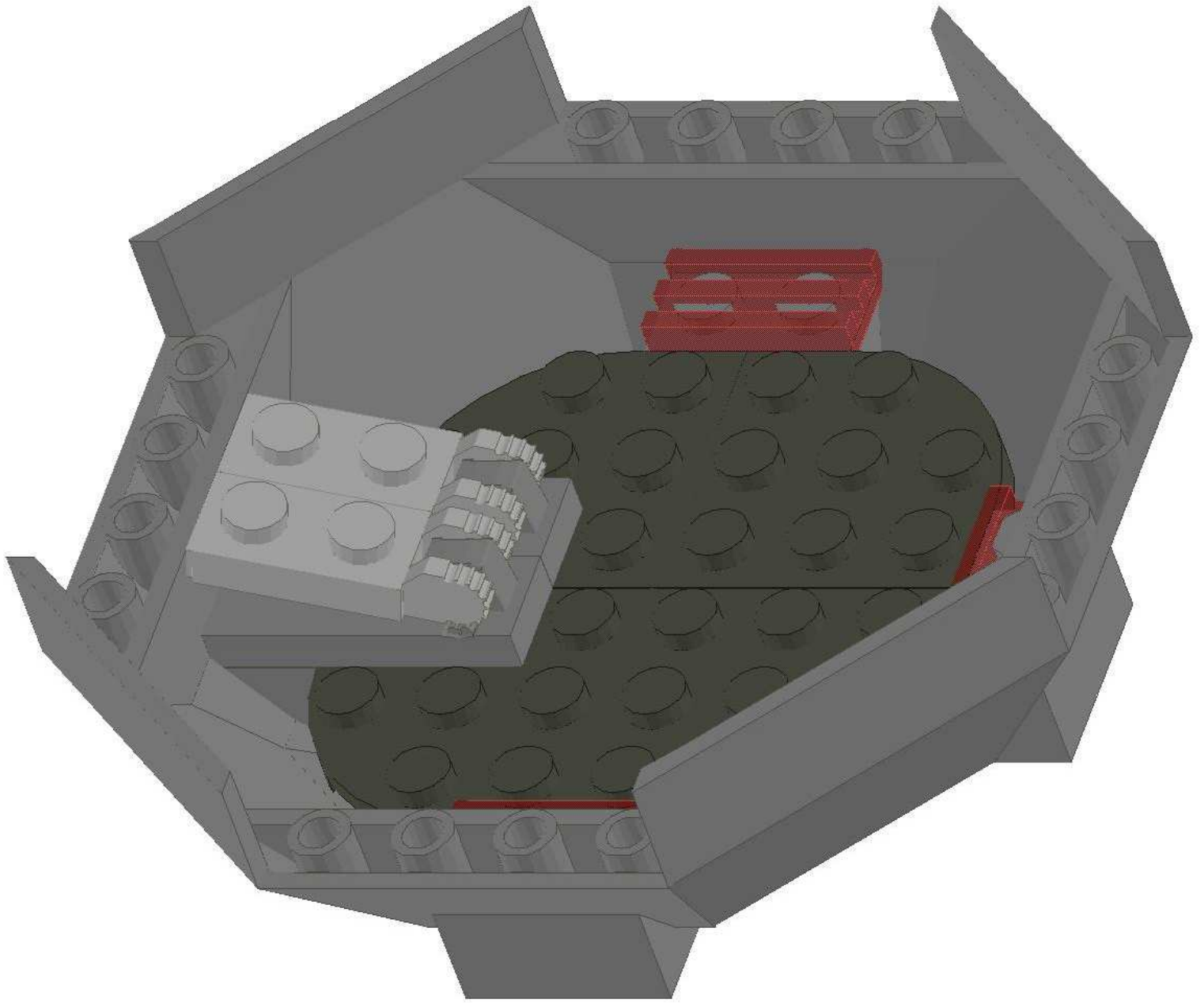
X 3

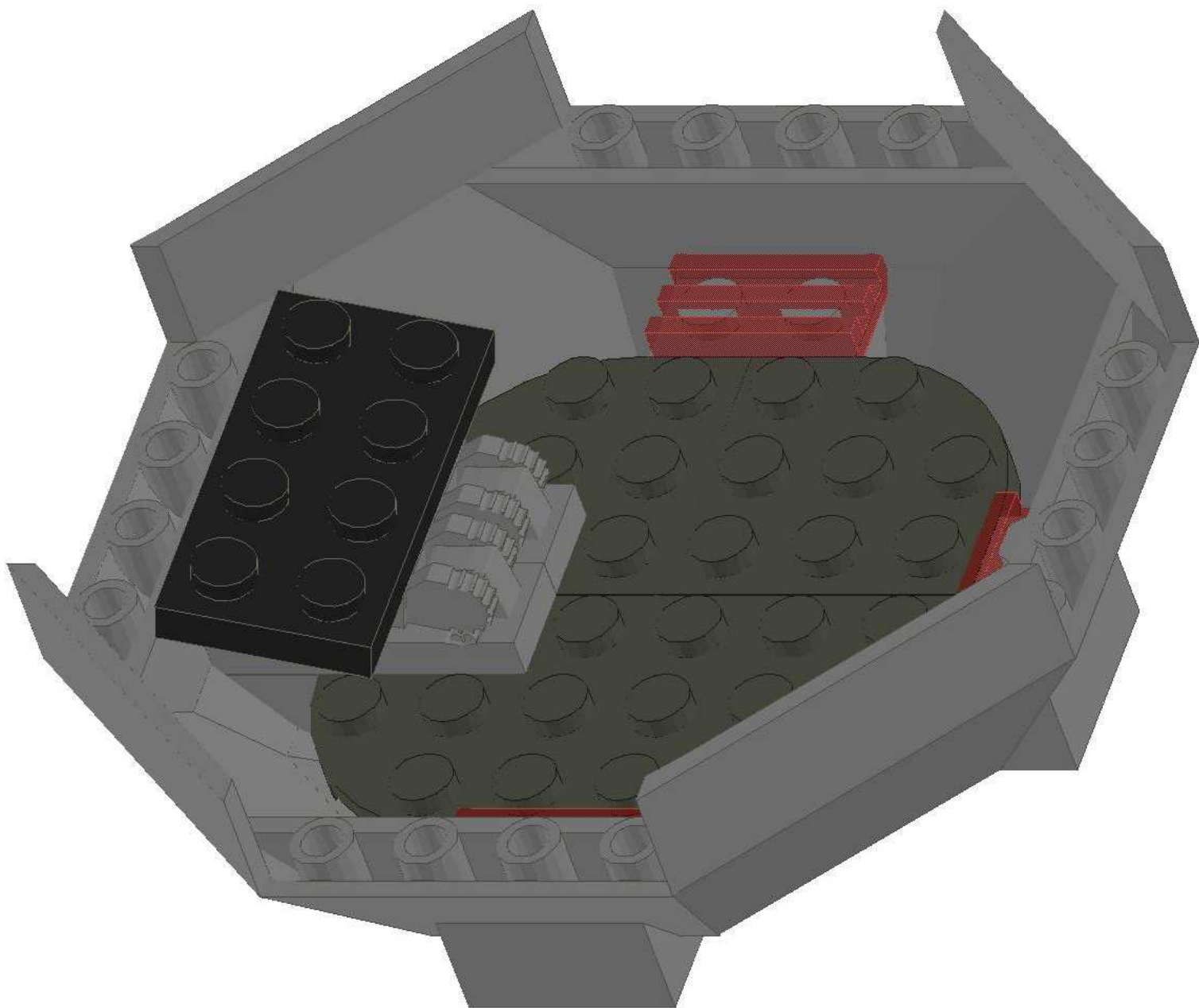


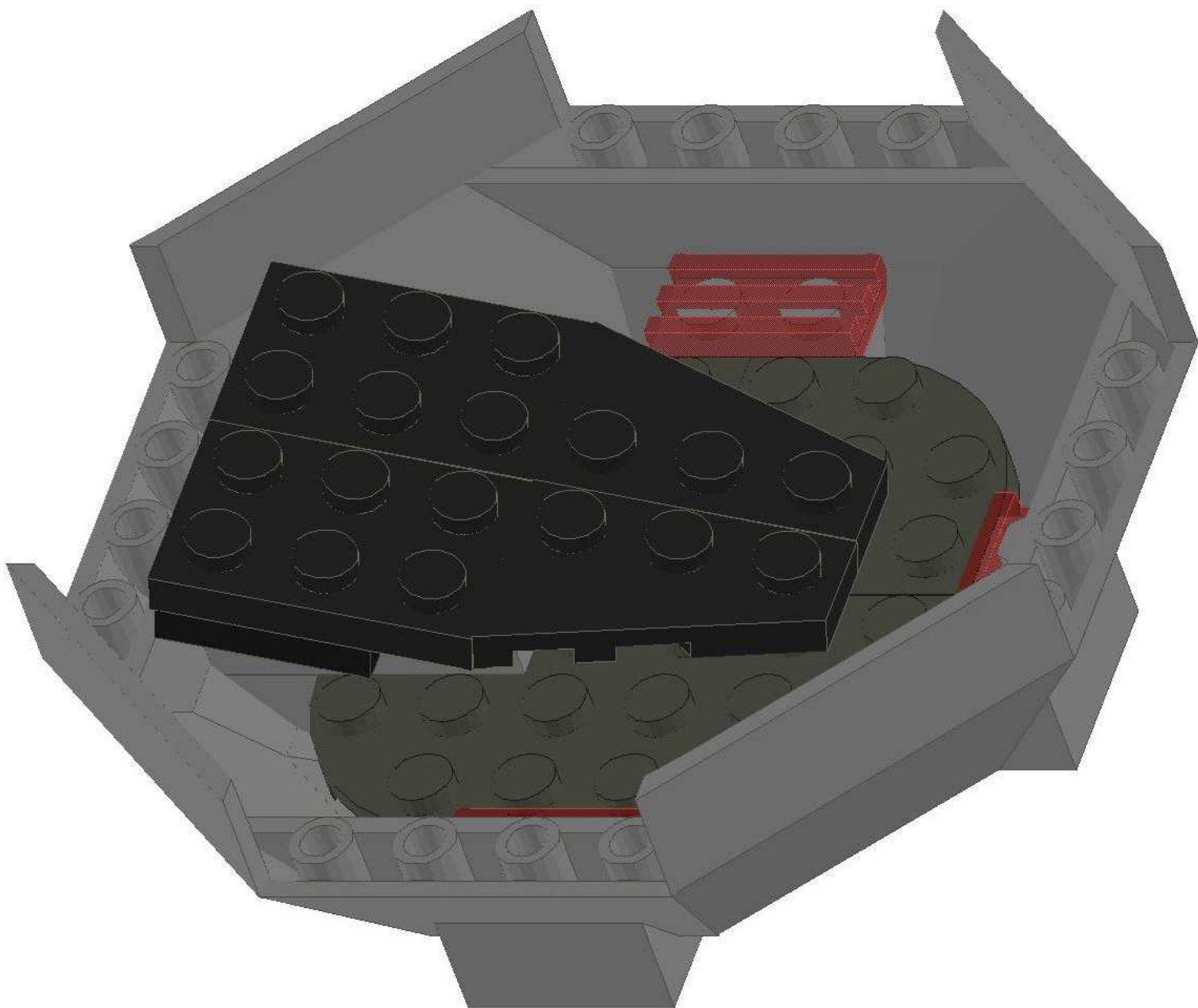


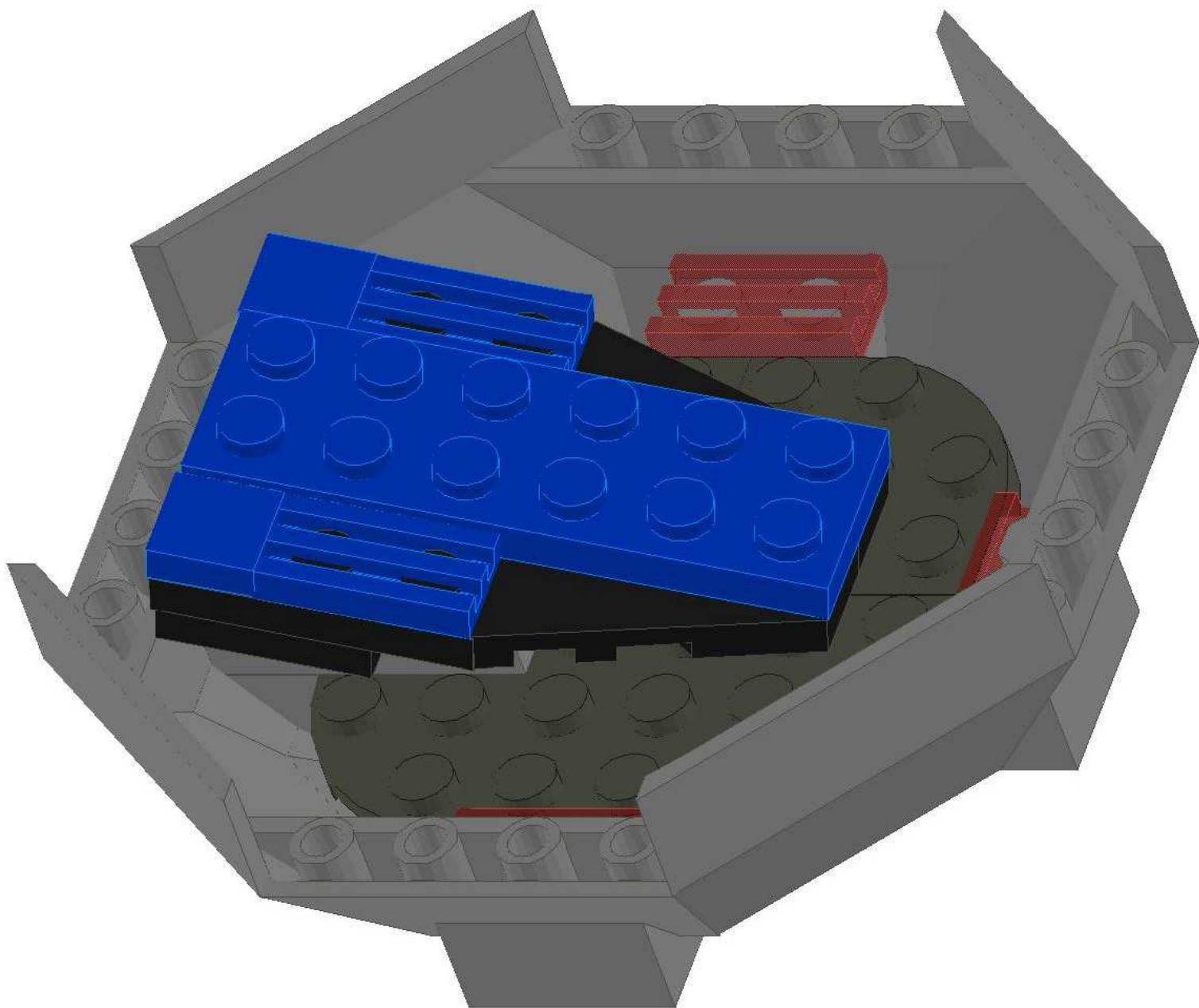


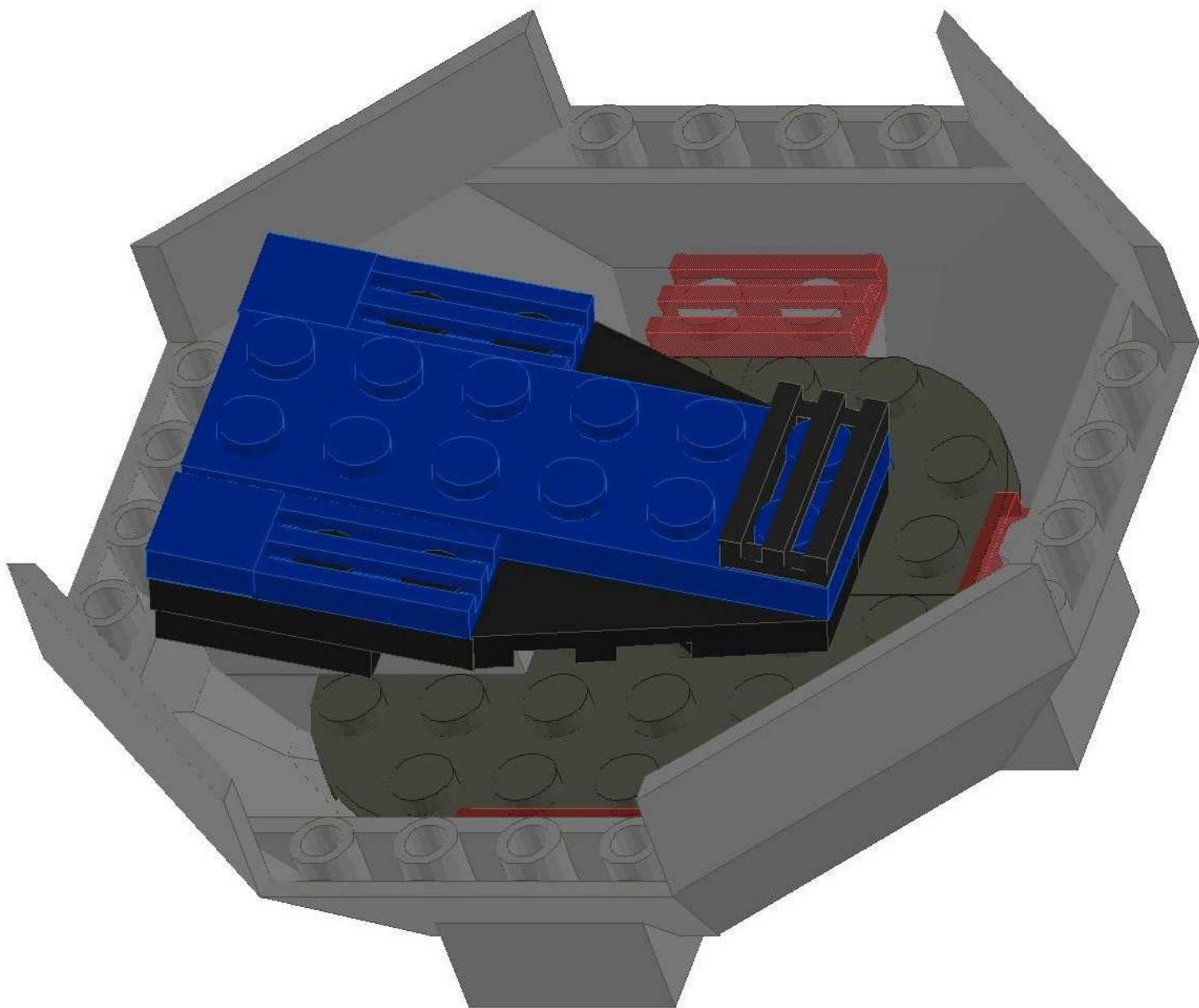


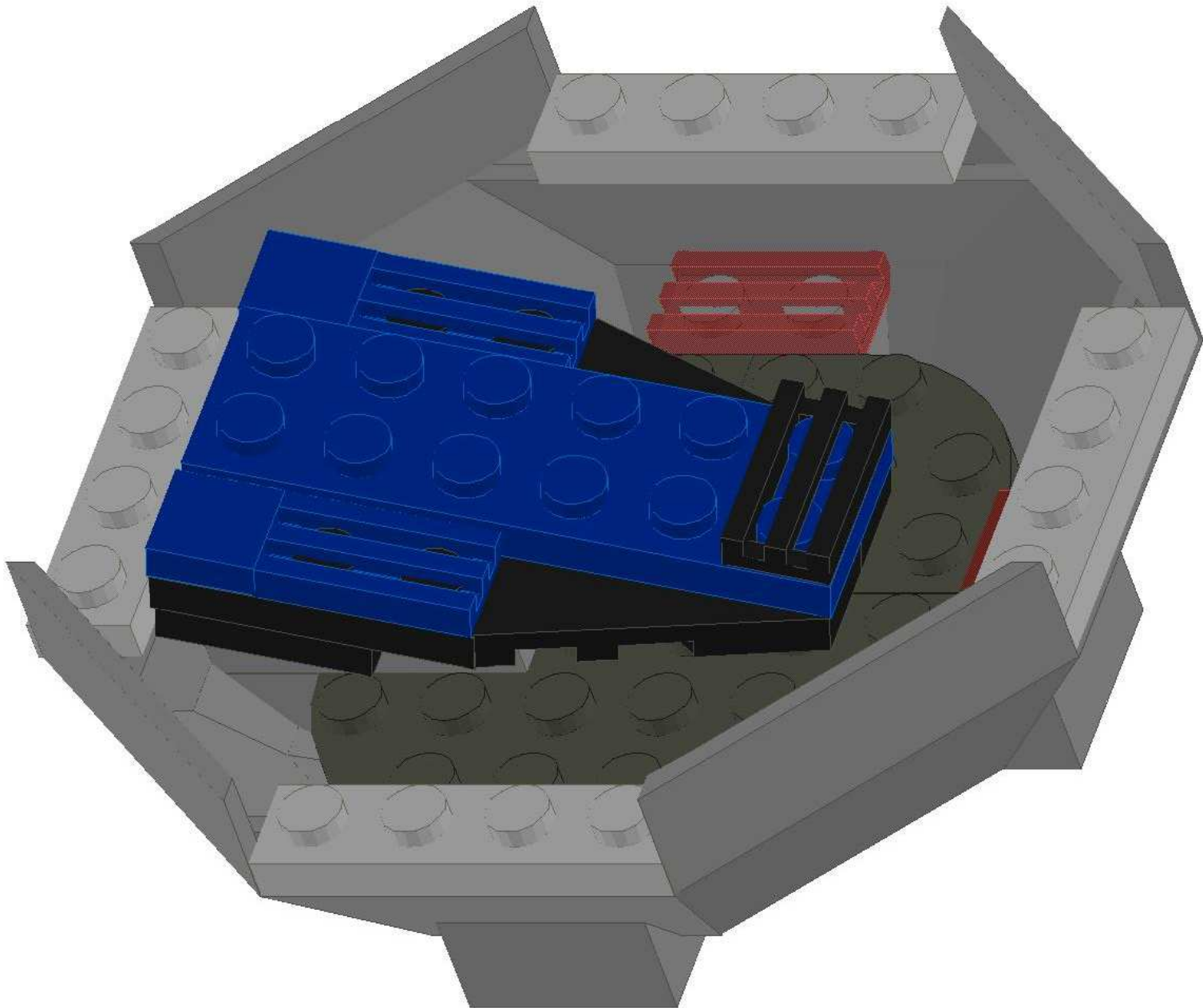


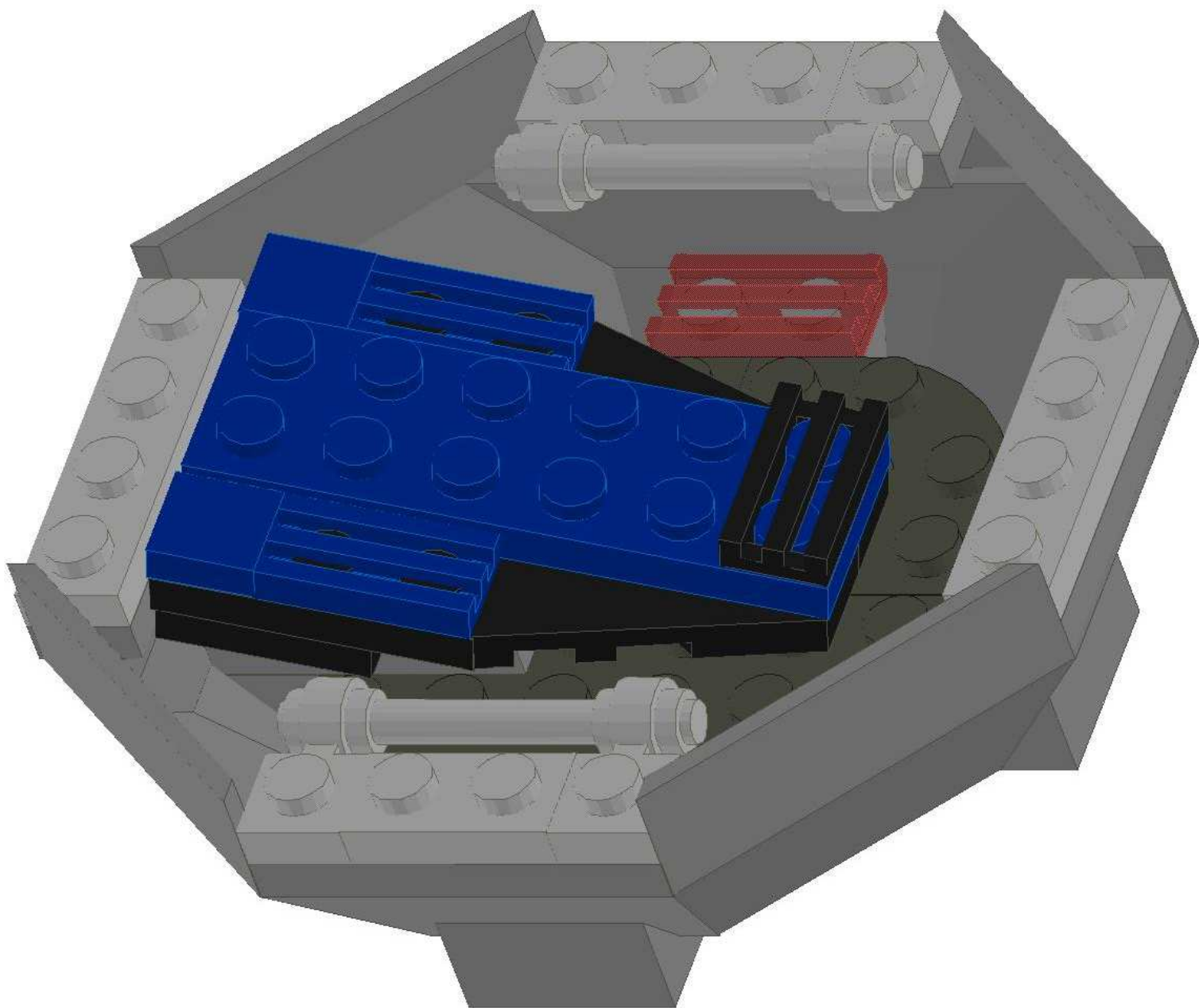


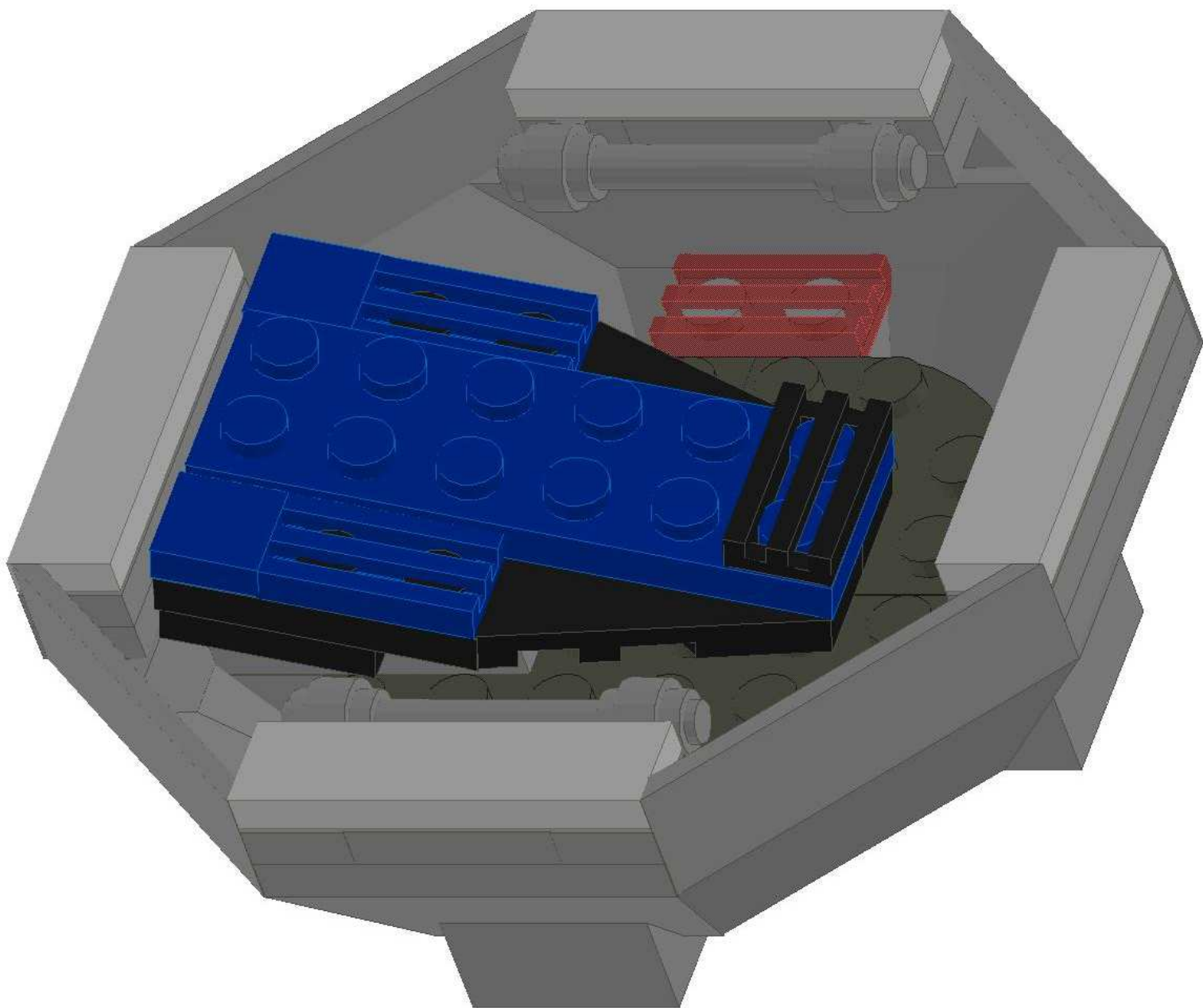


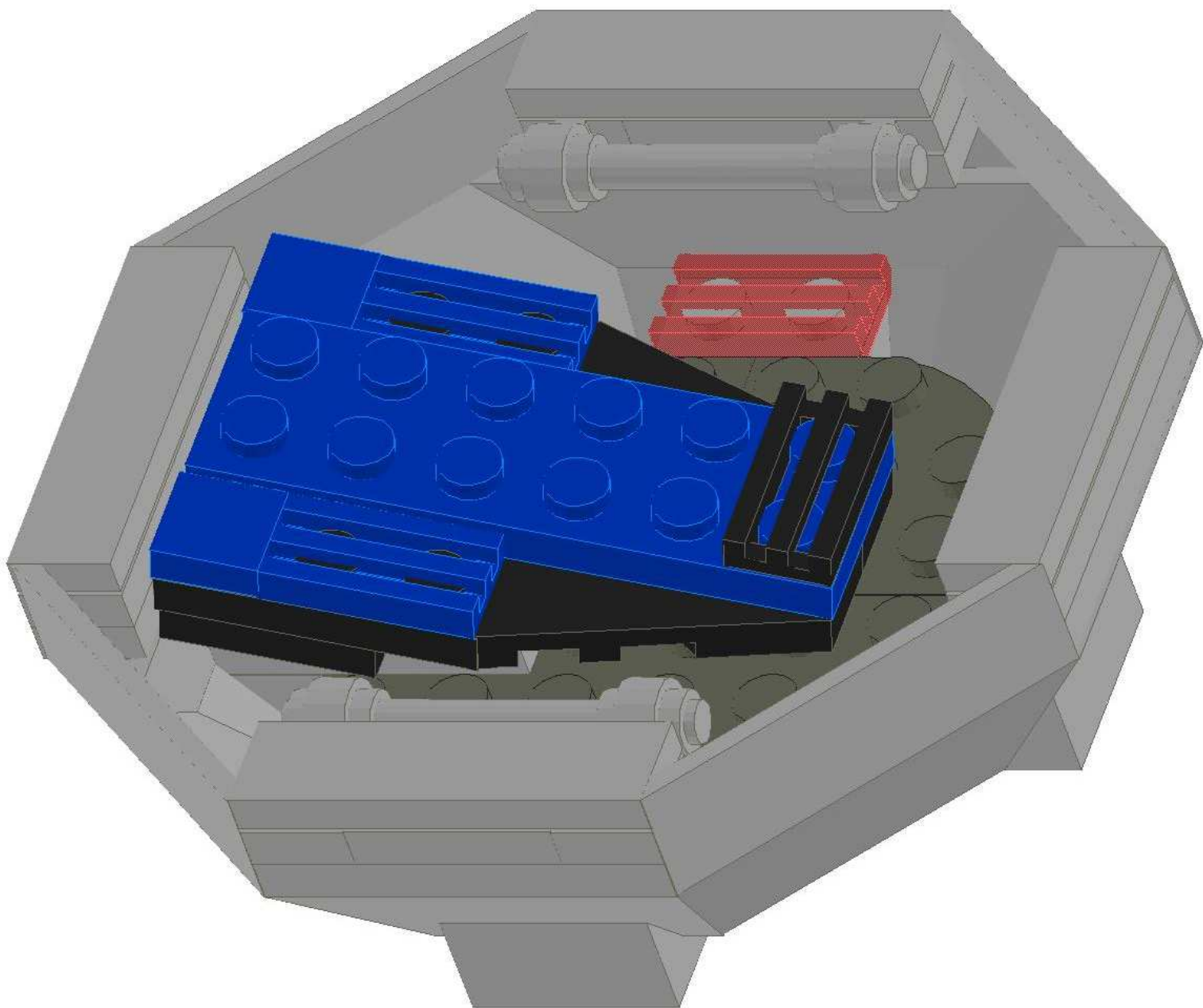


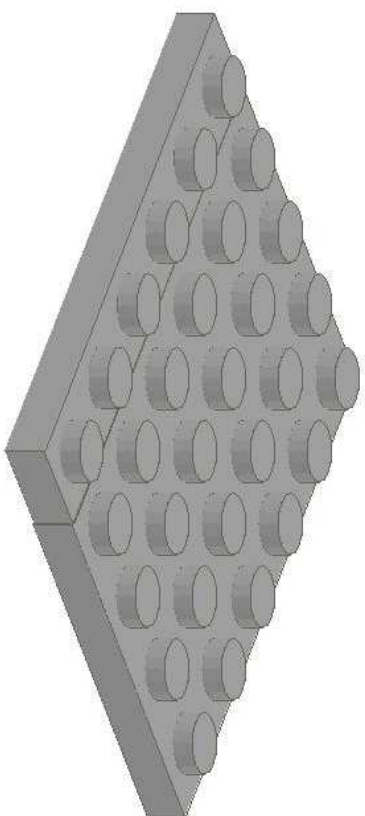


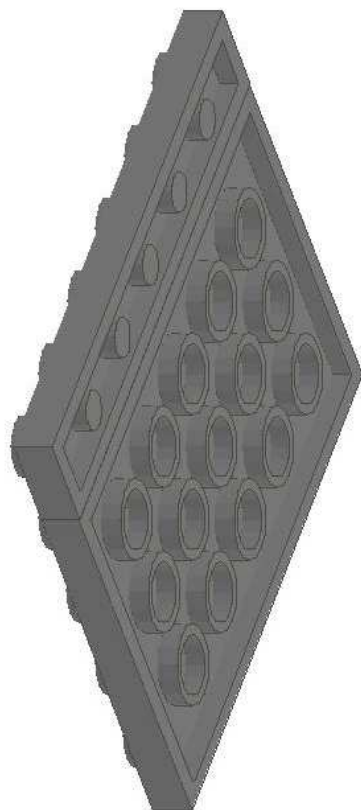


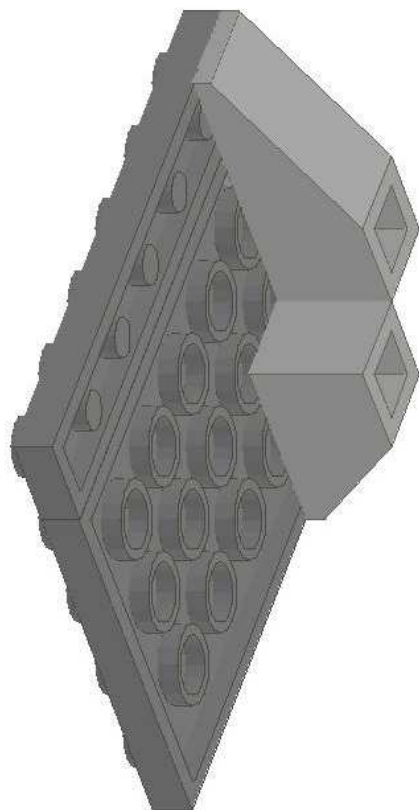


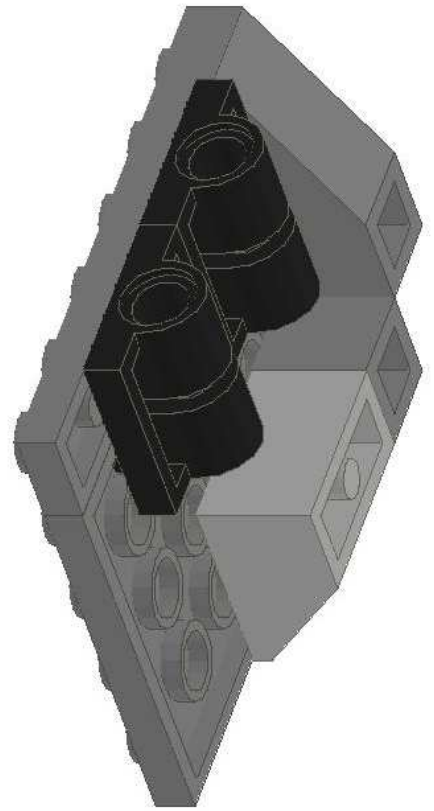


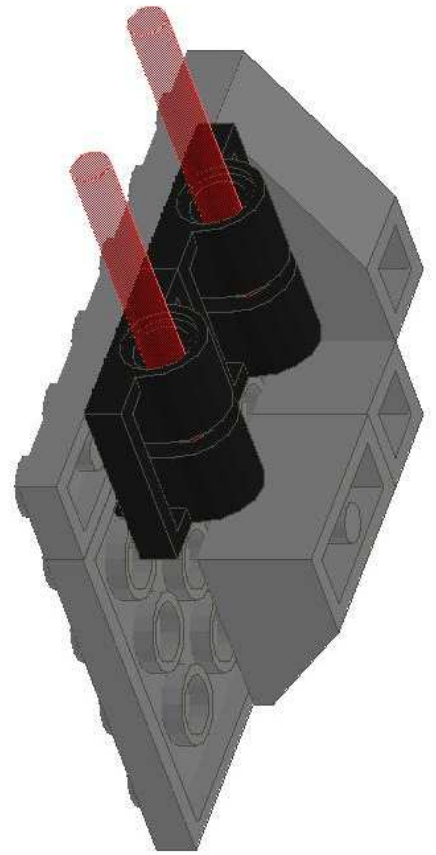


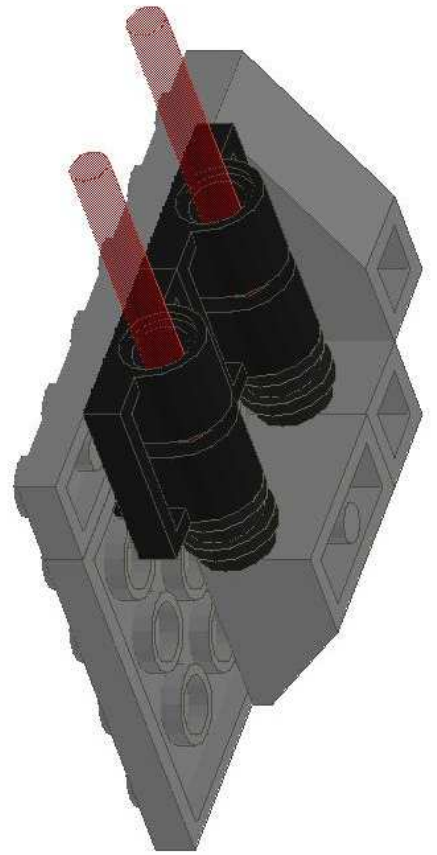


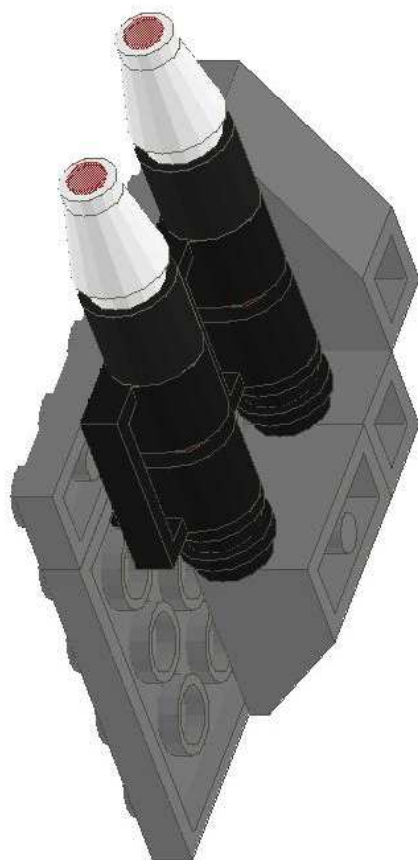


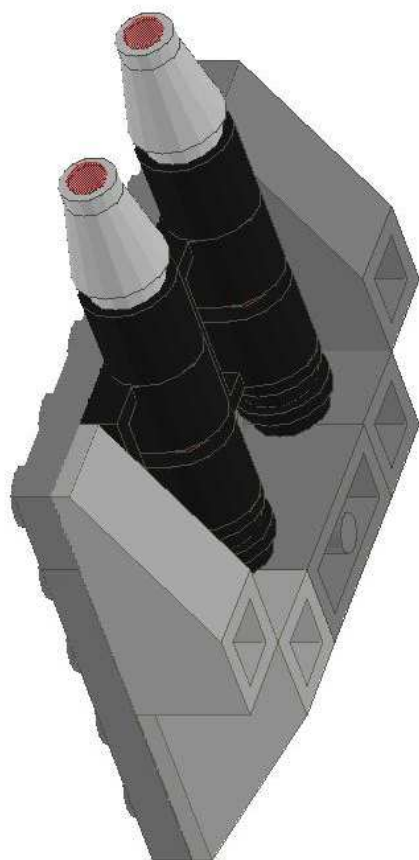


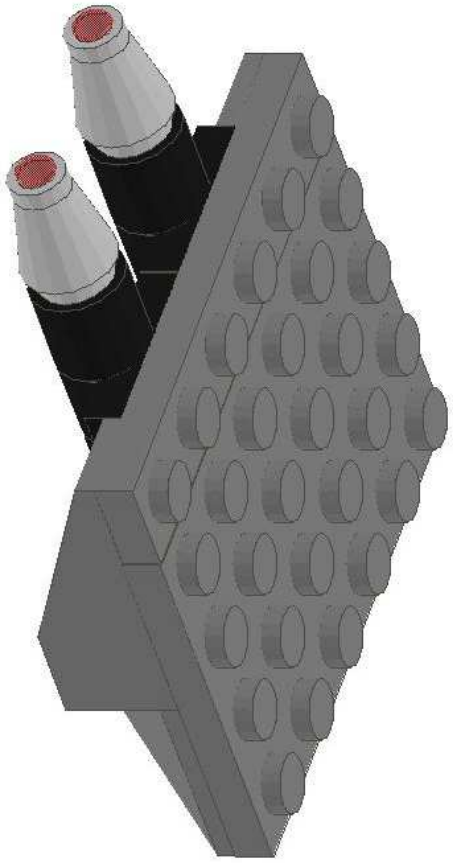


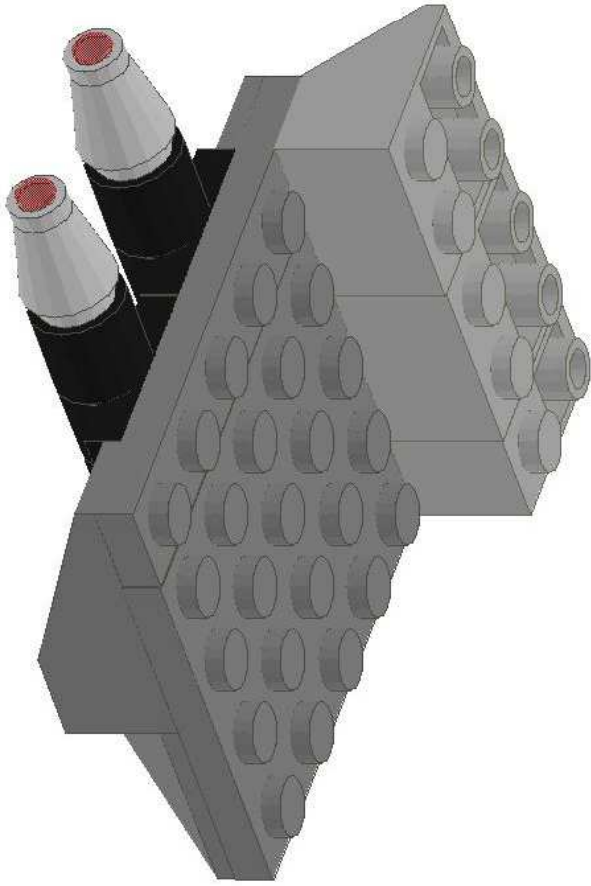


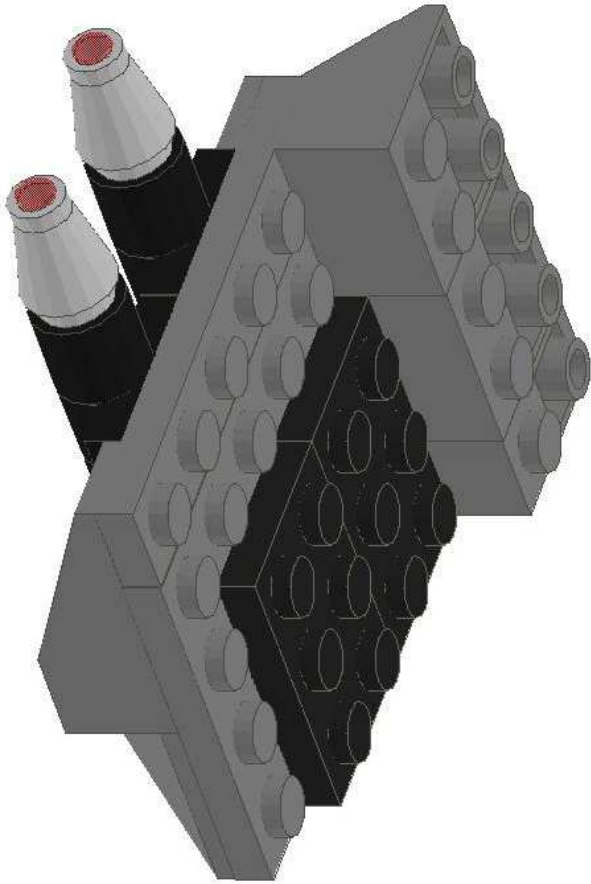


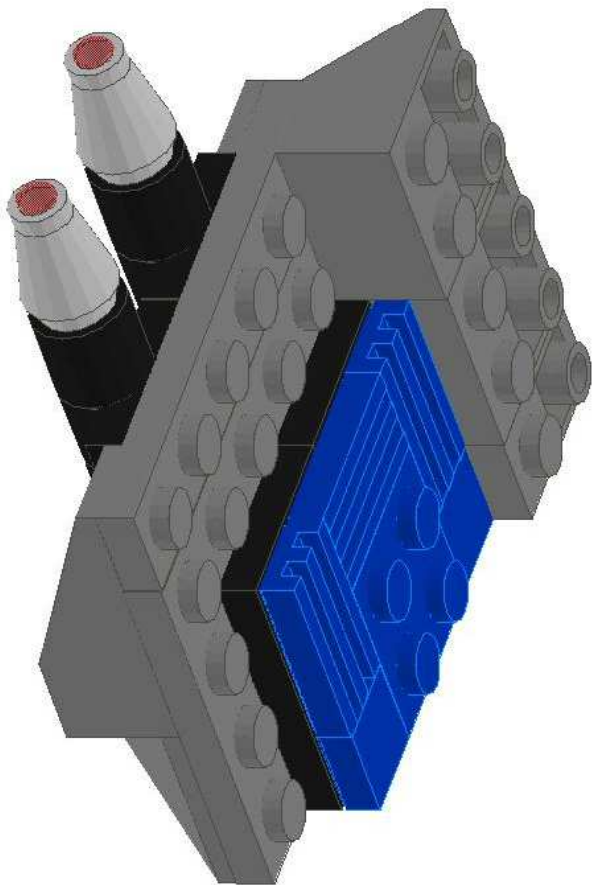


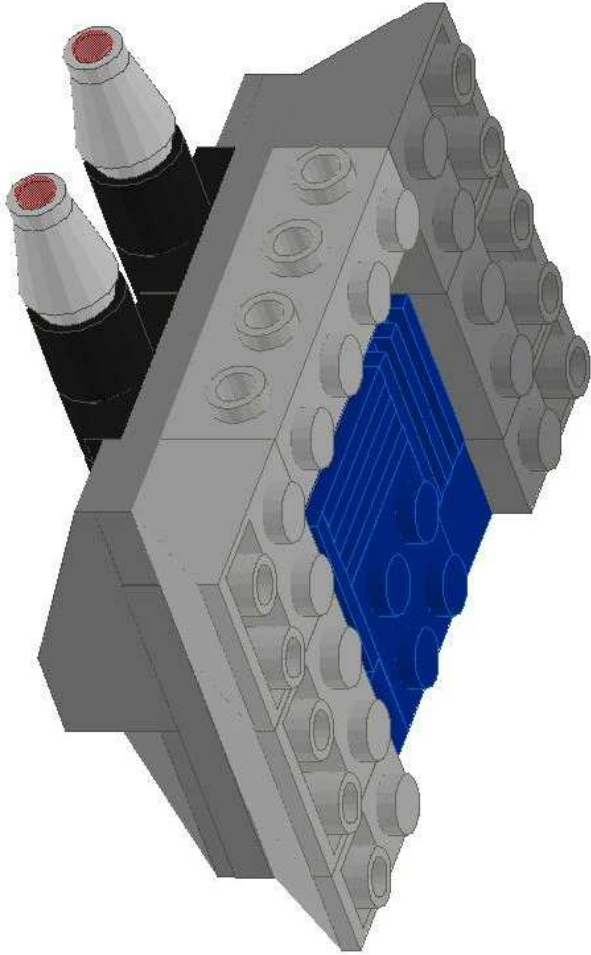


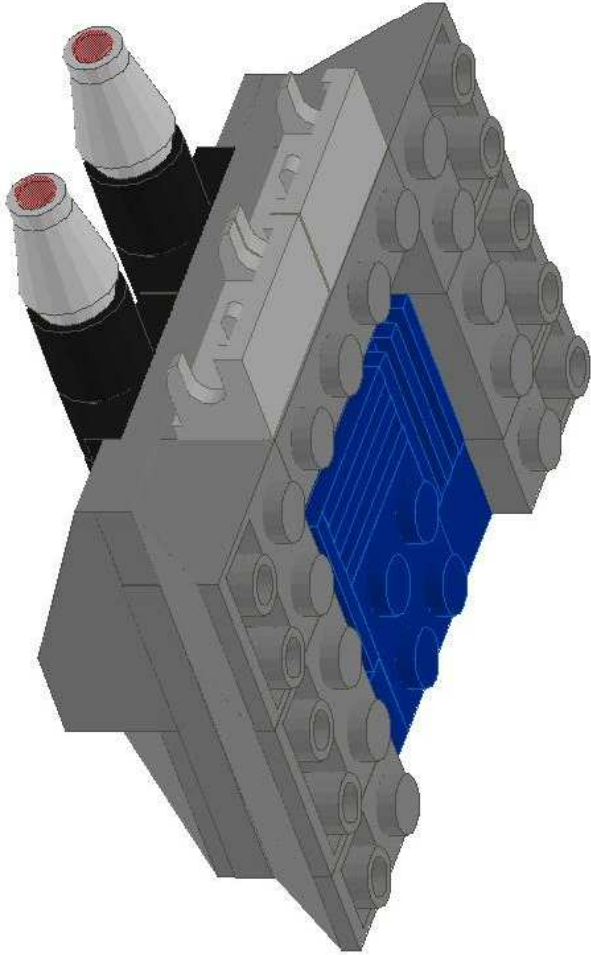


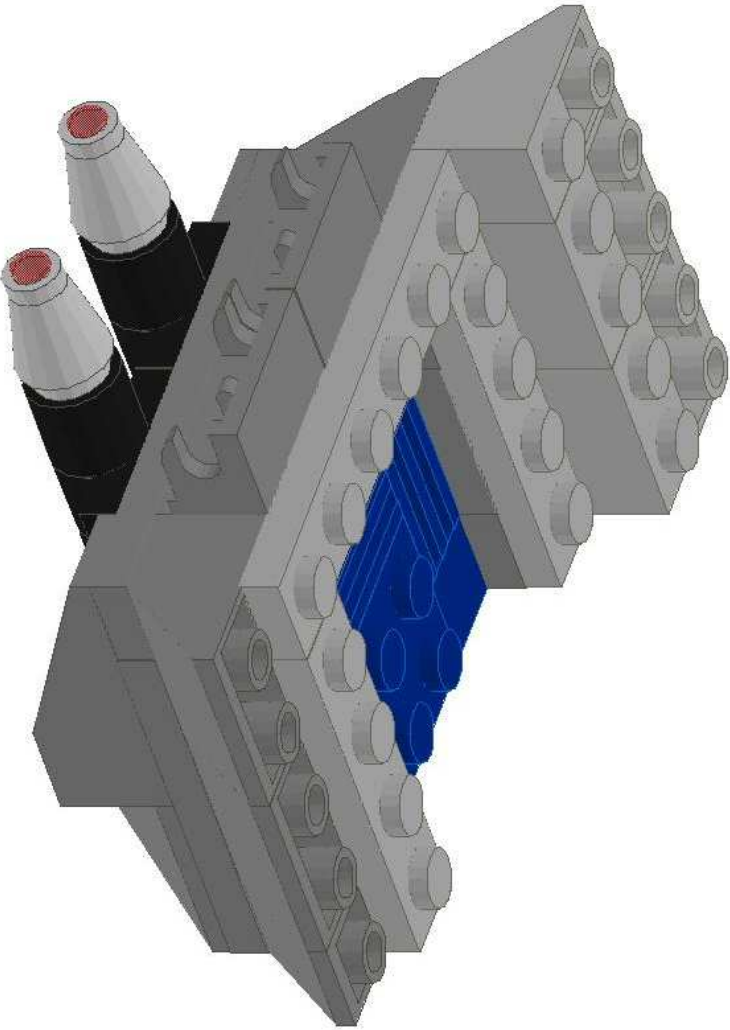


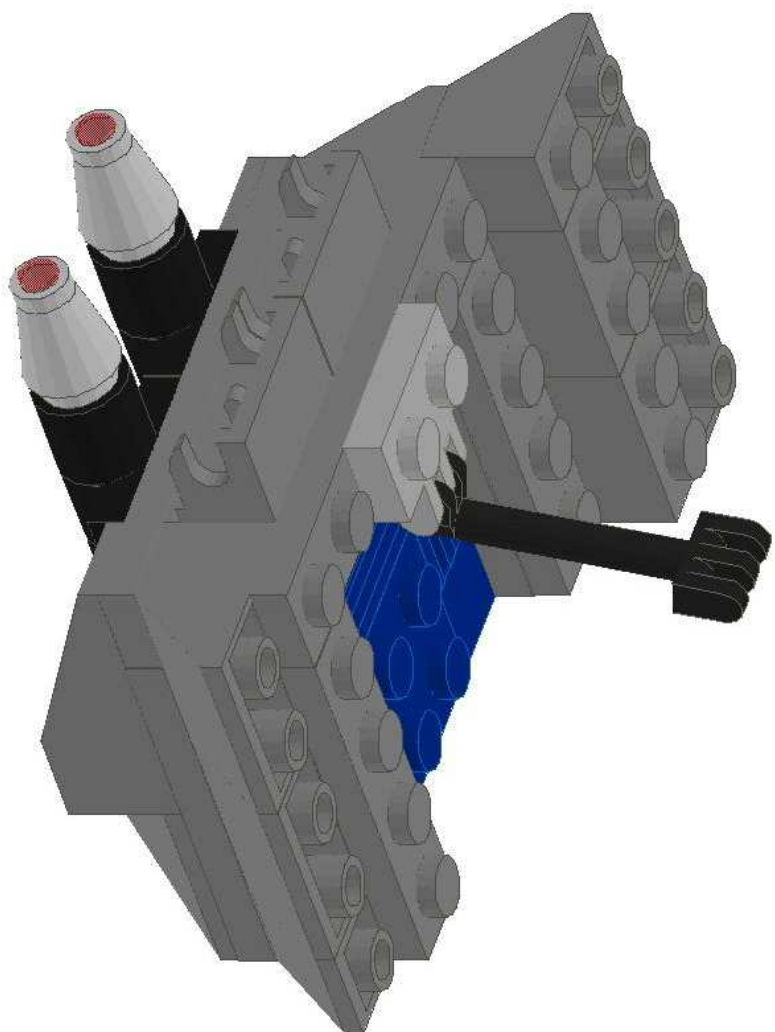


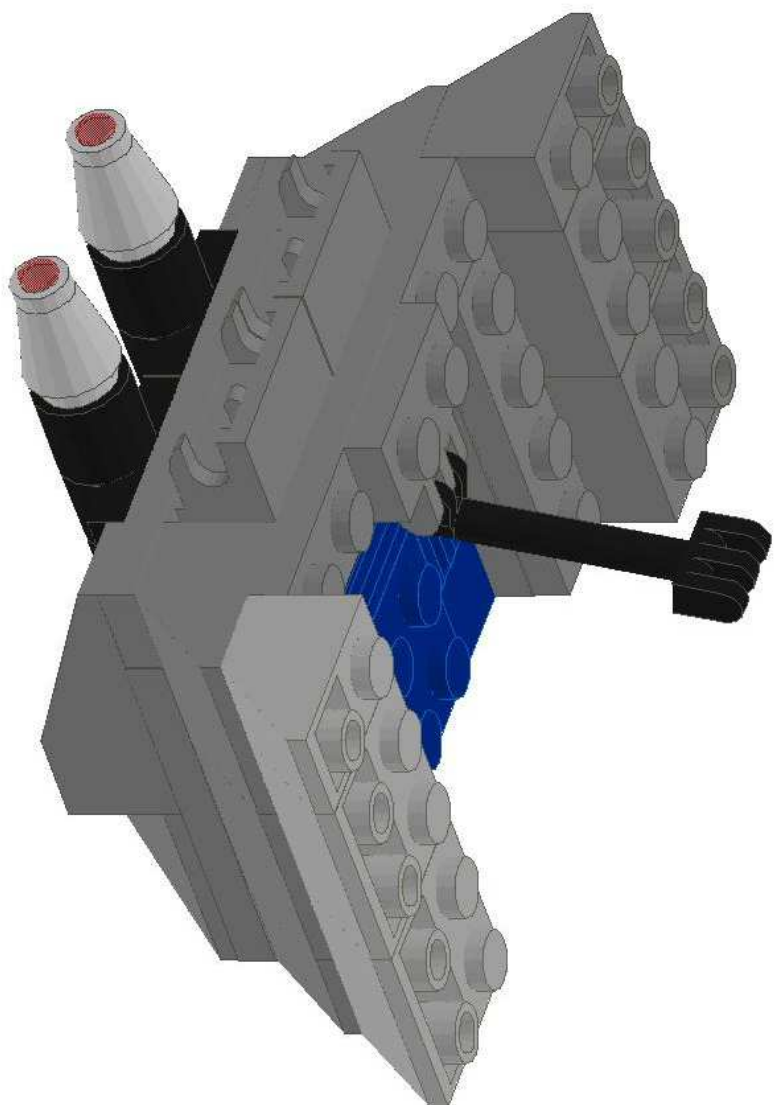


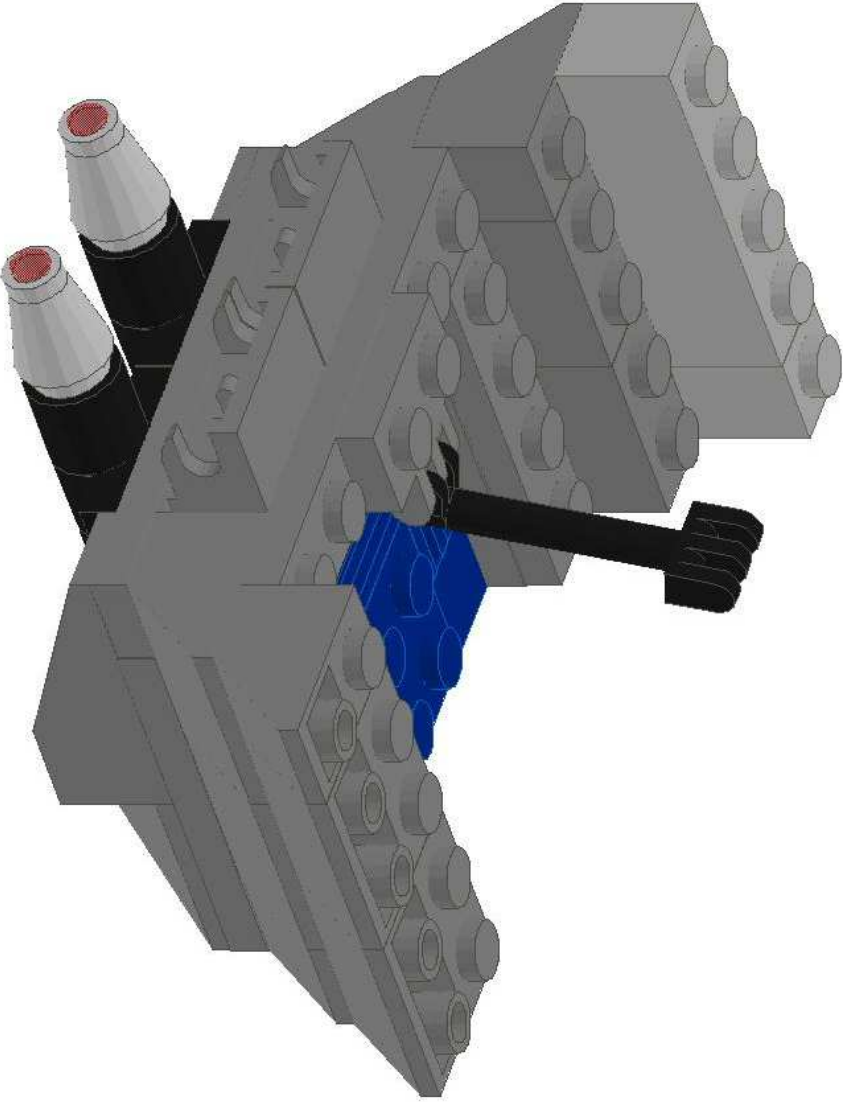


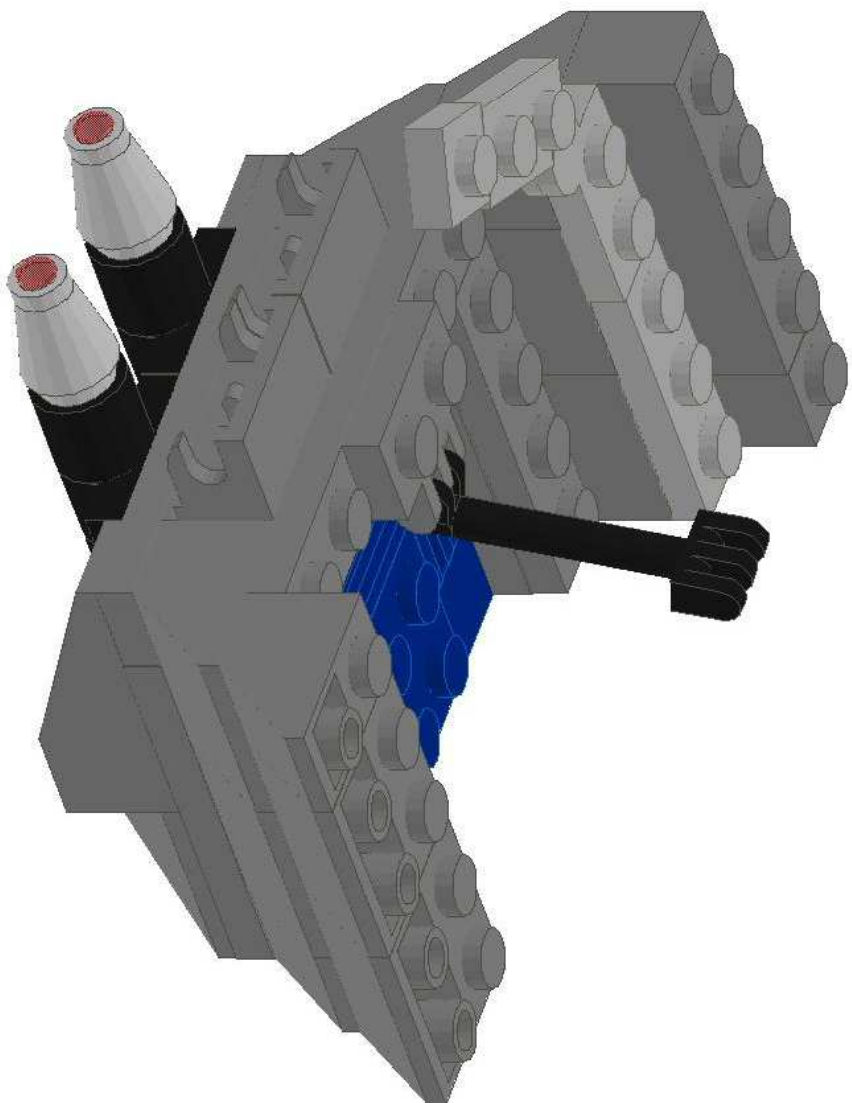


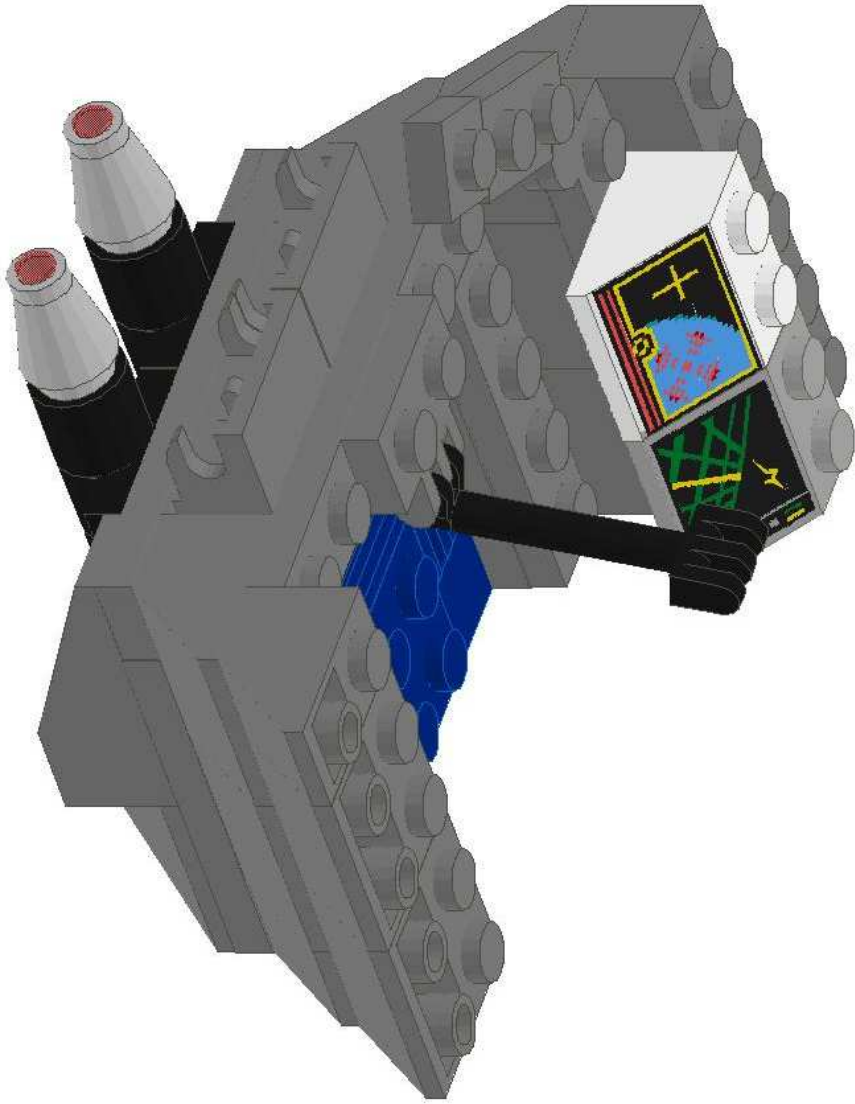


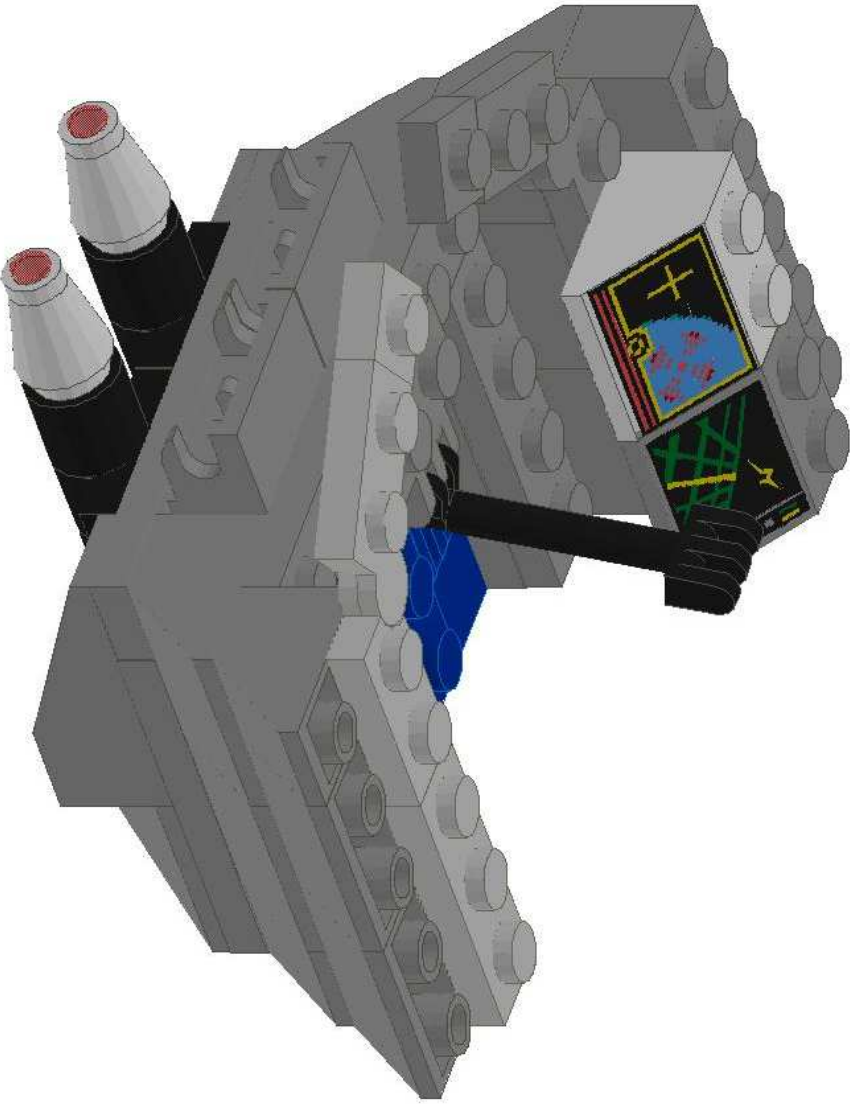


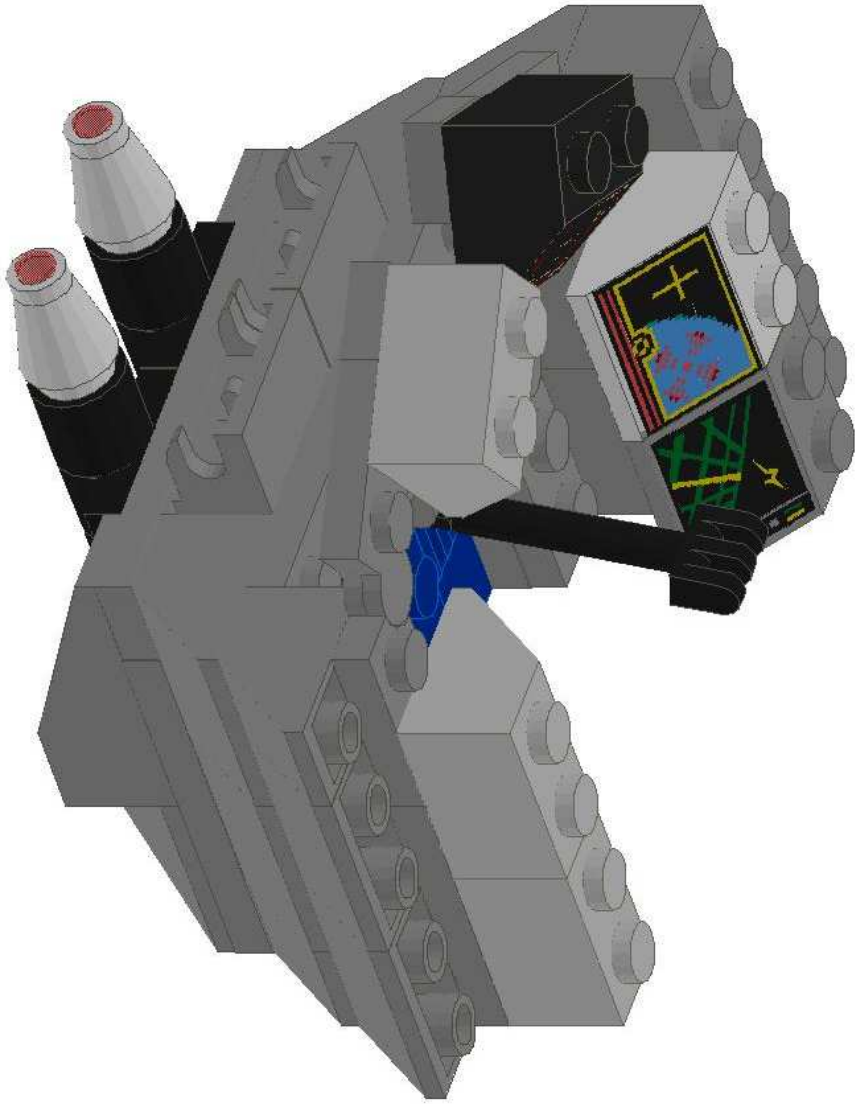


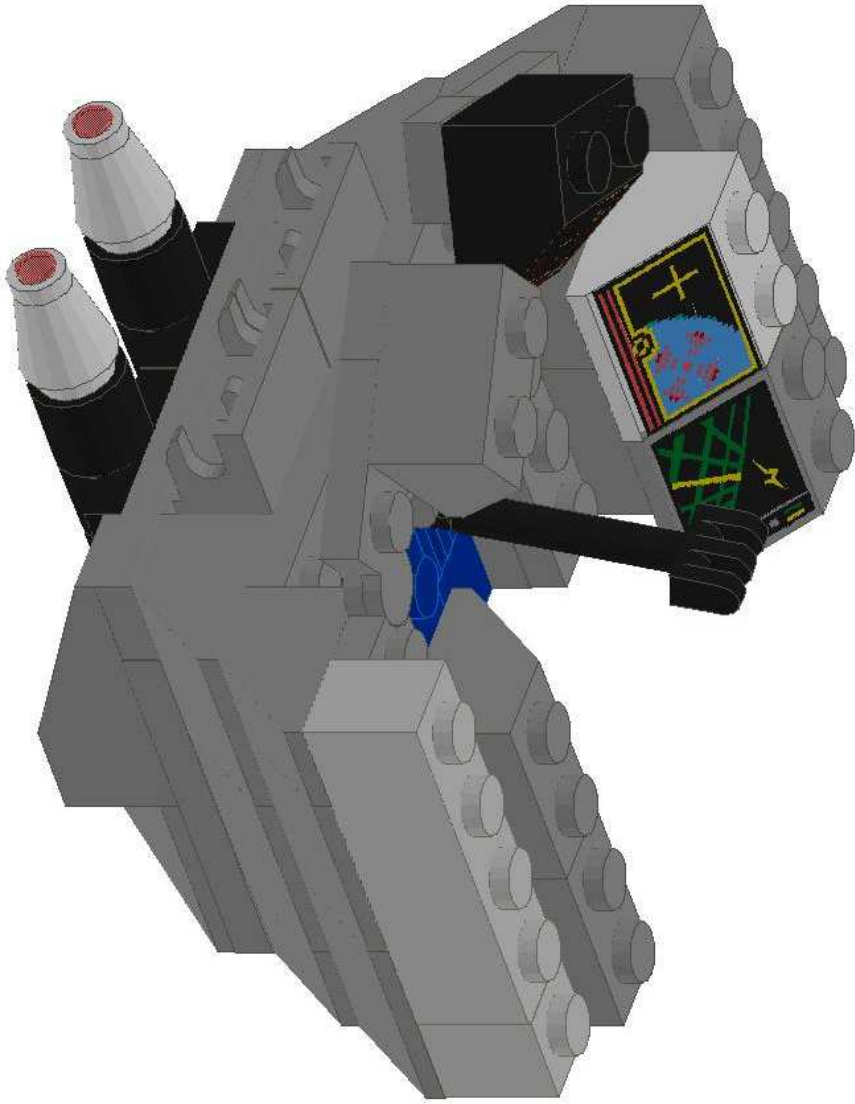


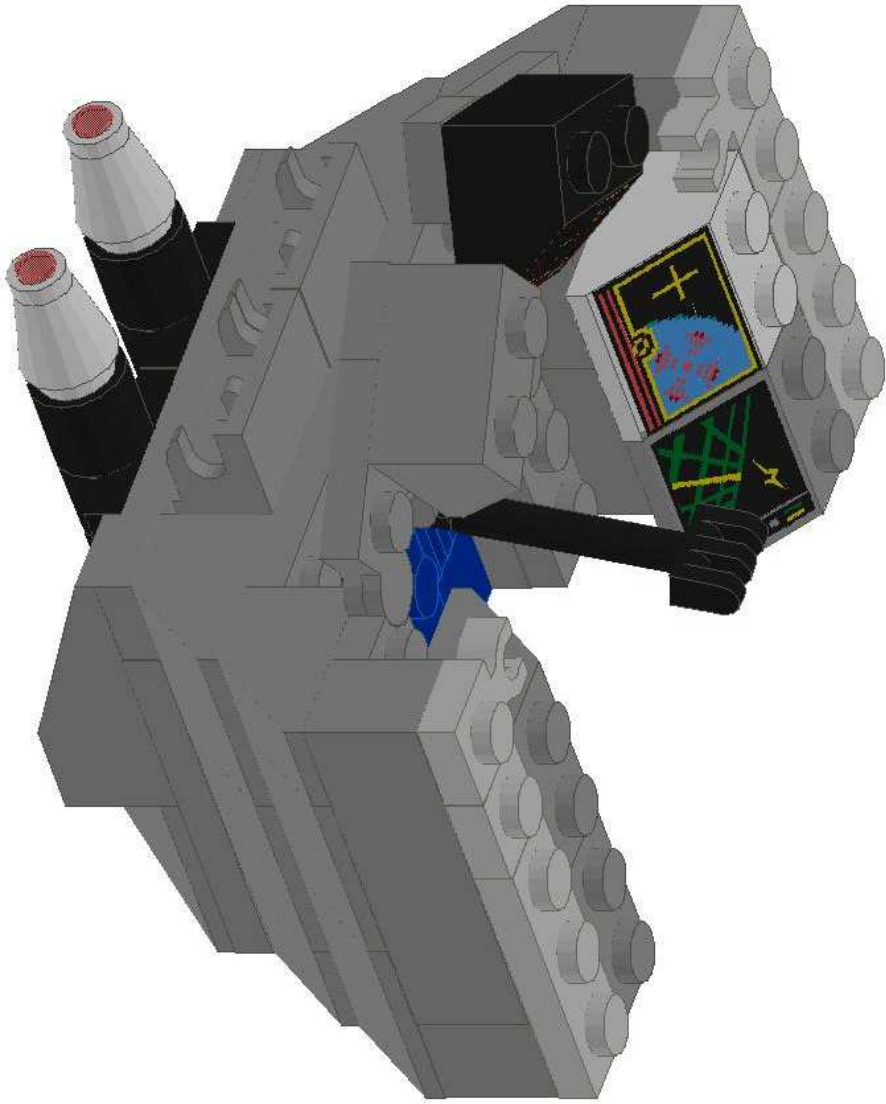


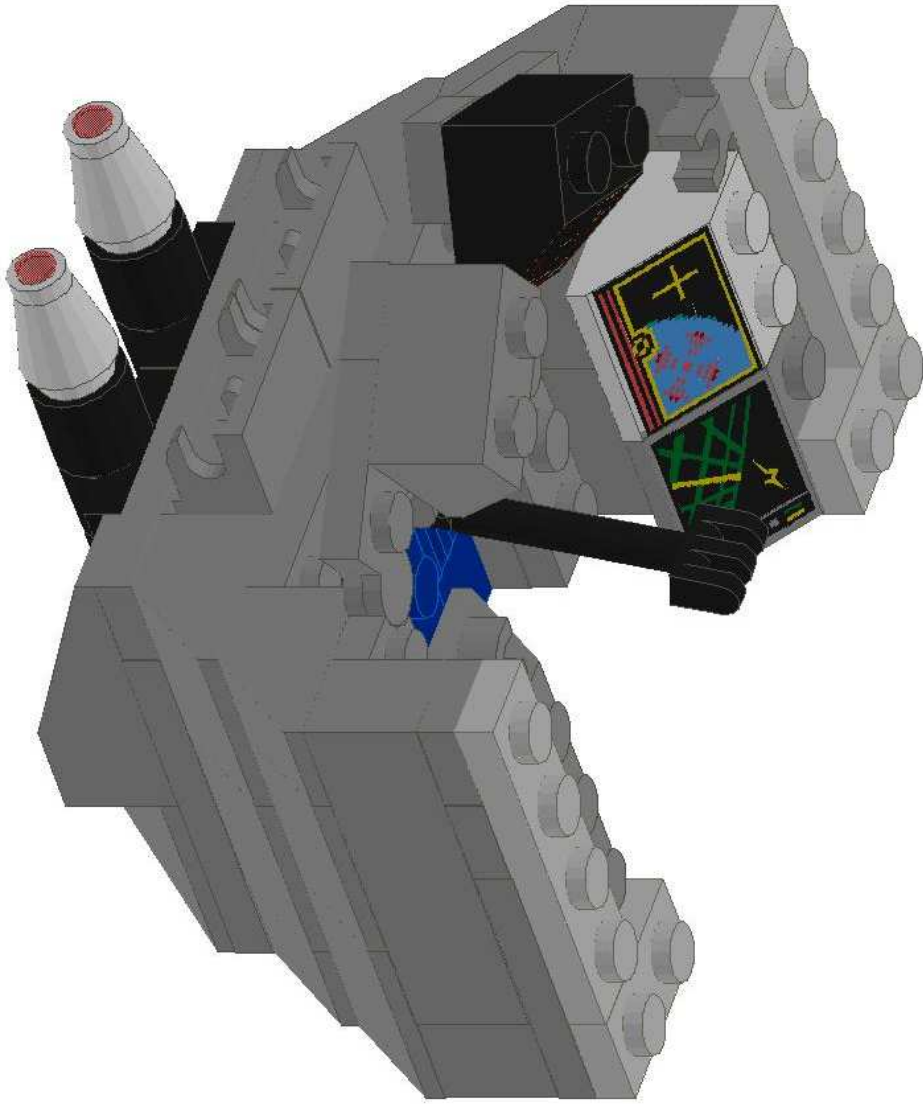


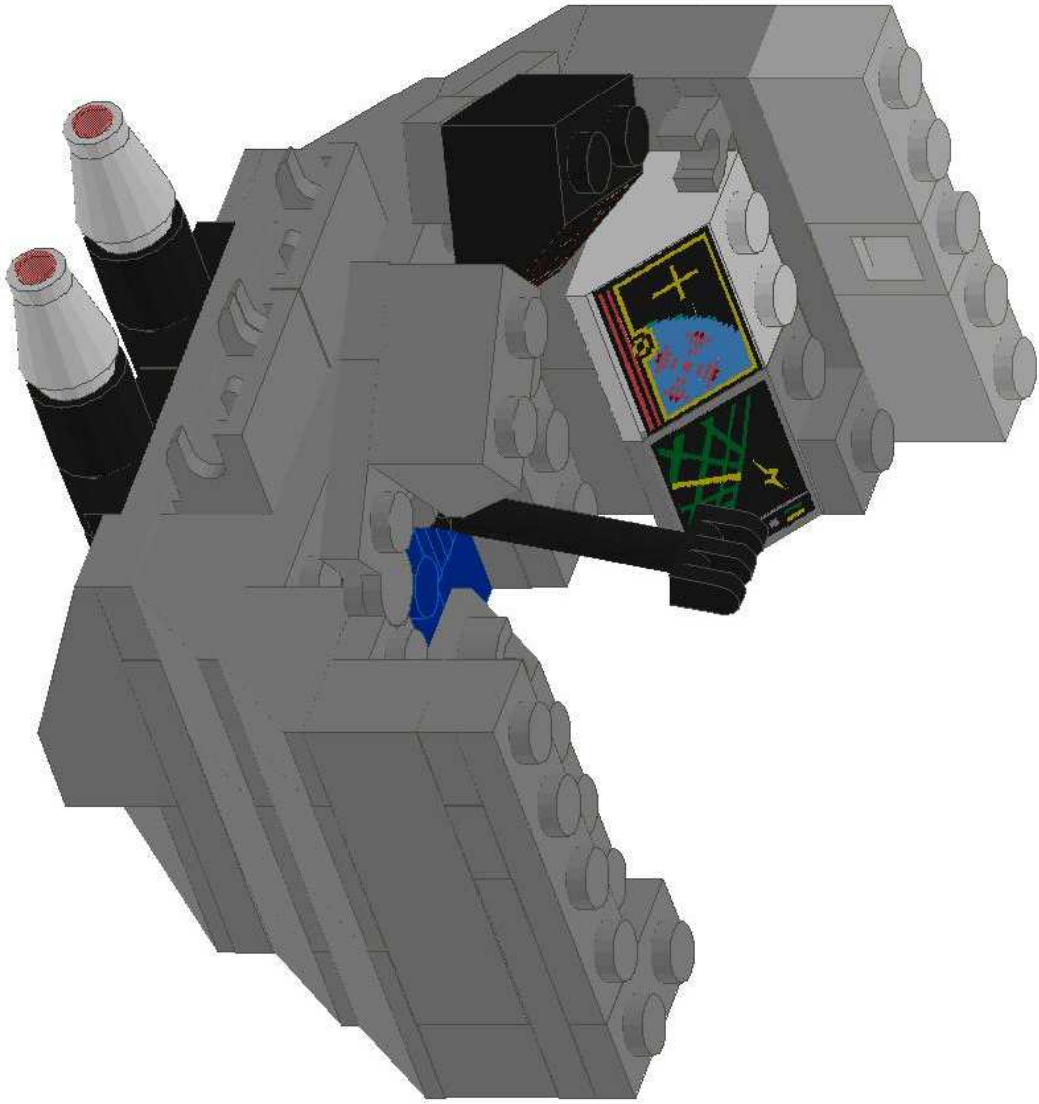


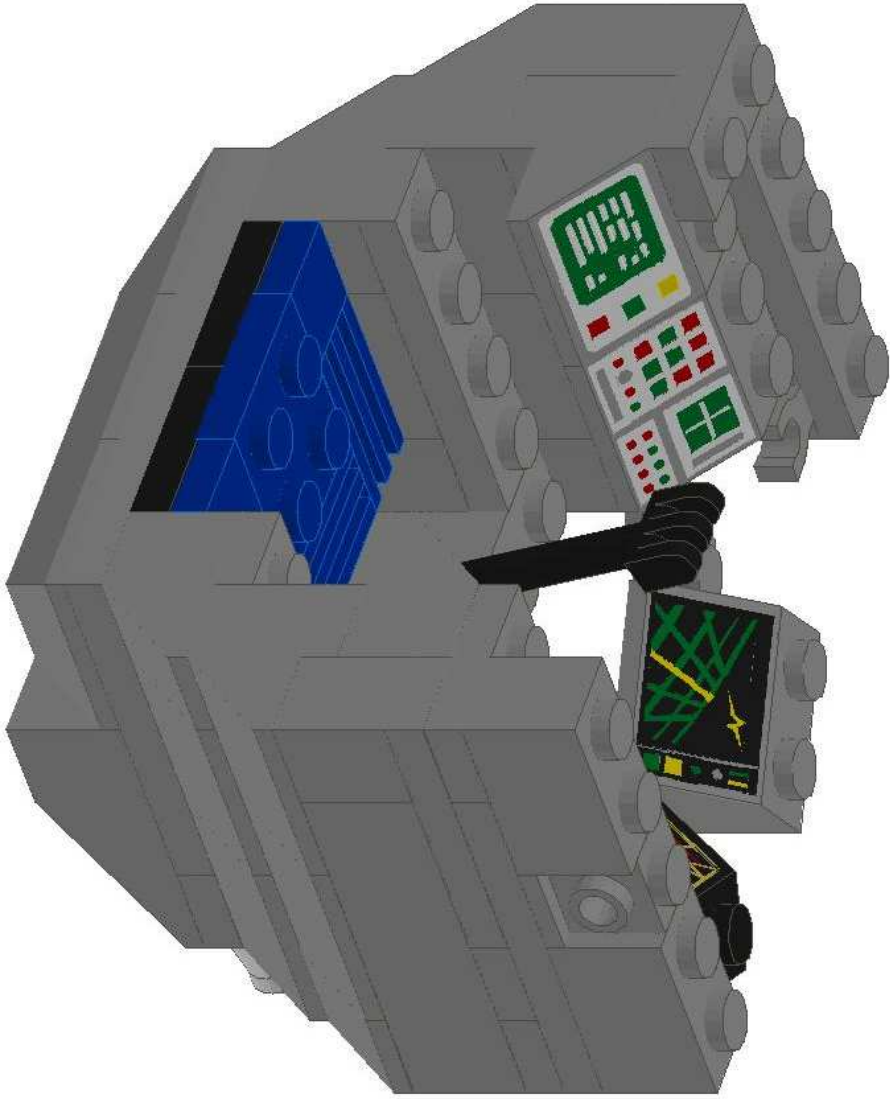


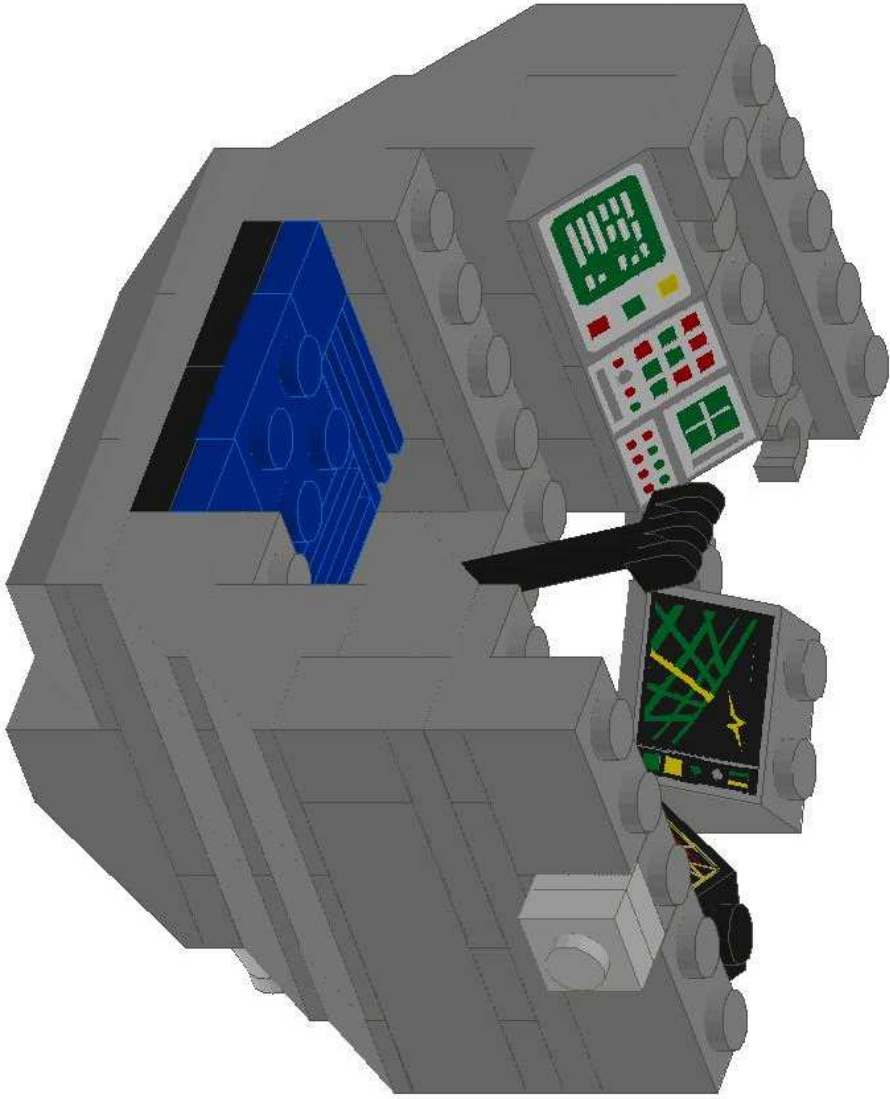


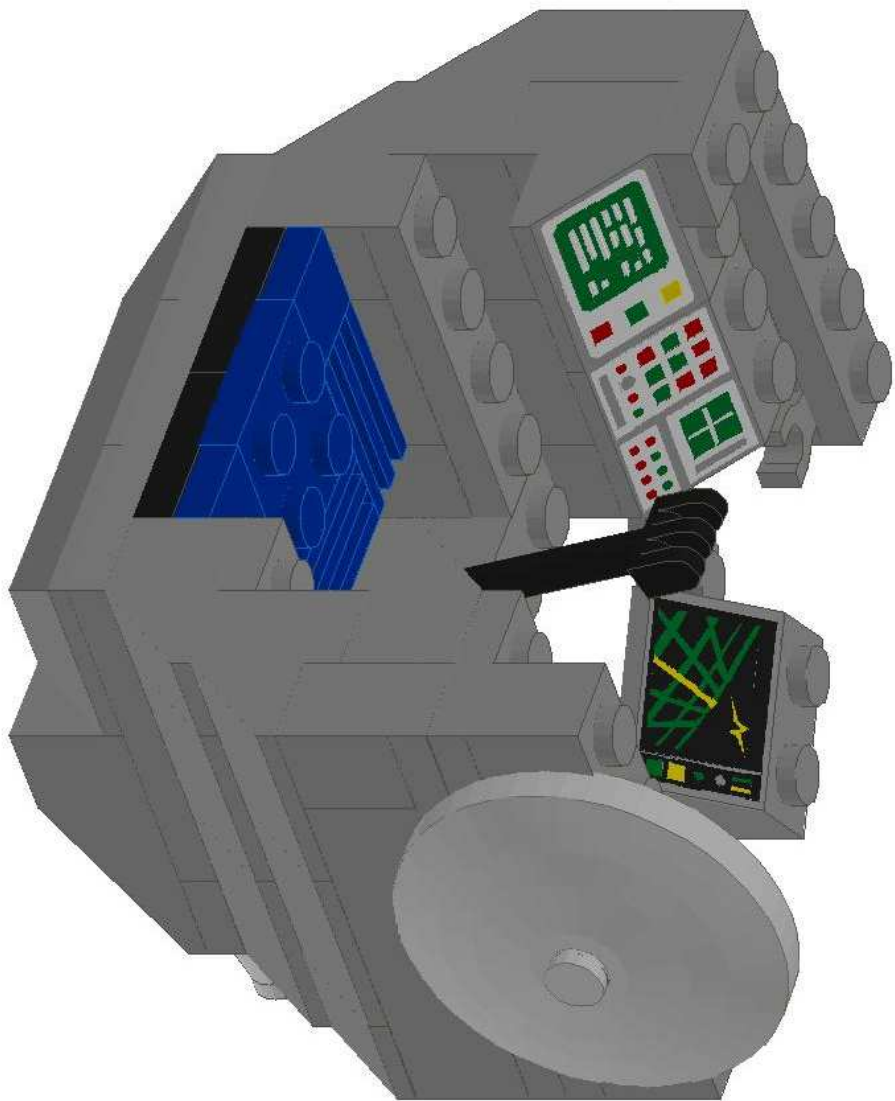


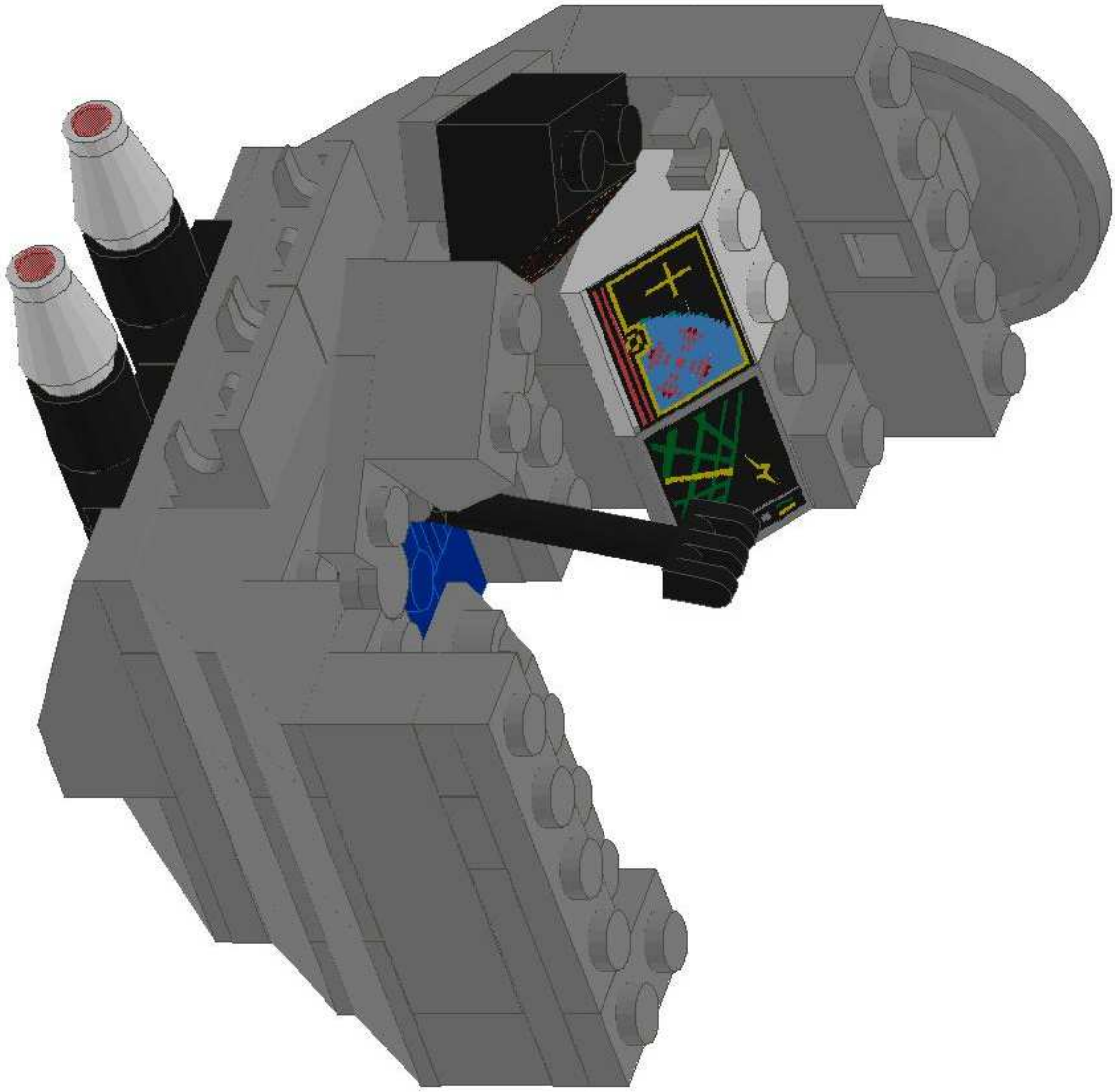


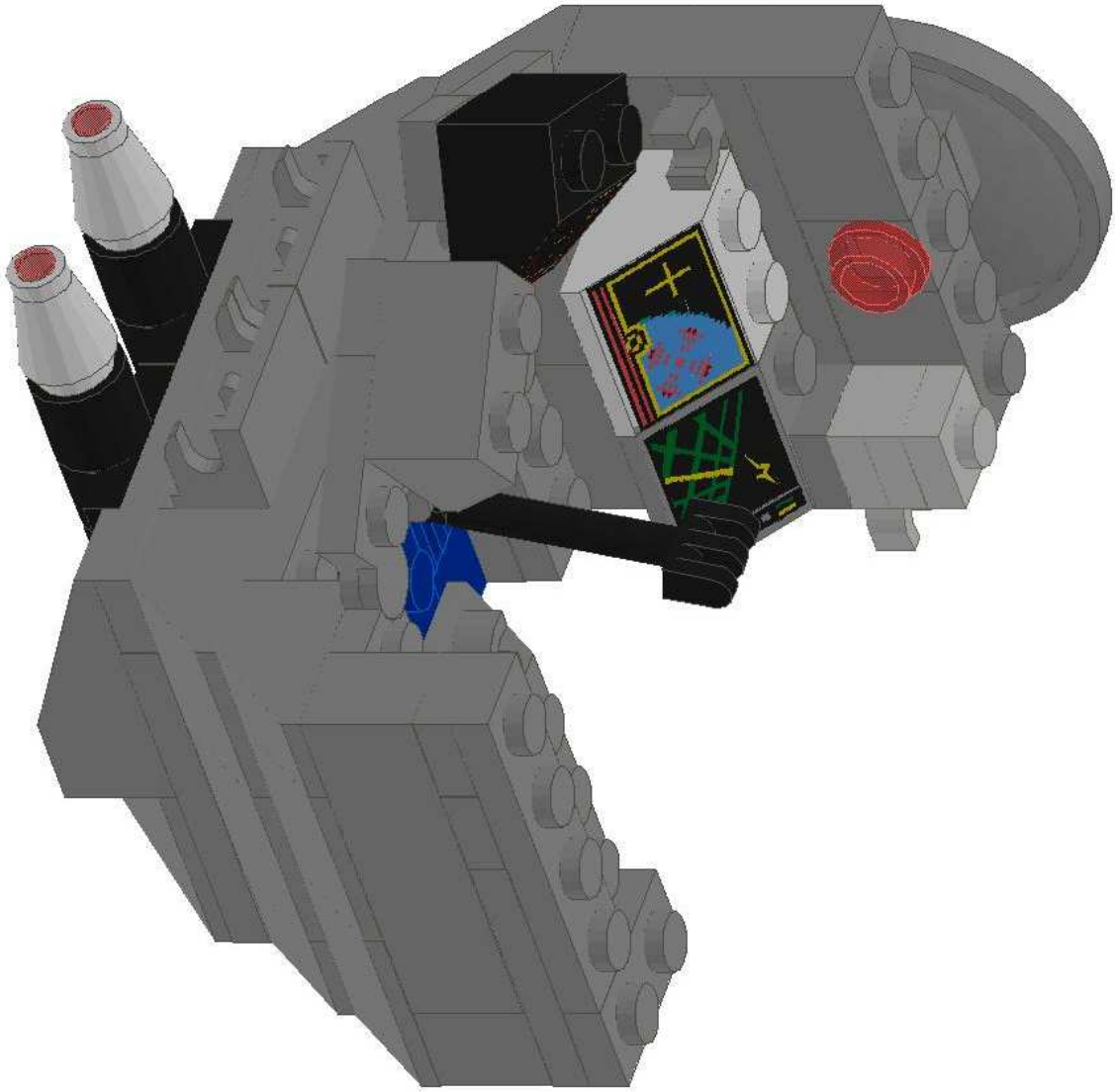


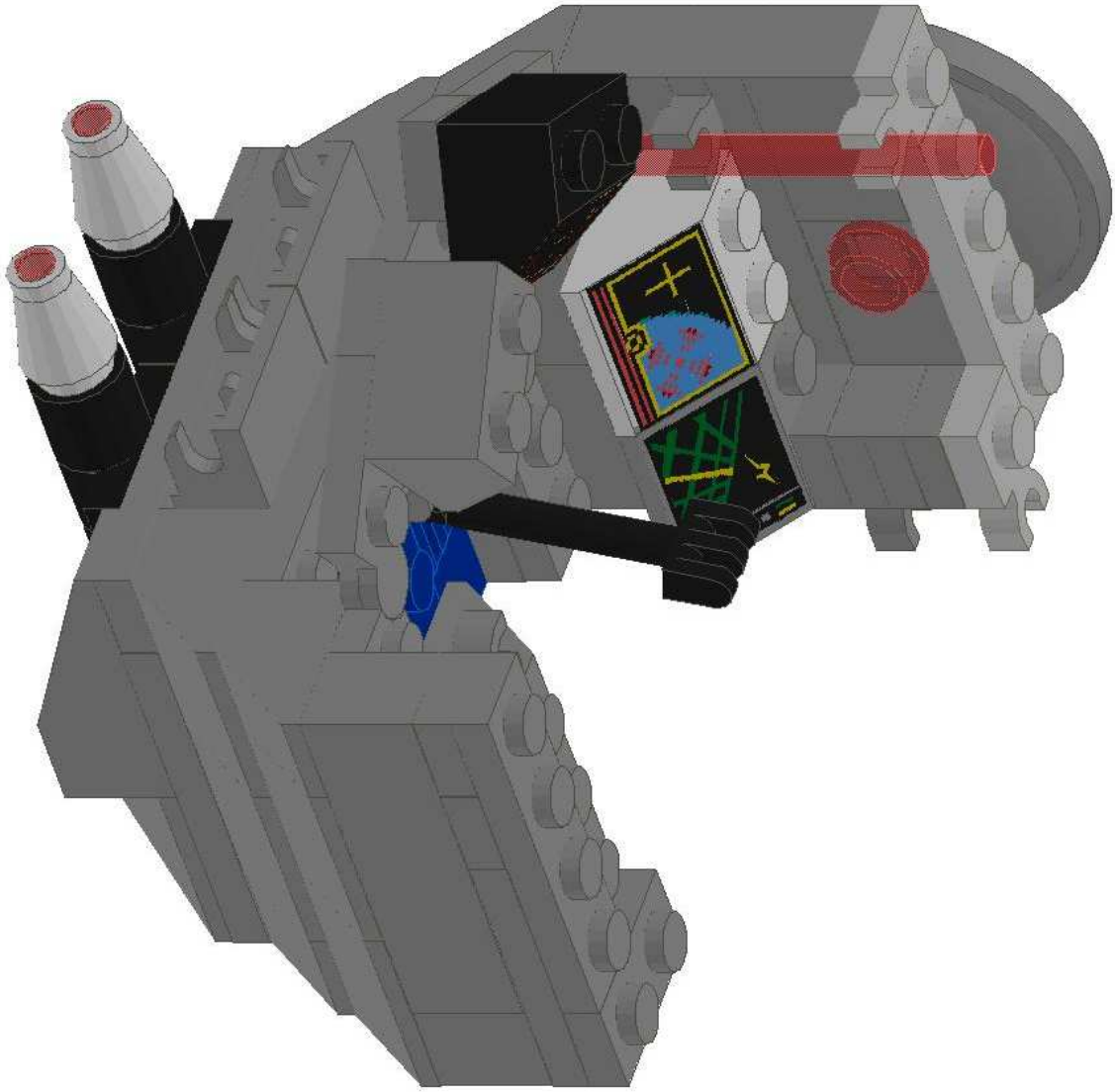


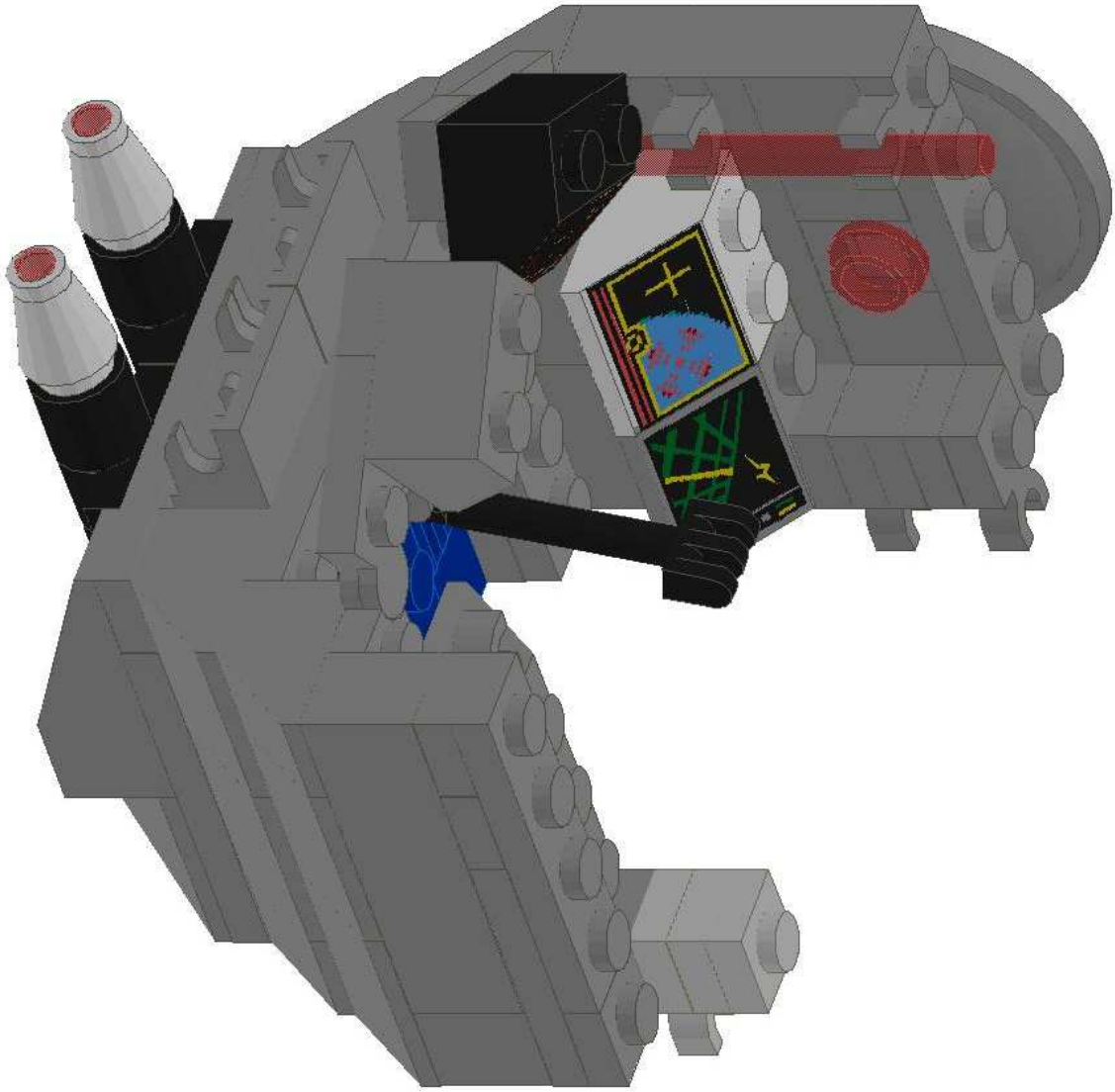


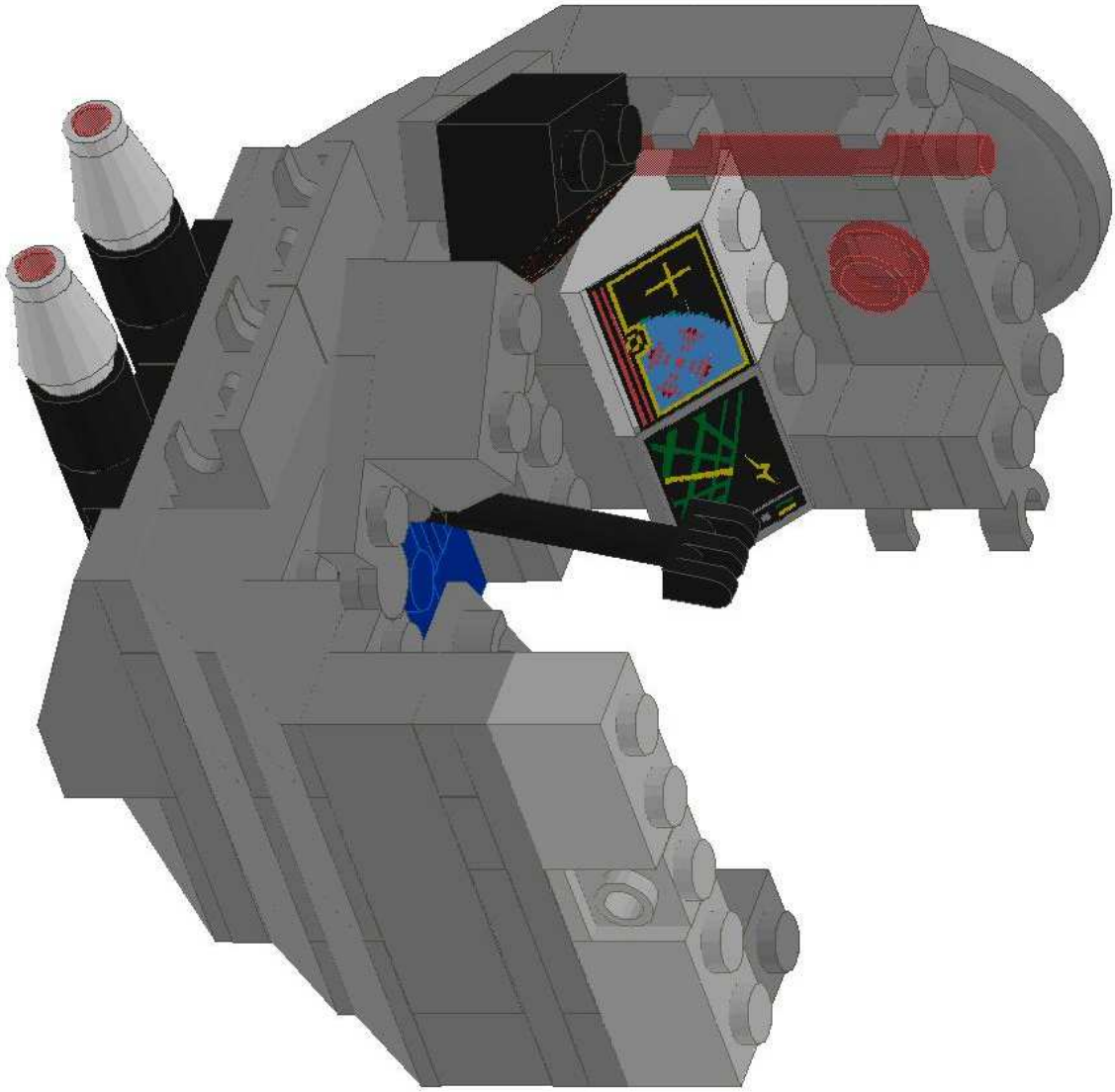


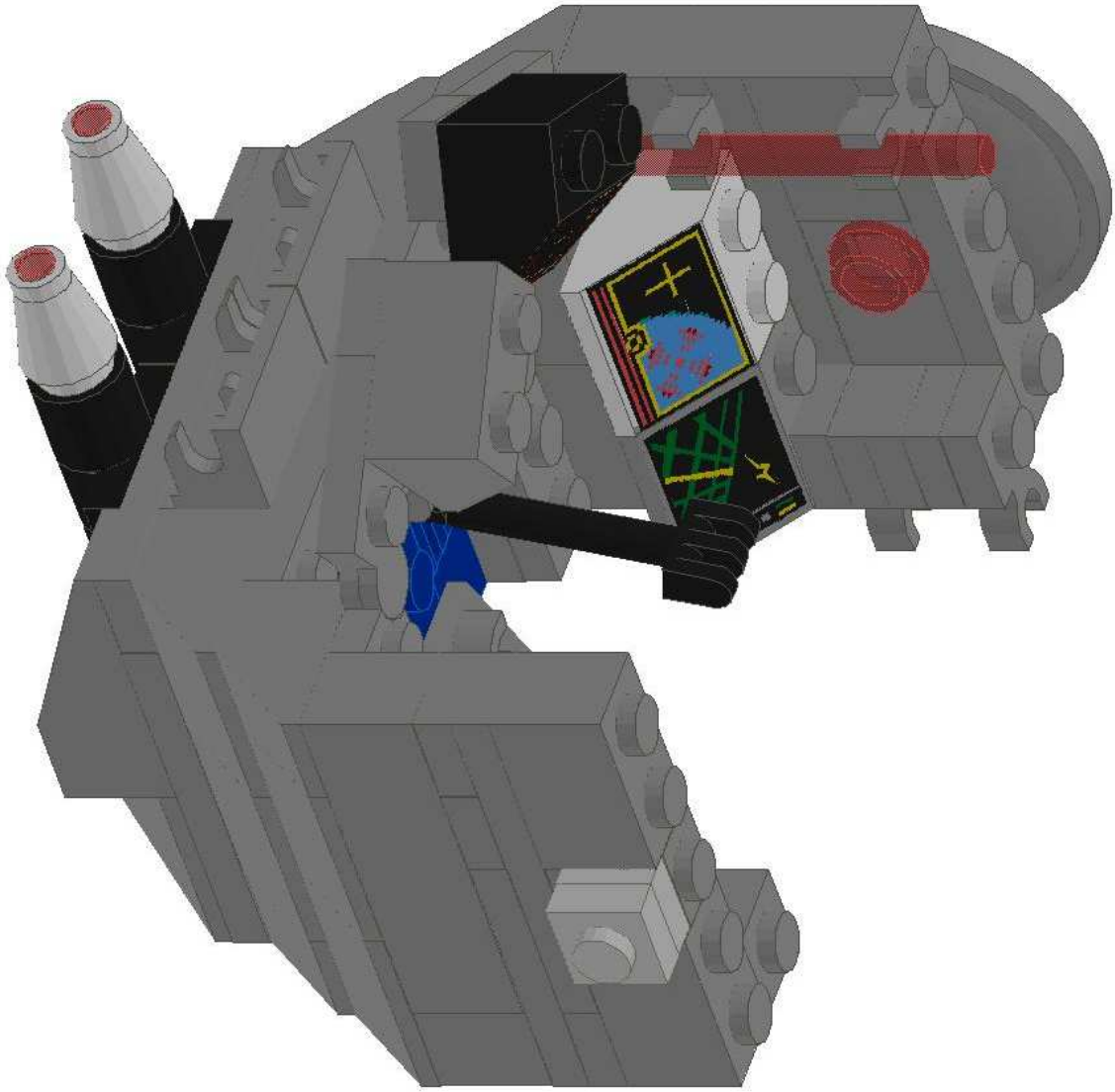


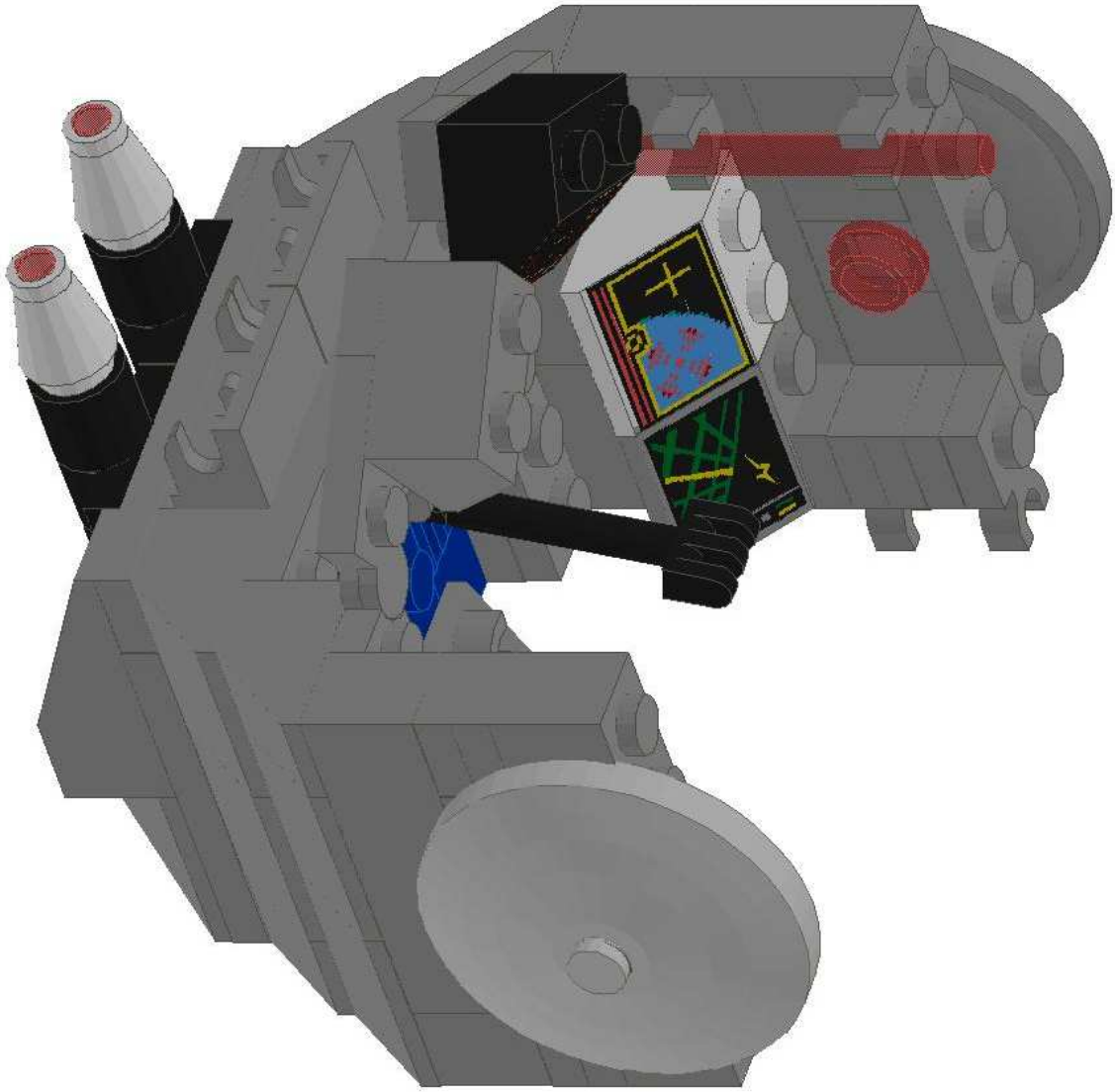


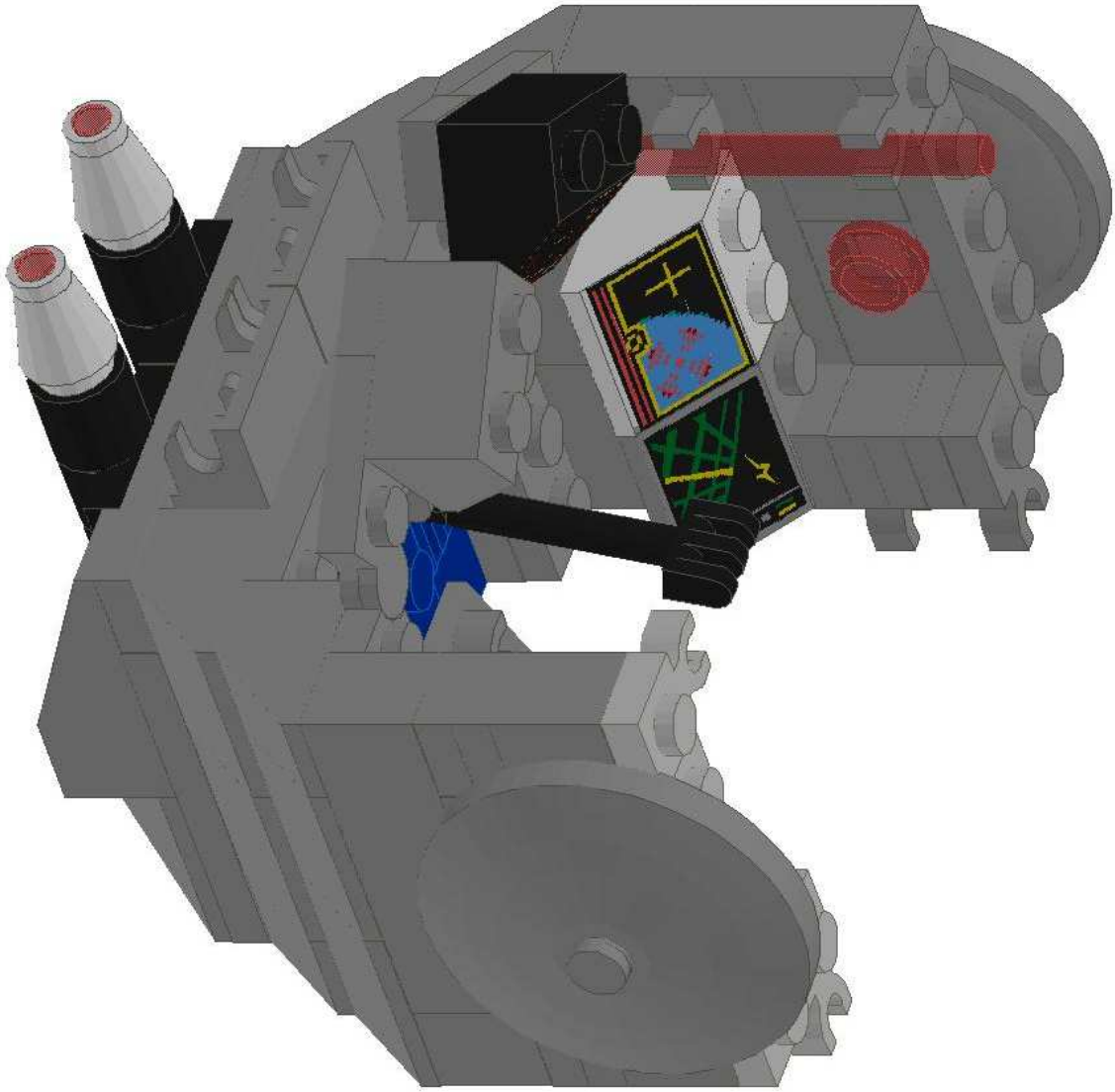


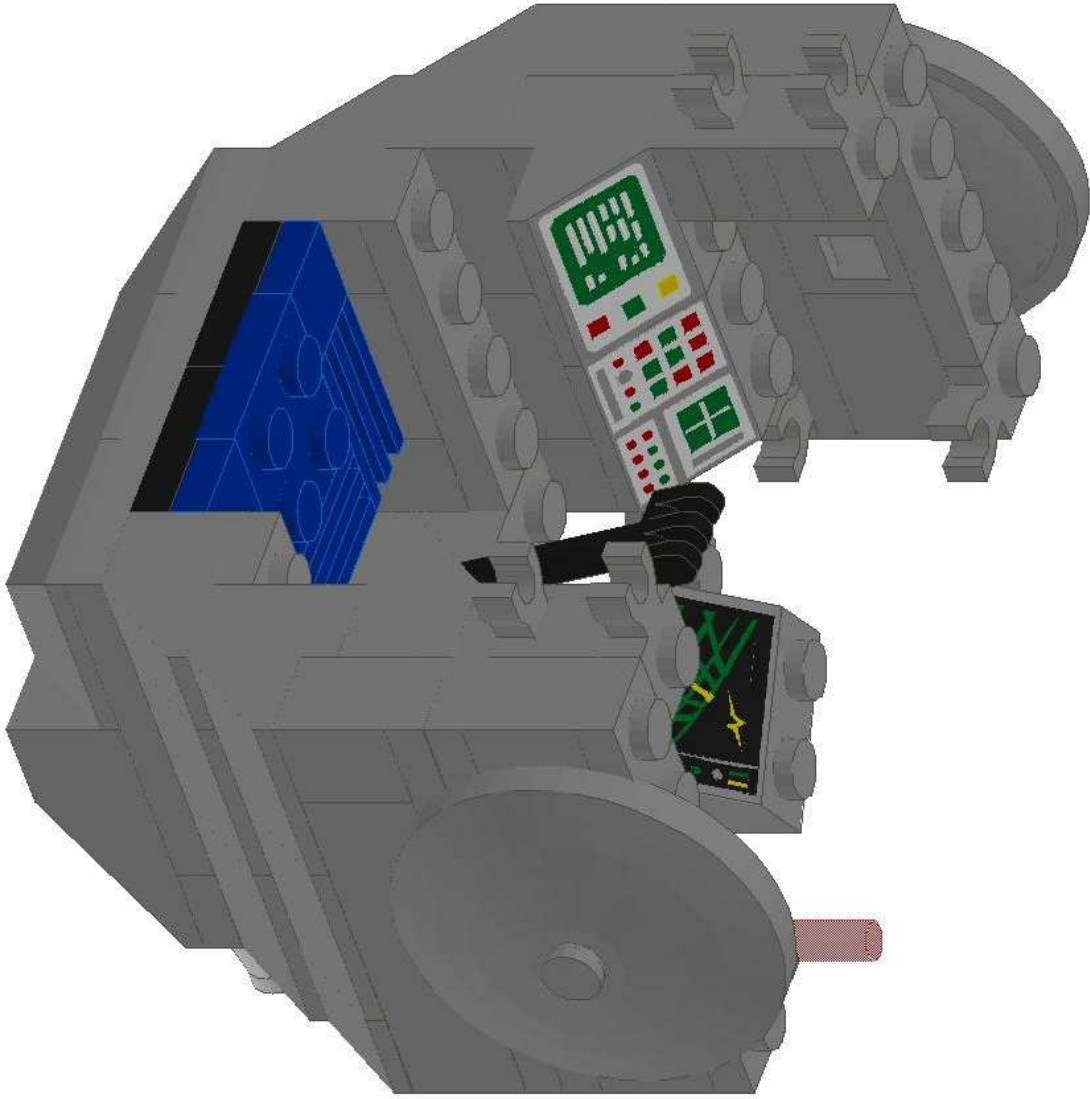


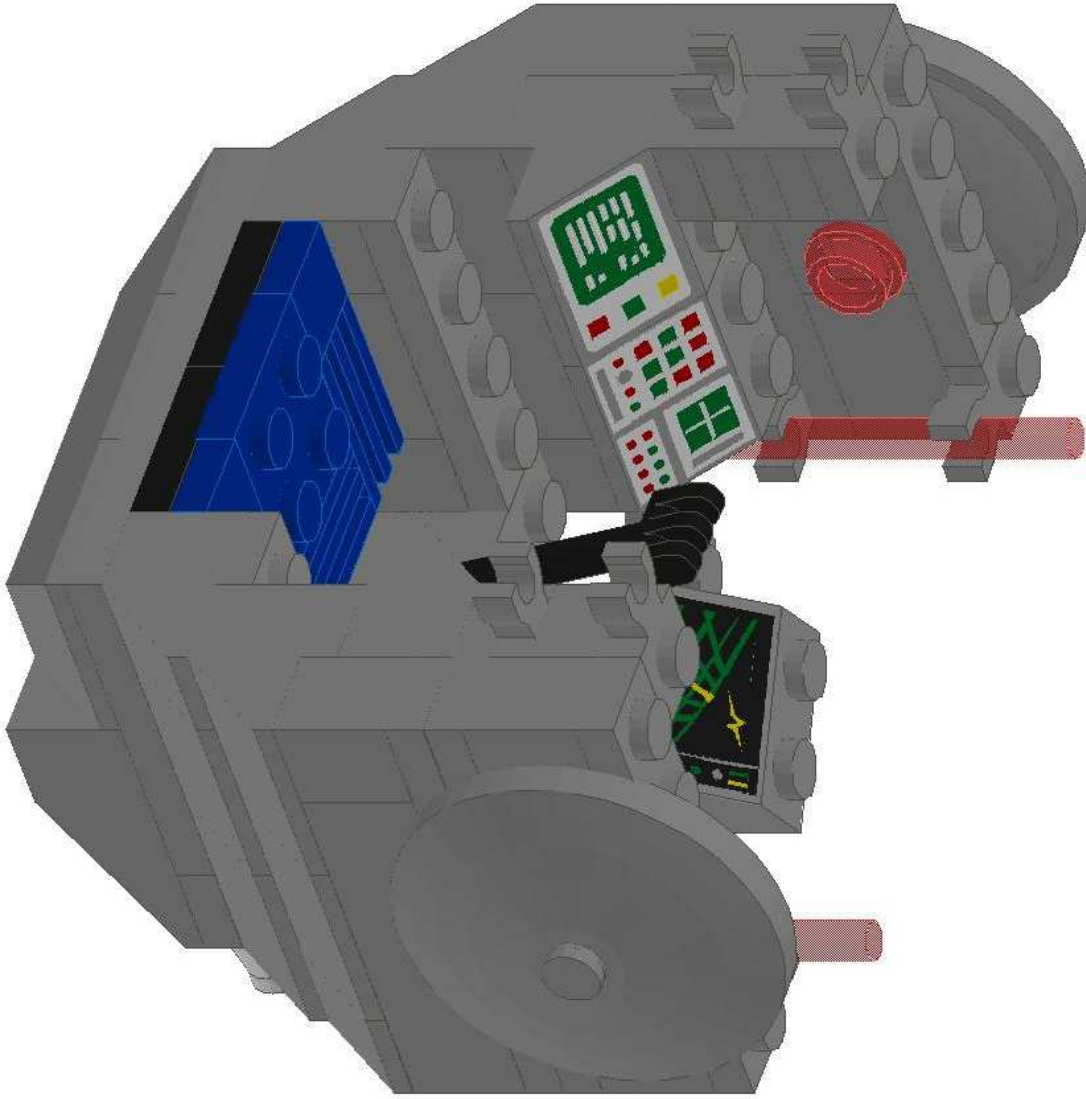


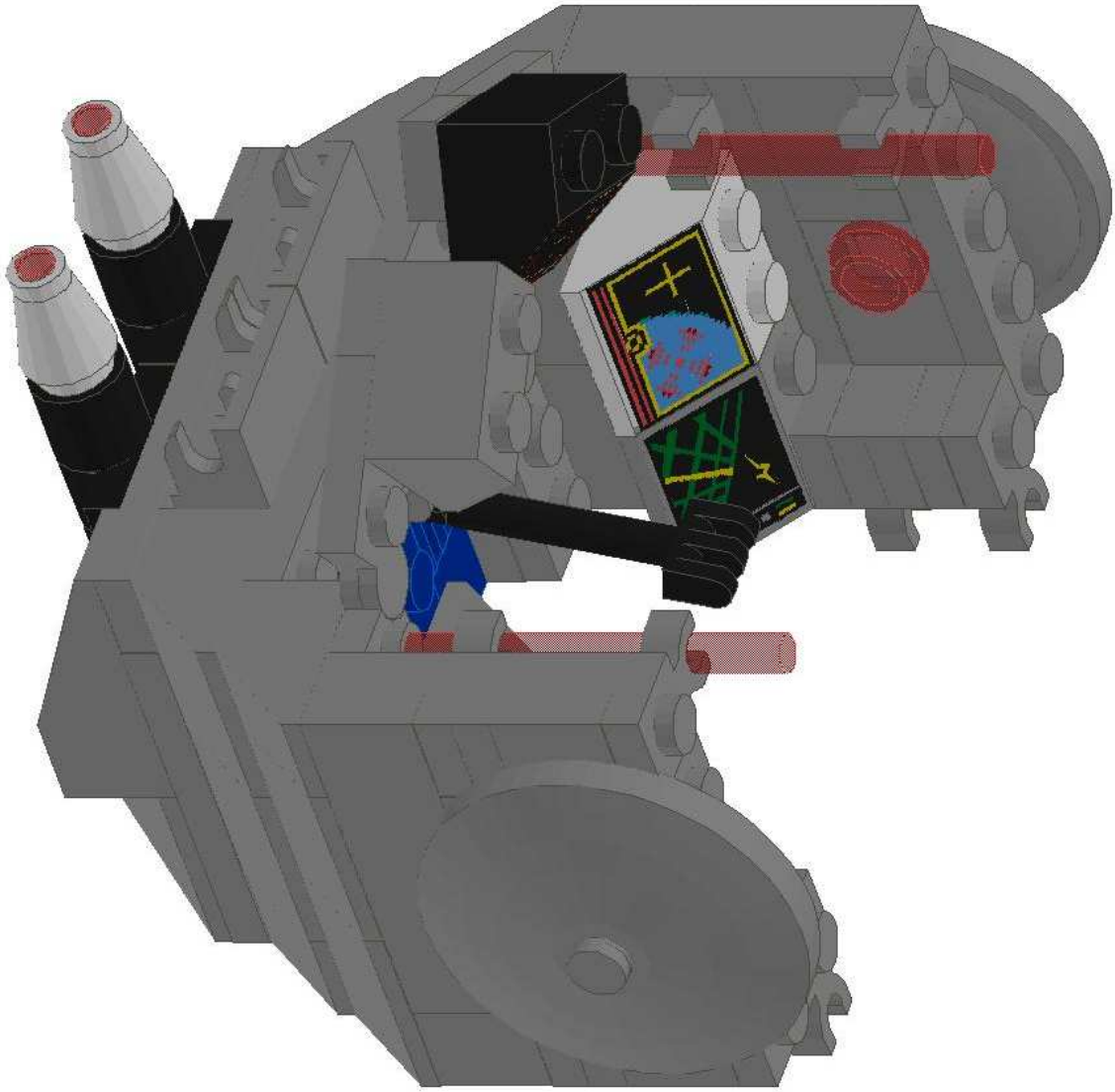


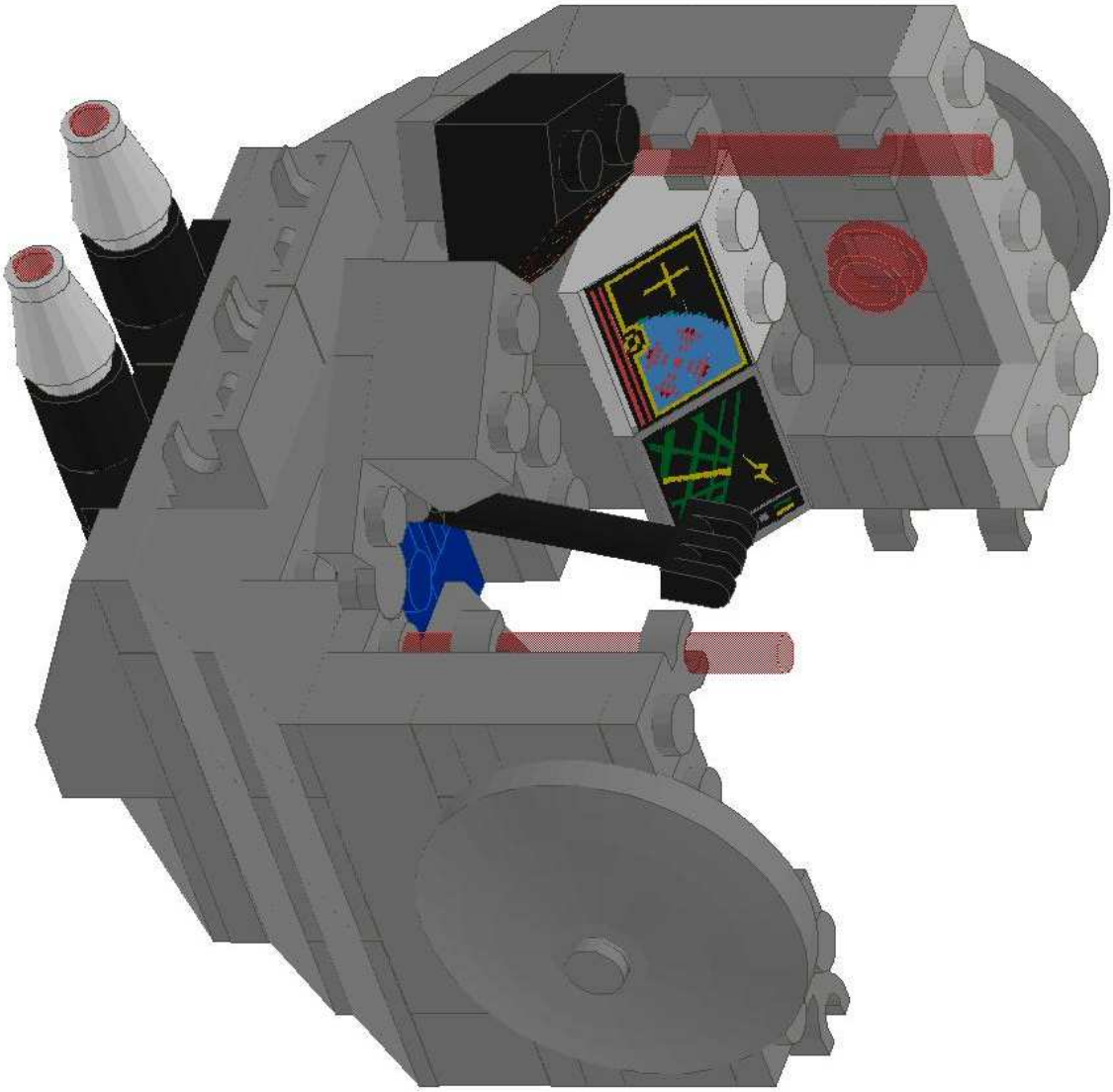


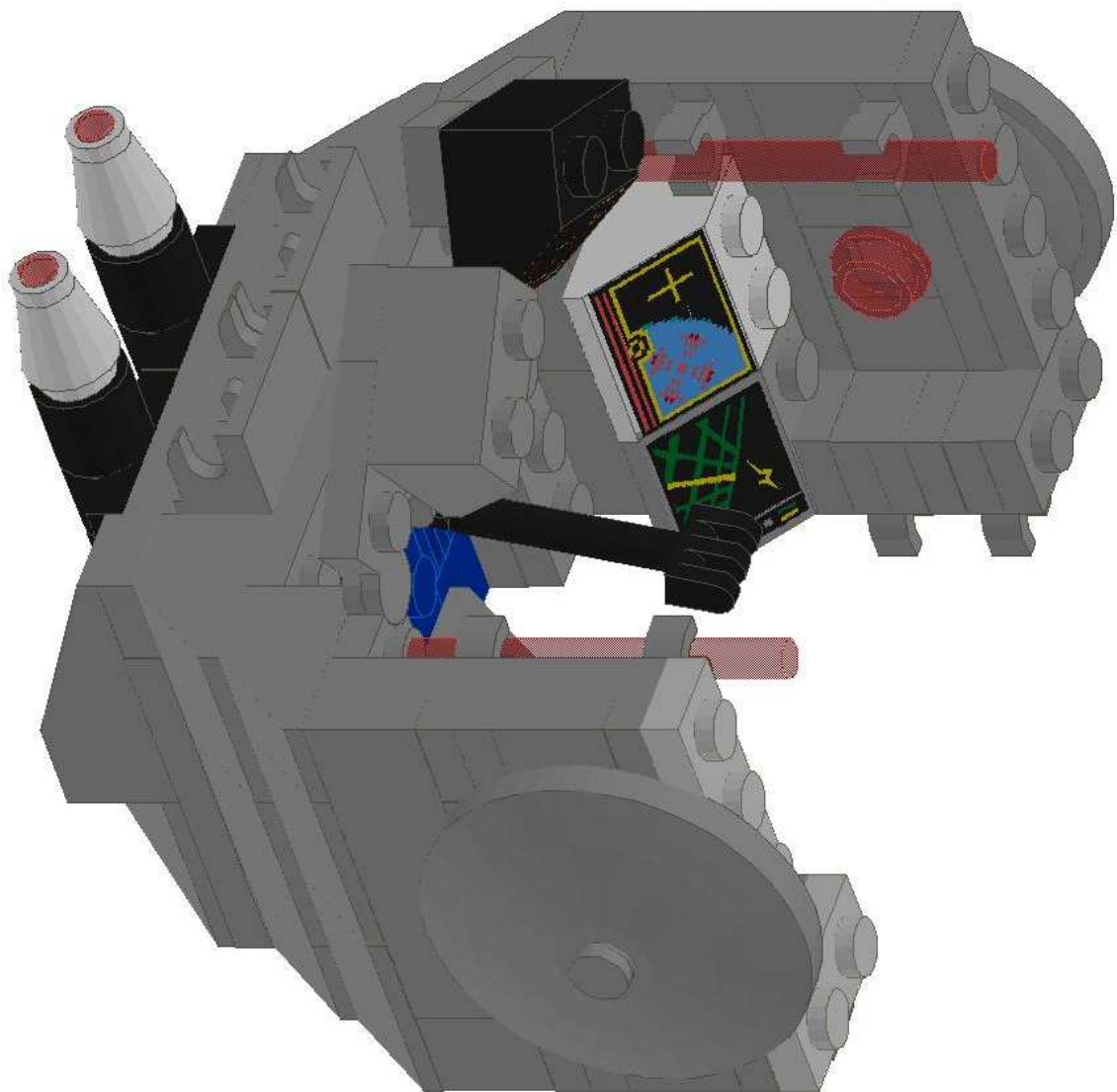


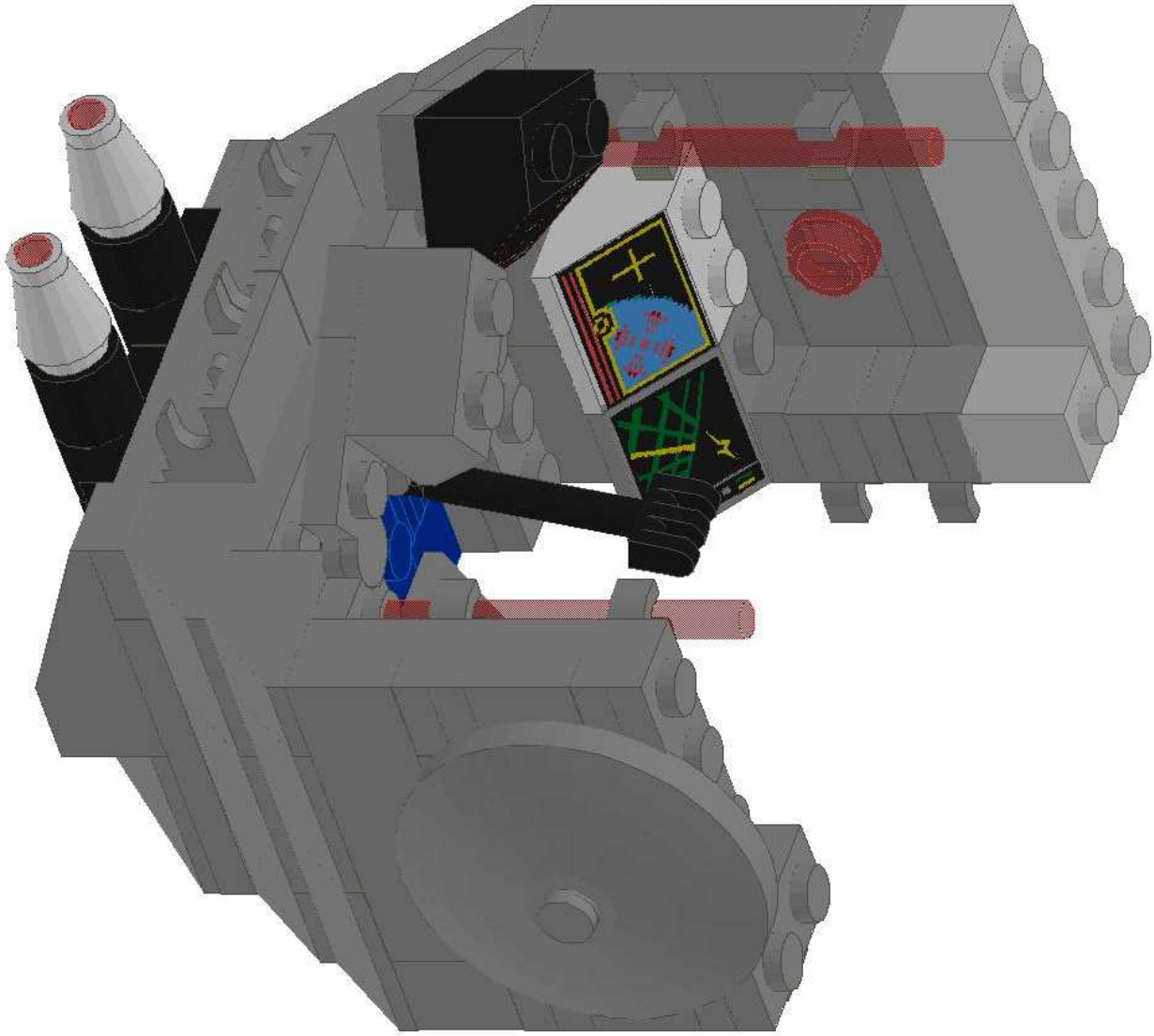


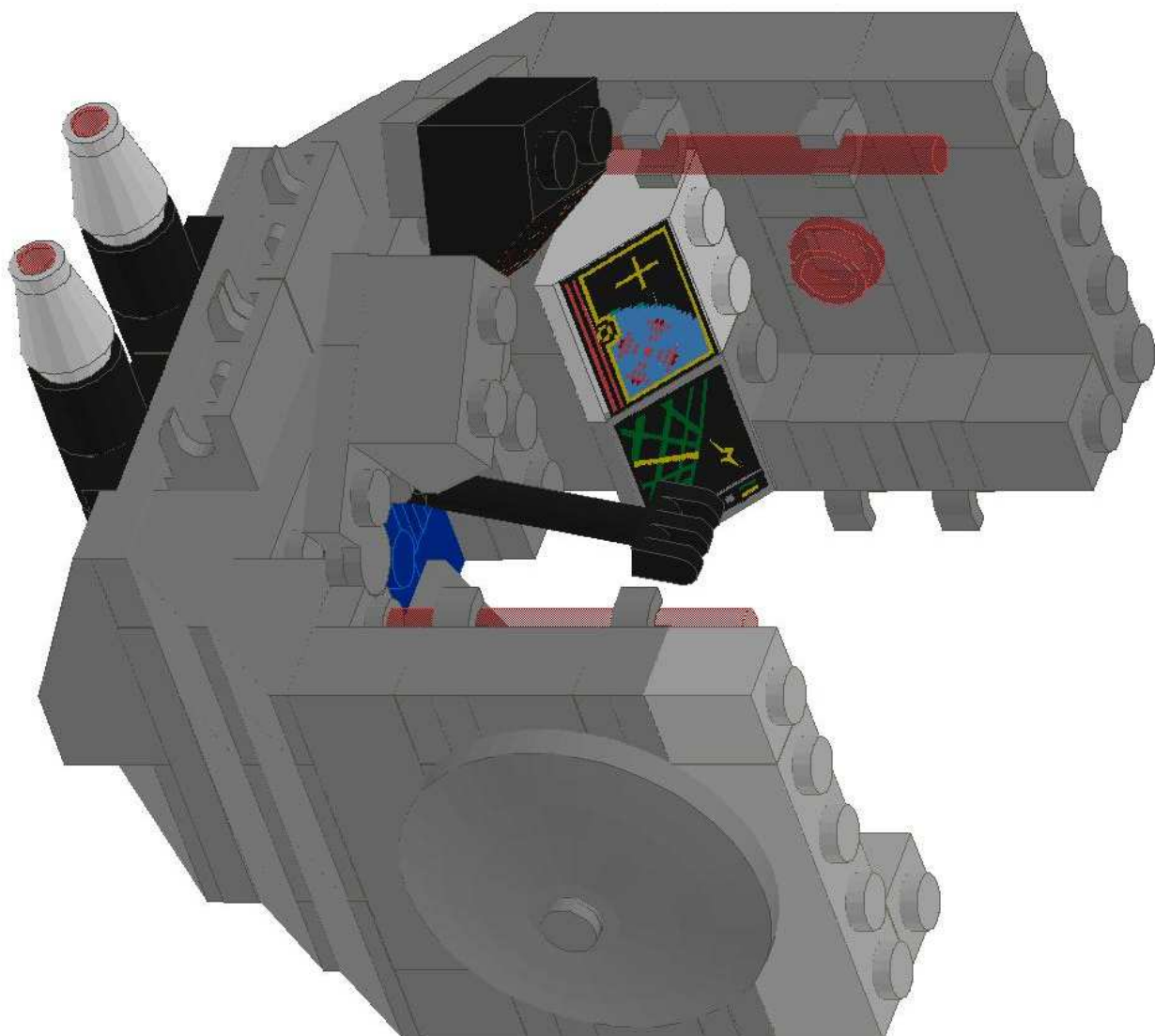


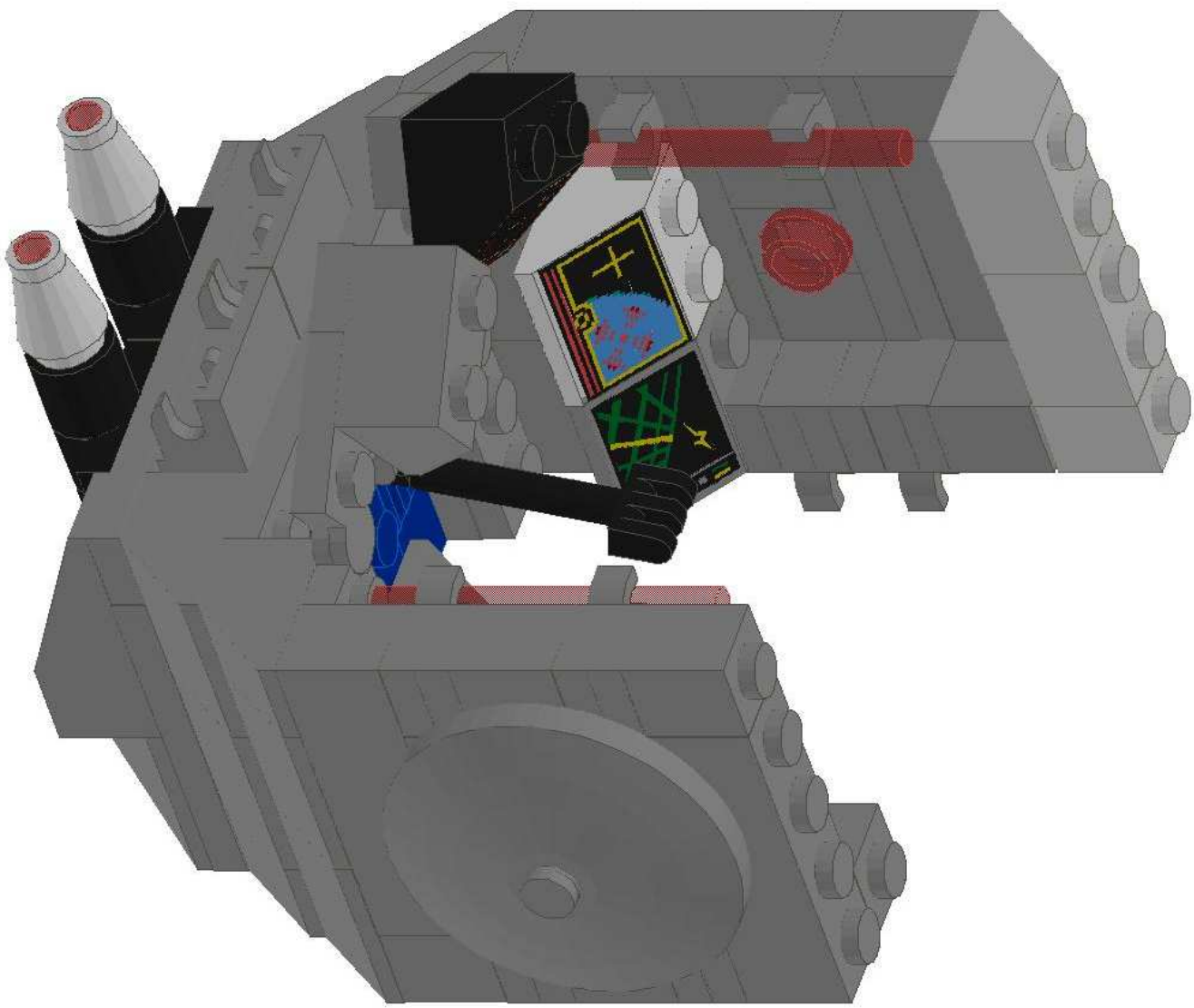


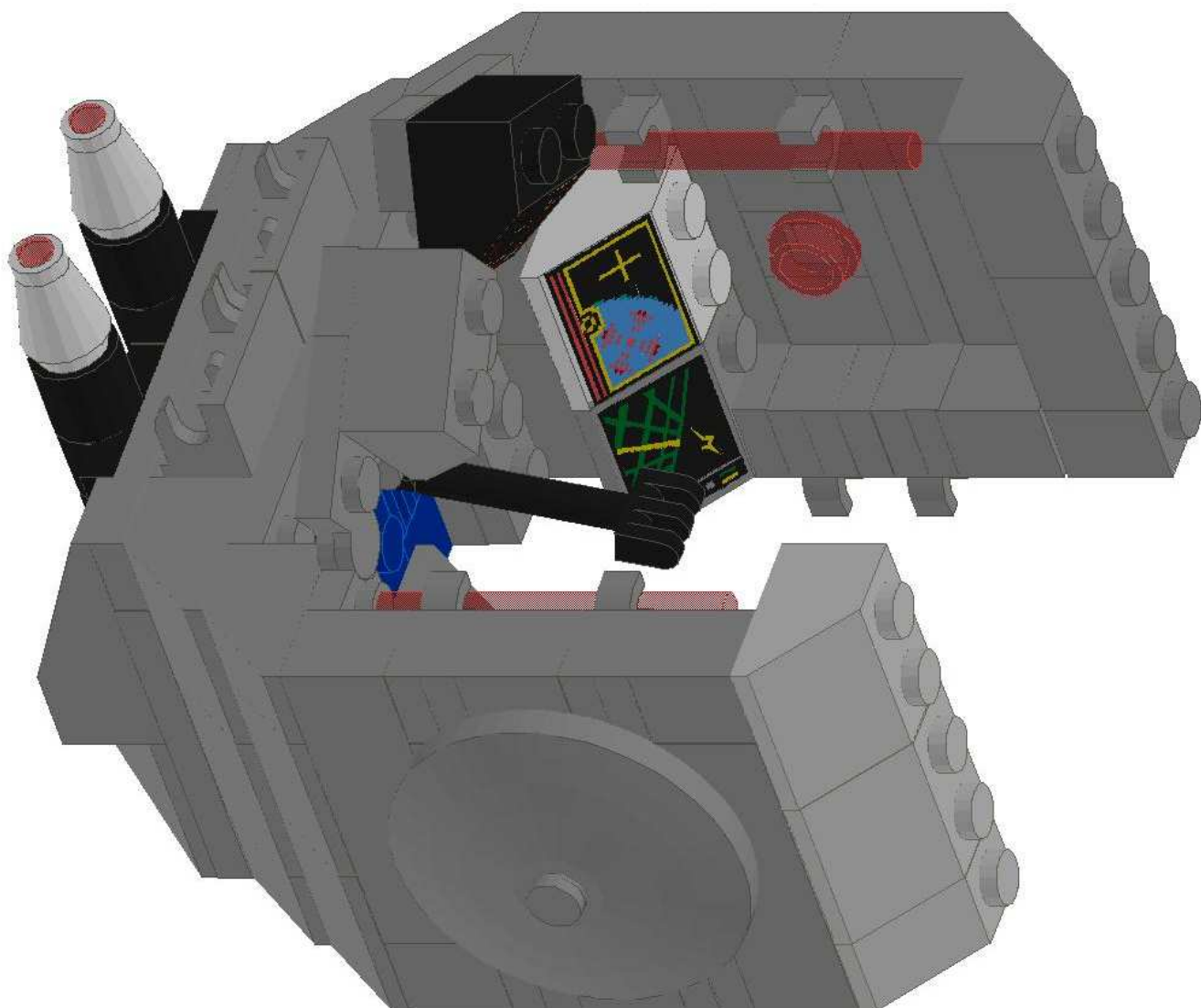


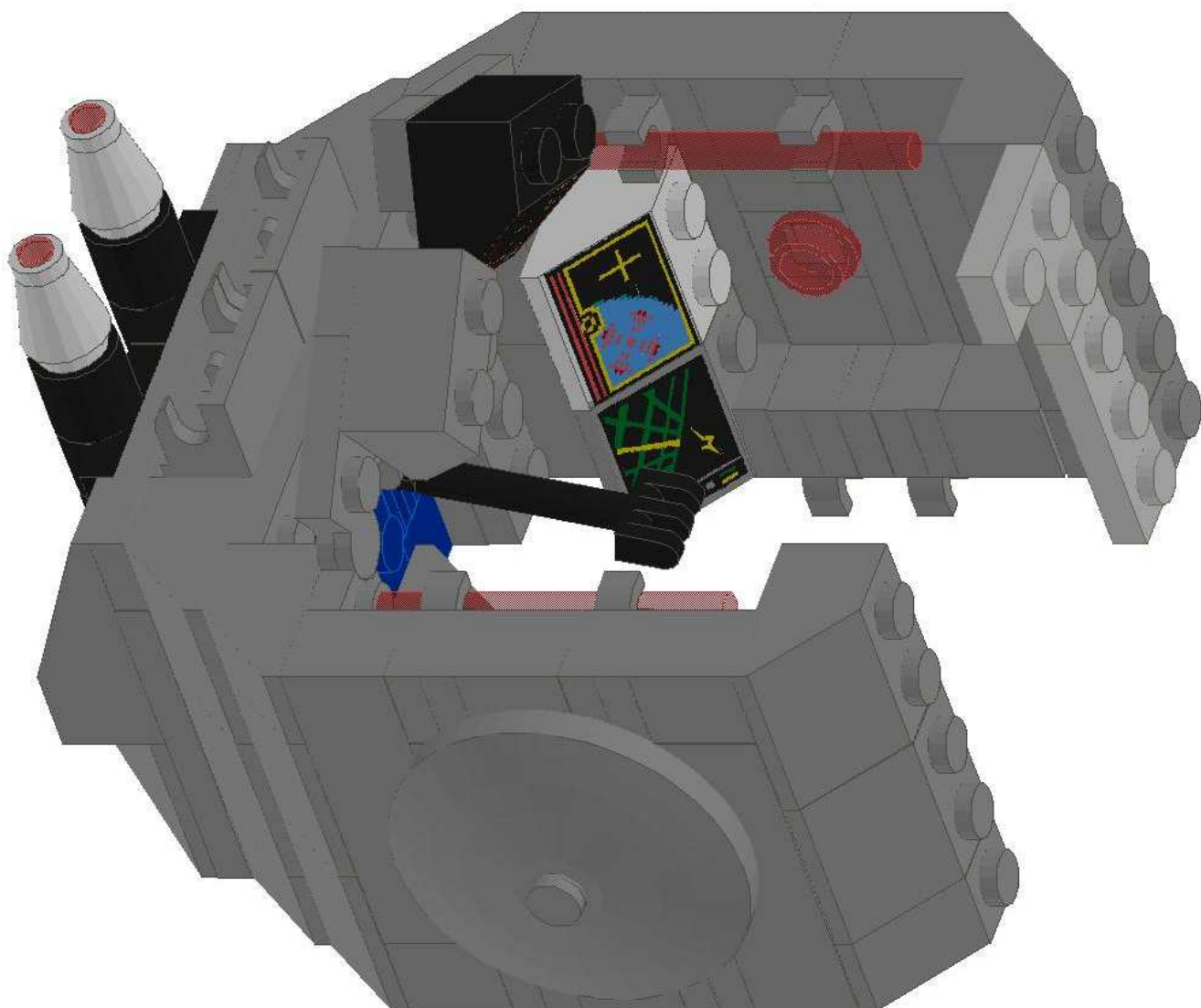


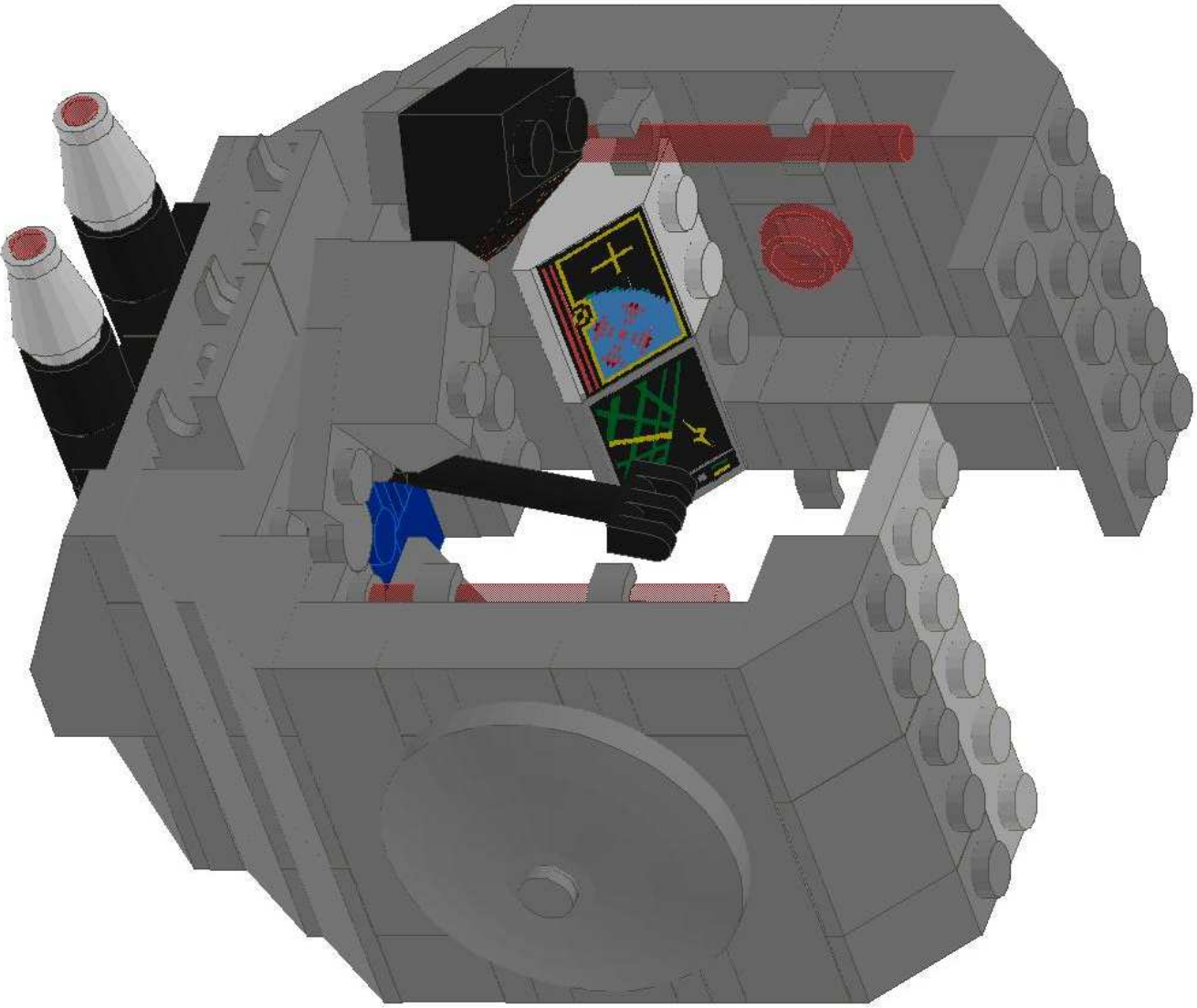


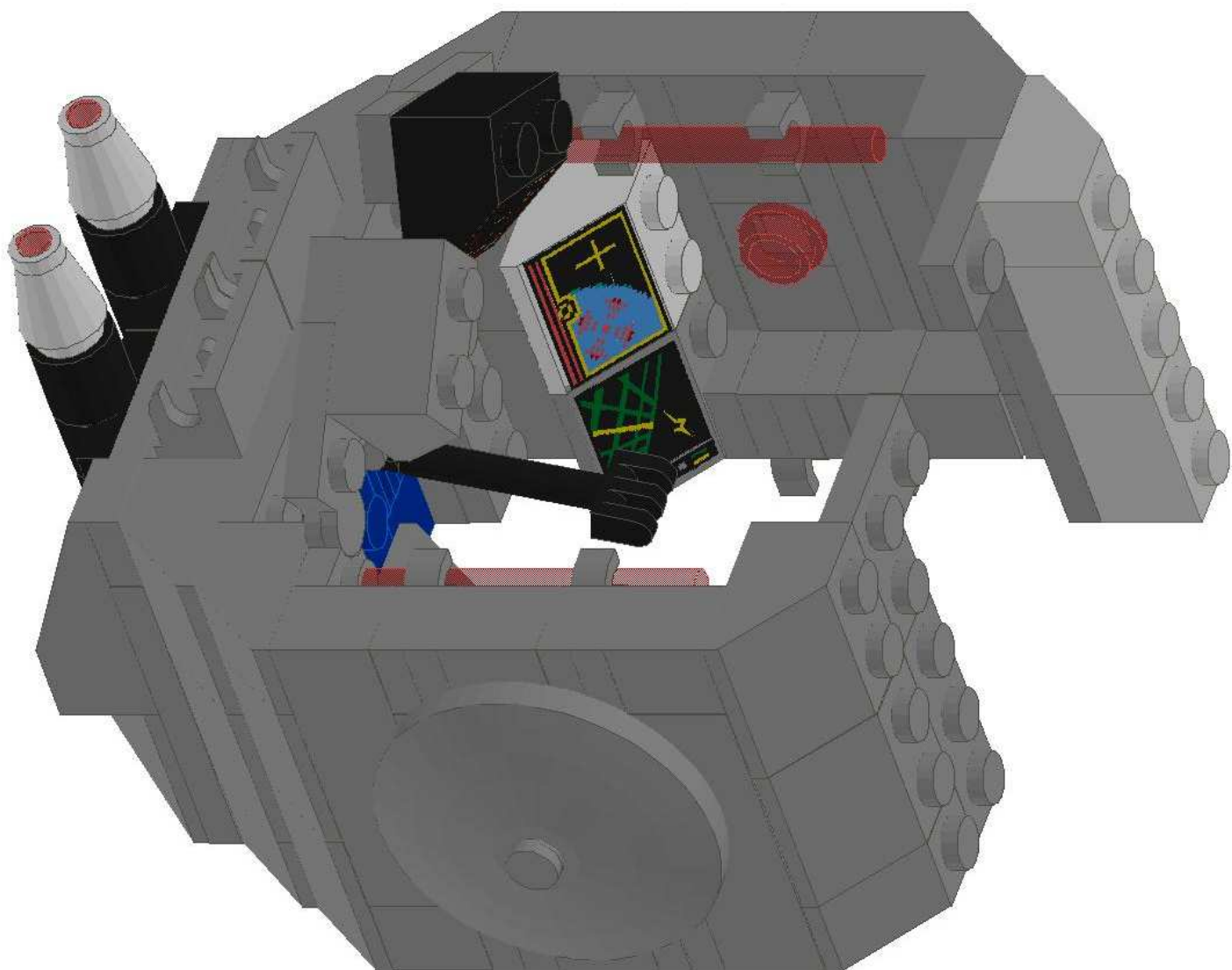


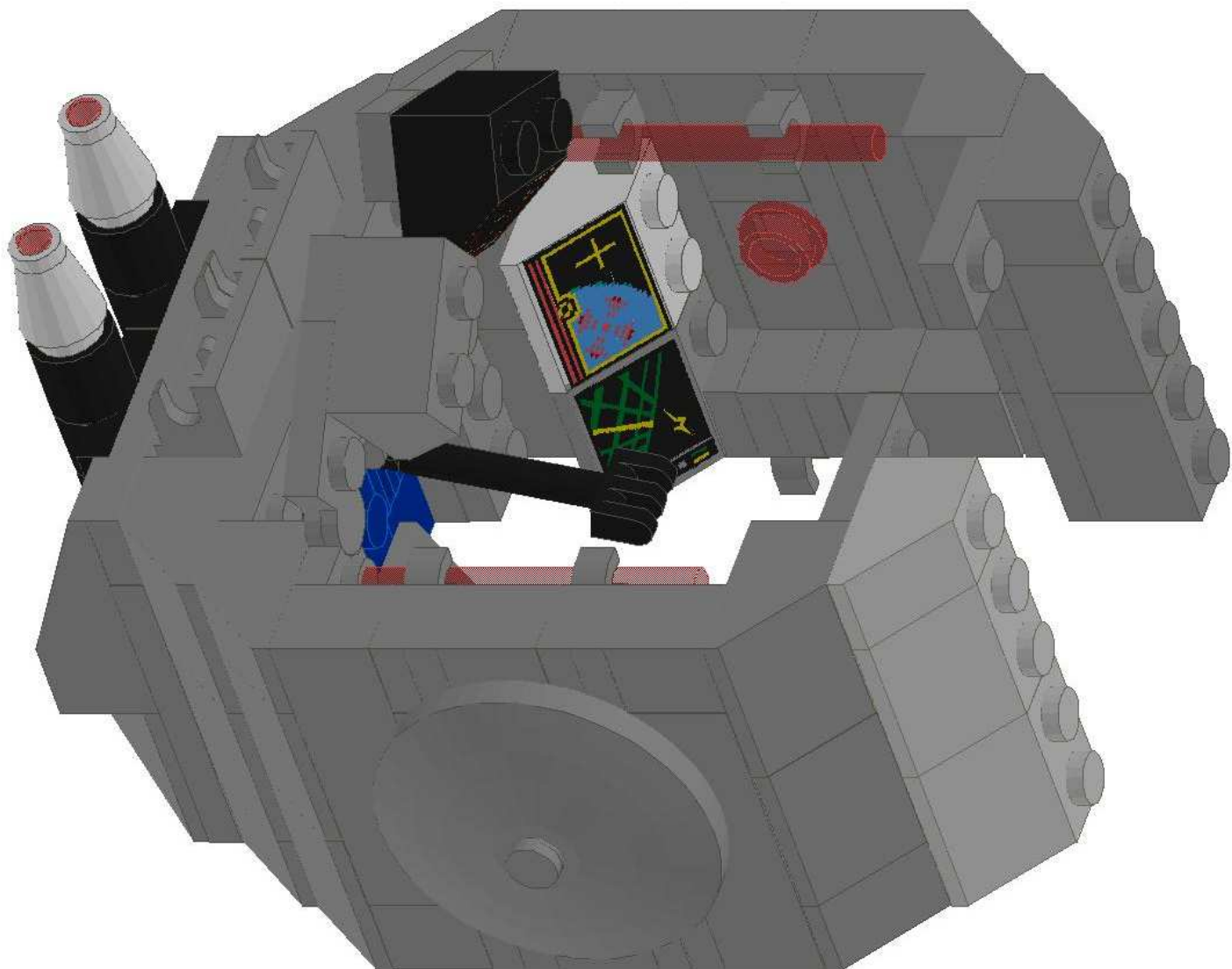


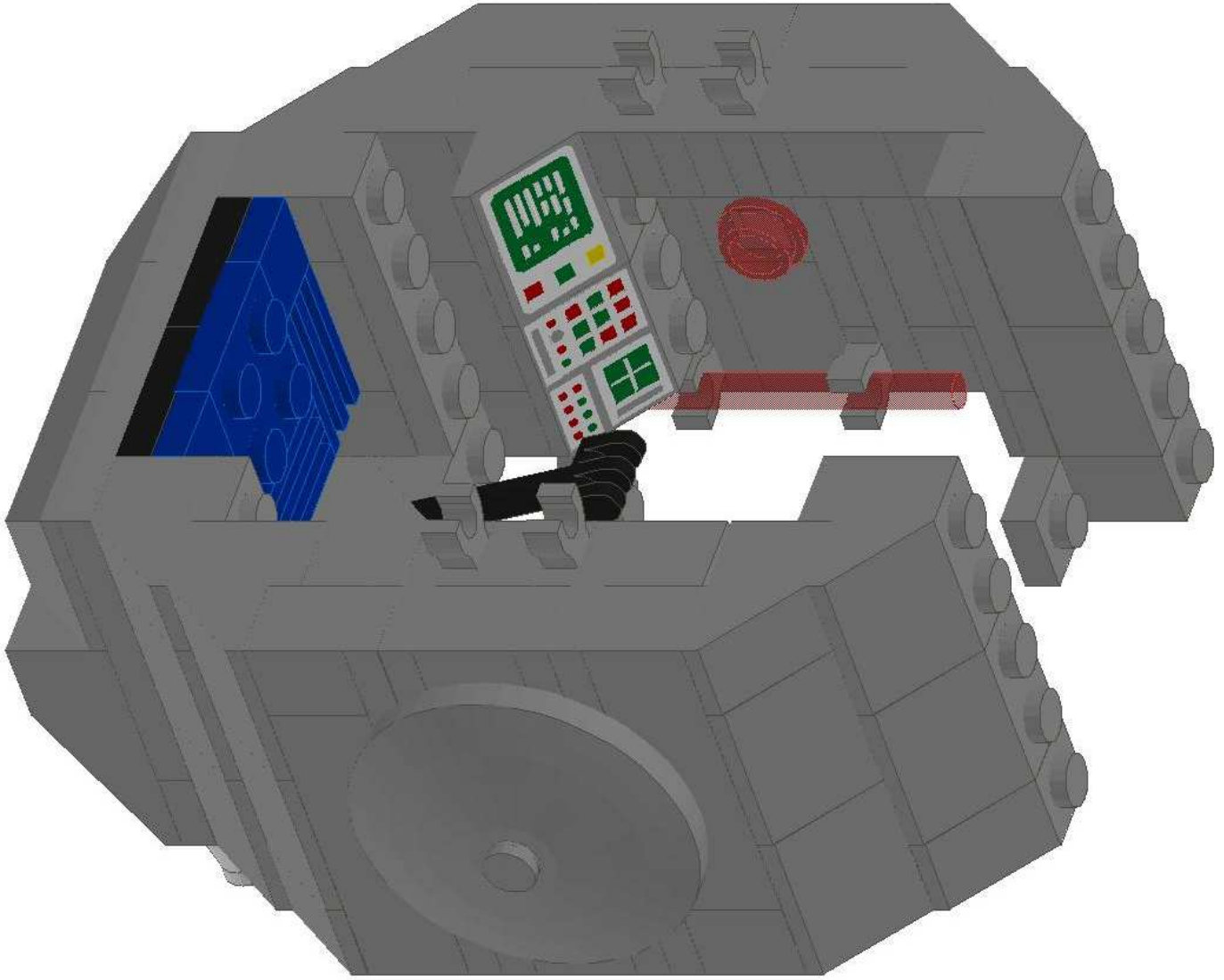


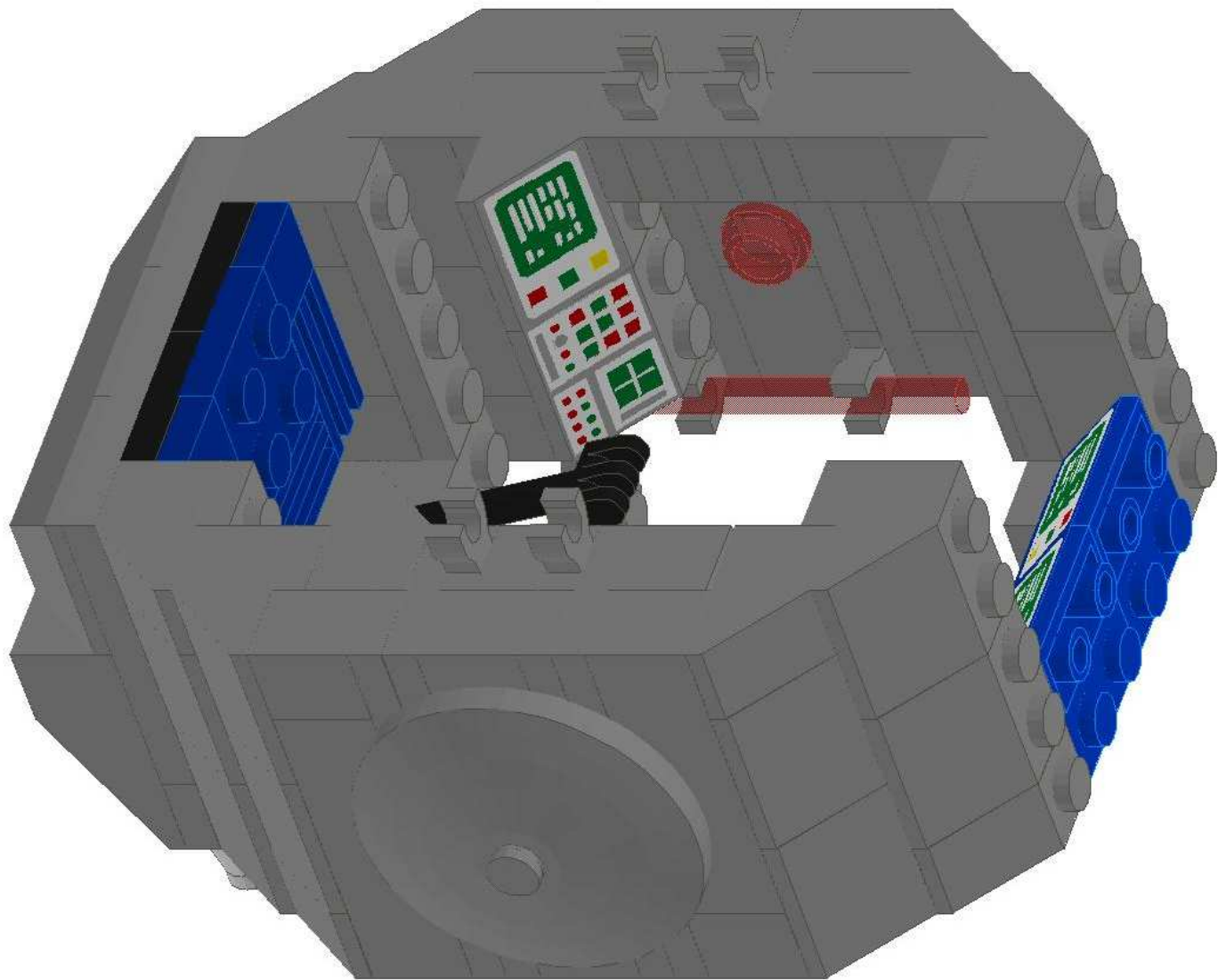


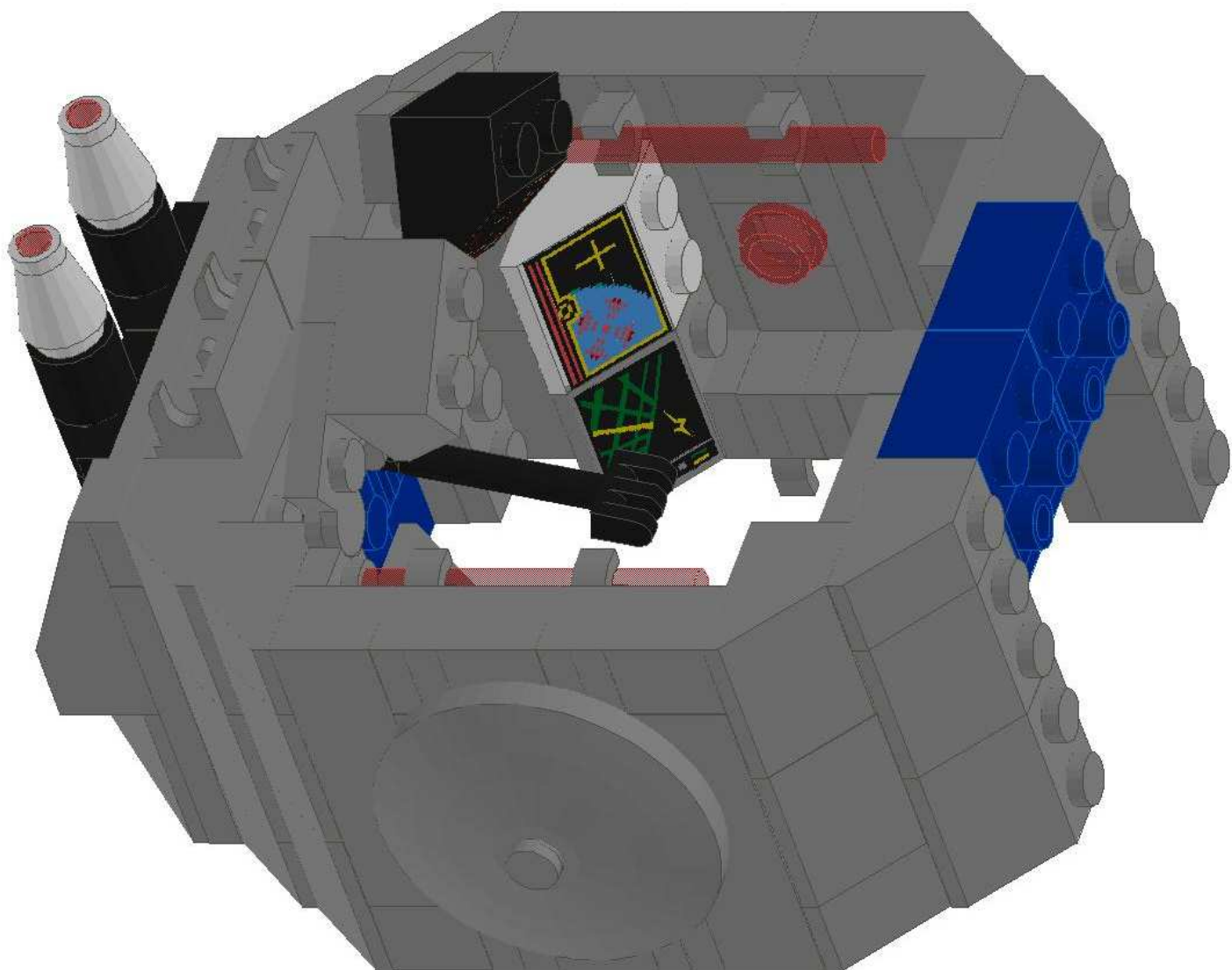


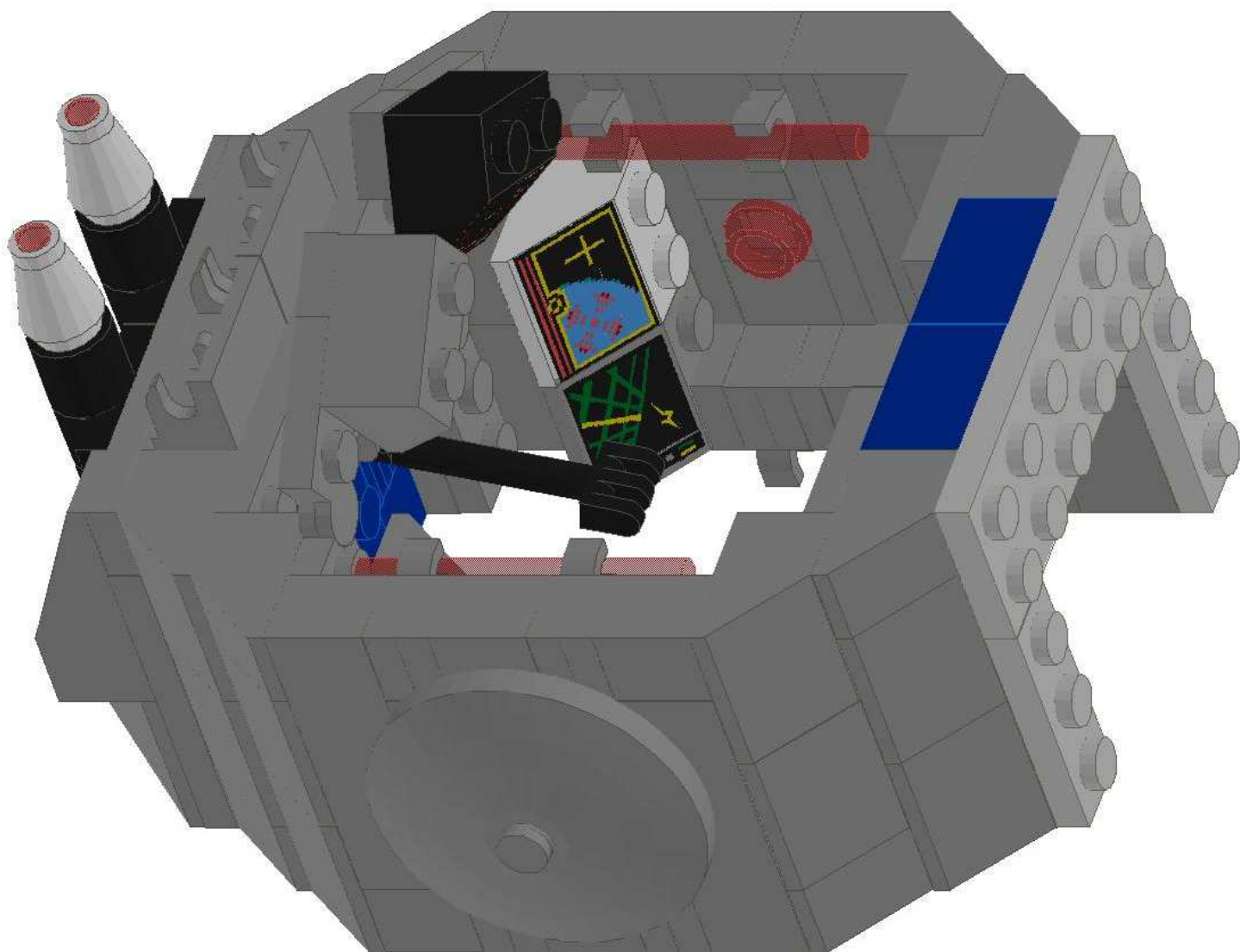


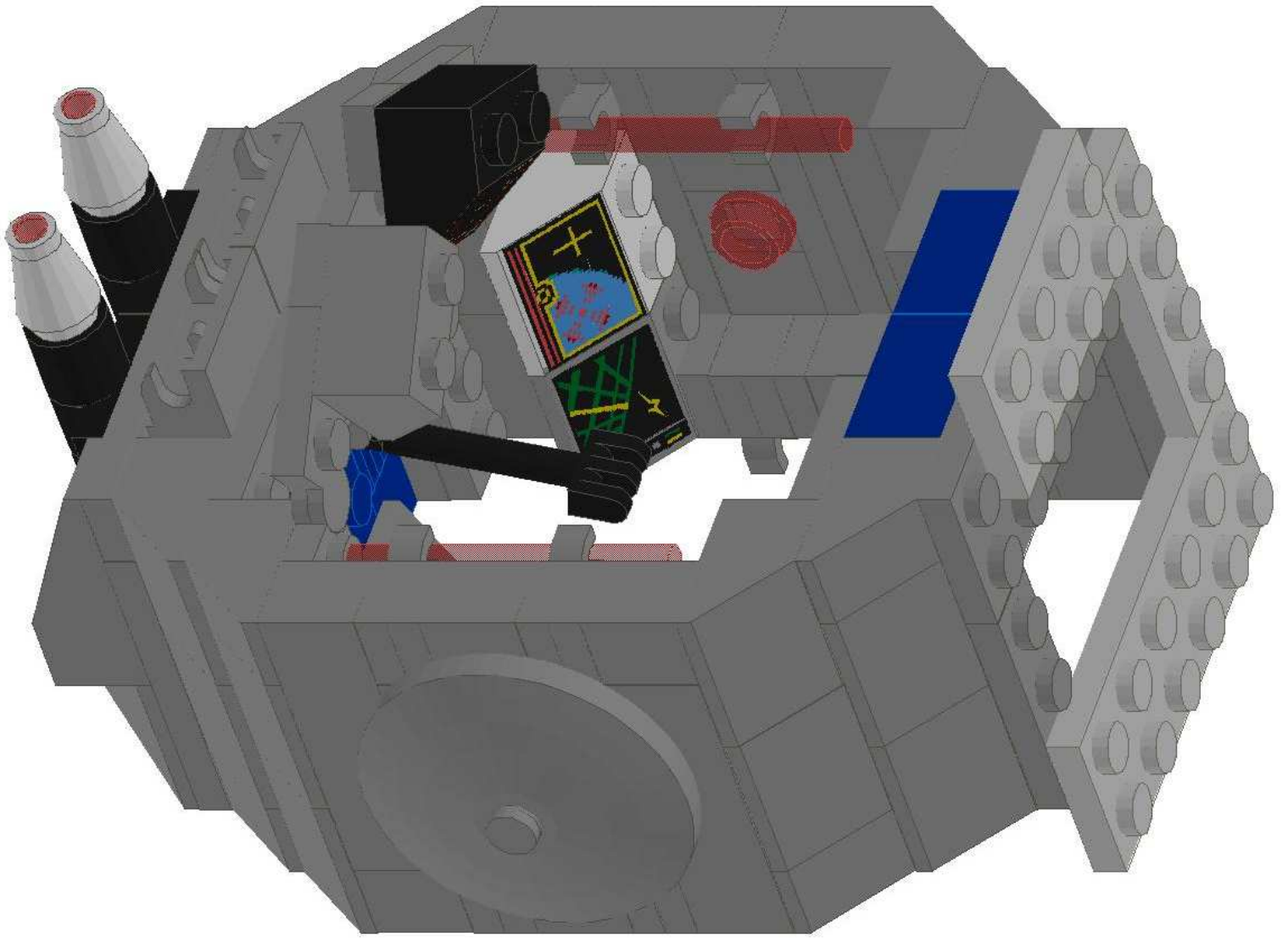


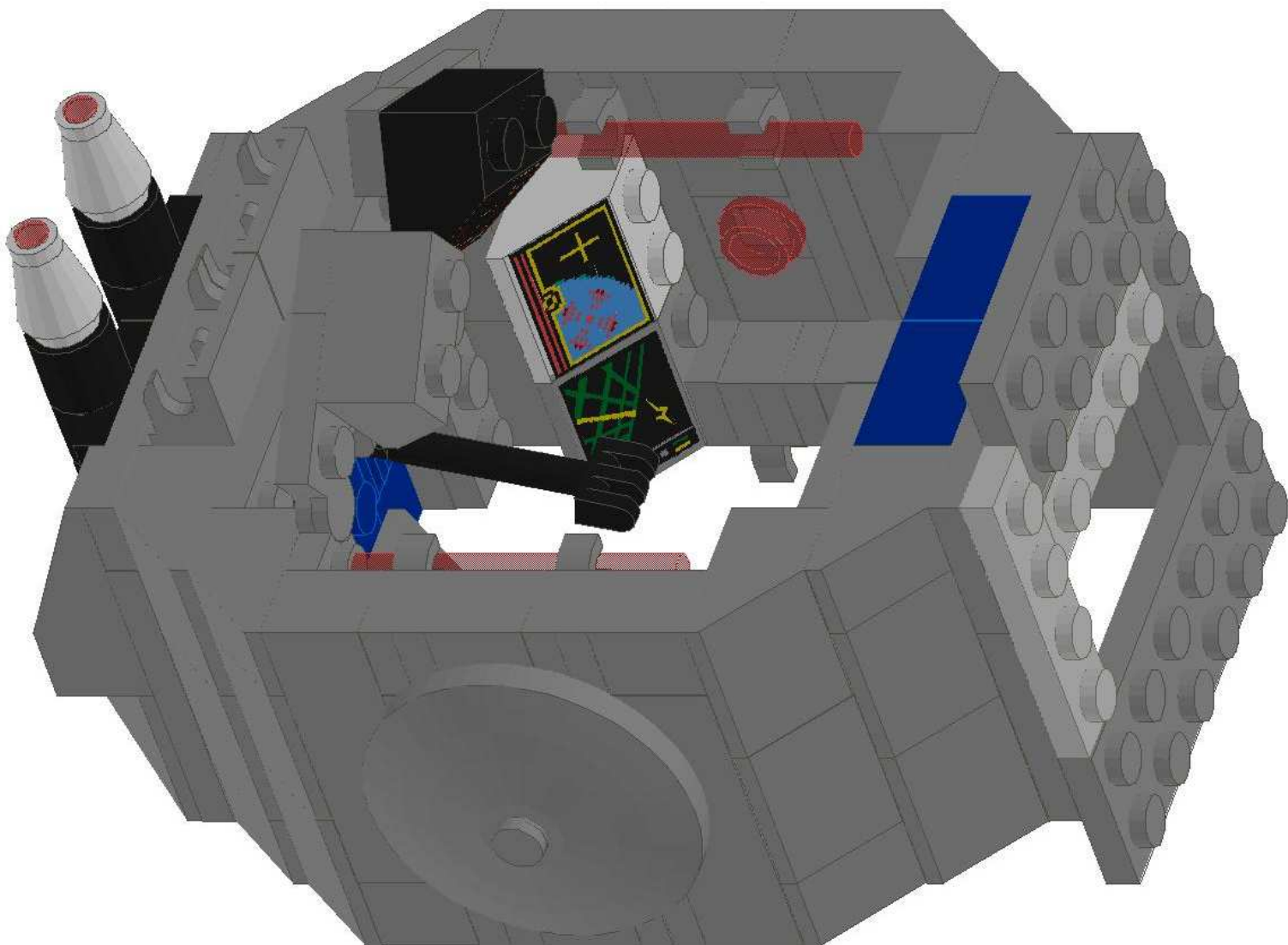


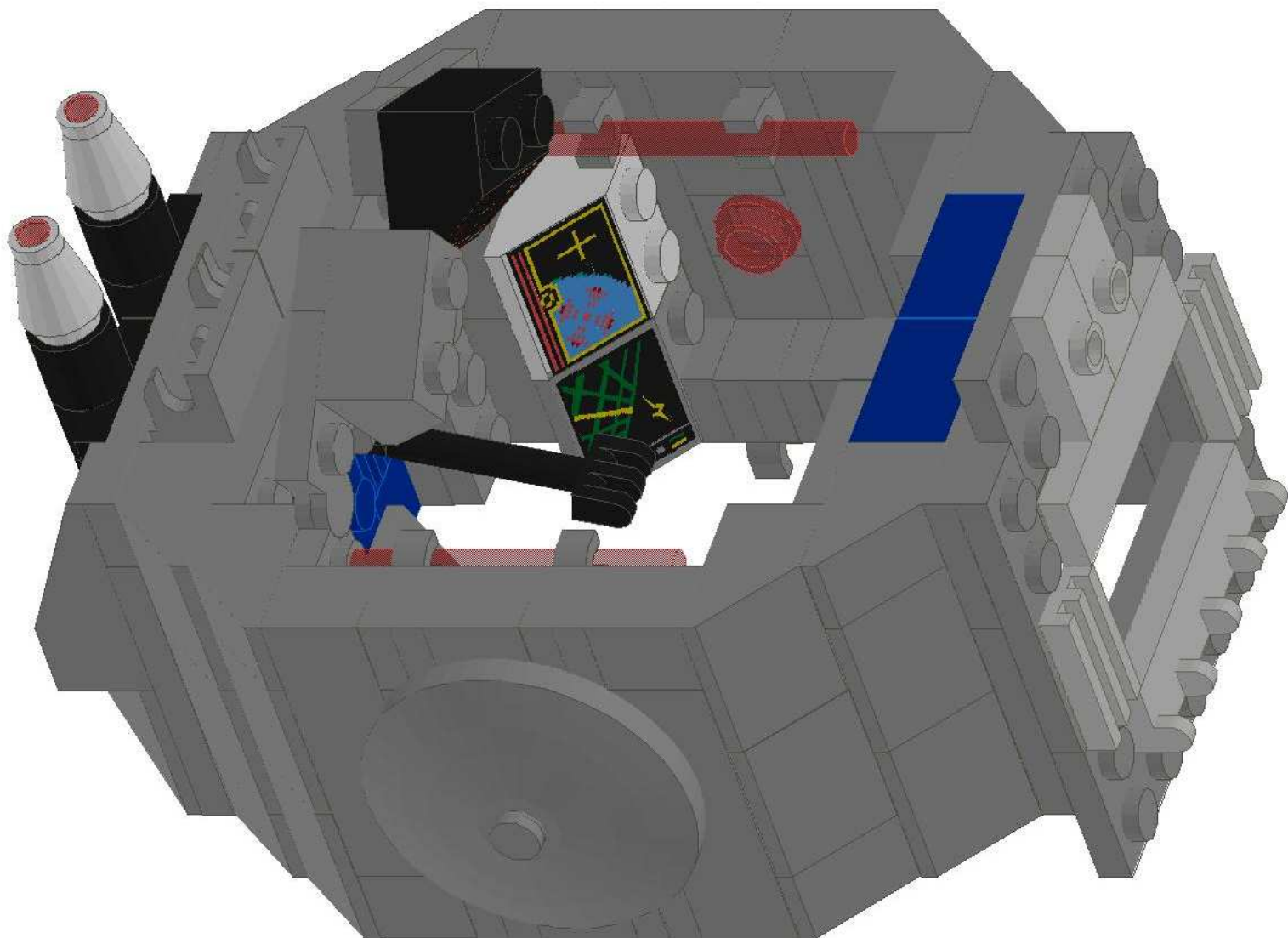


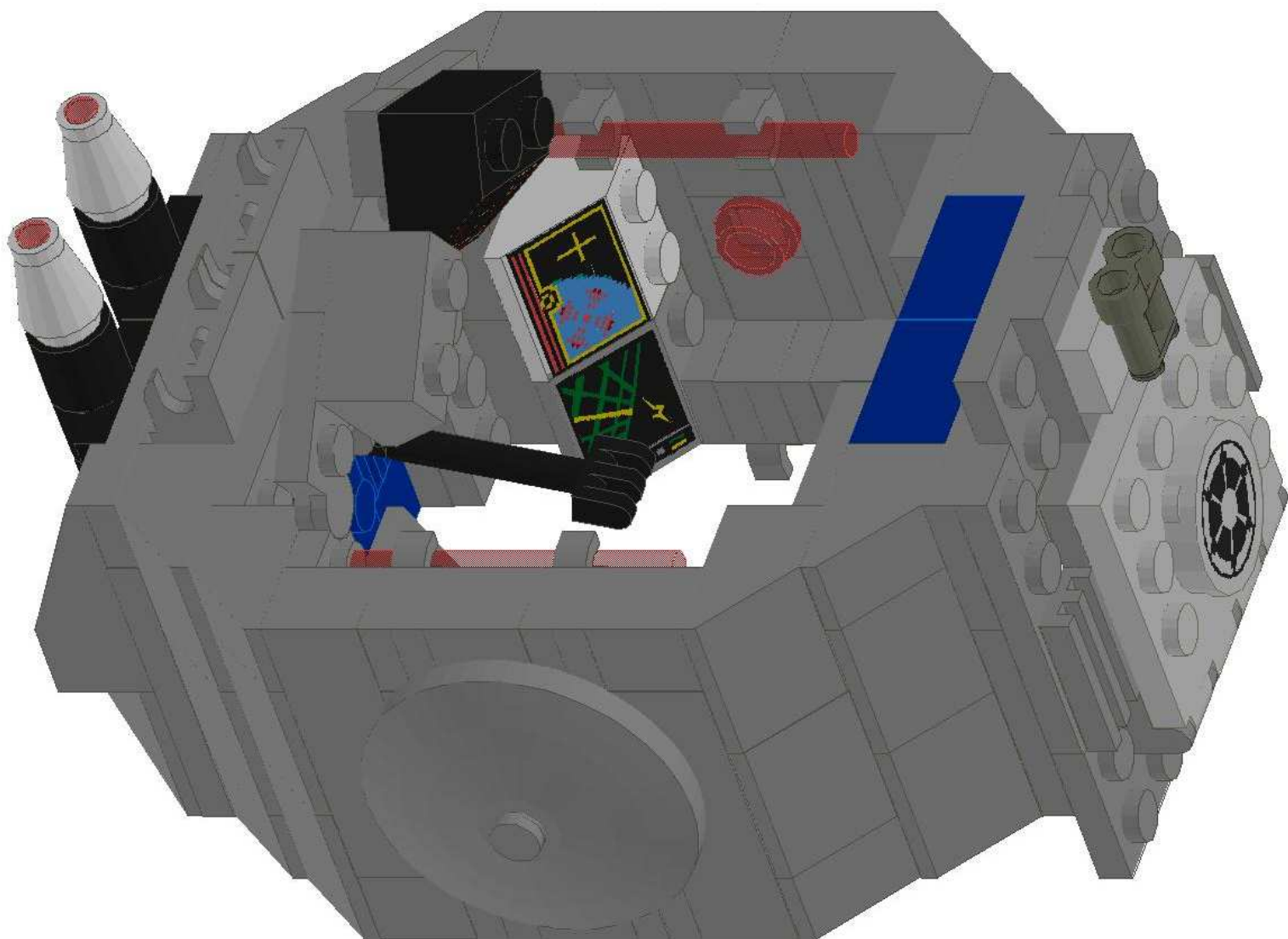


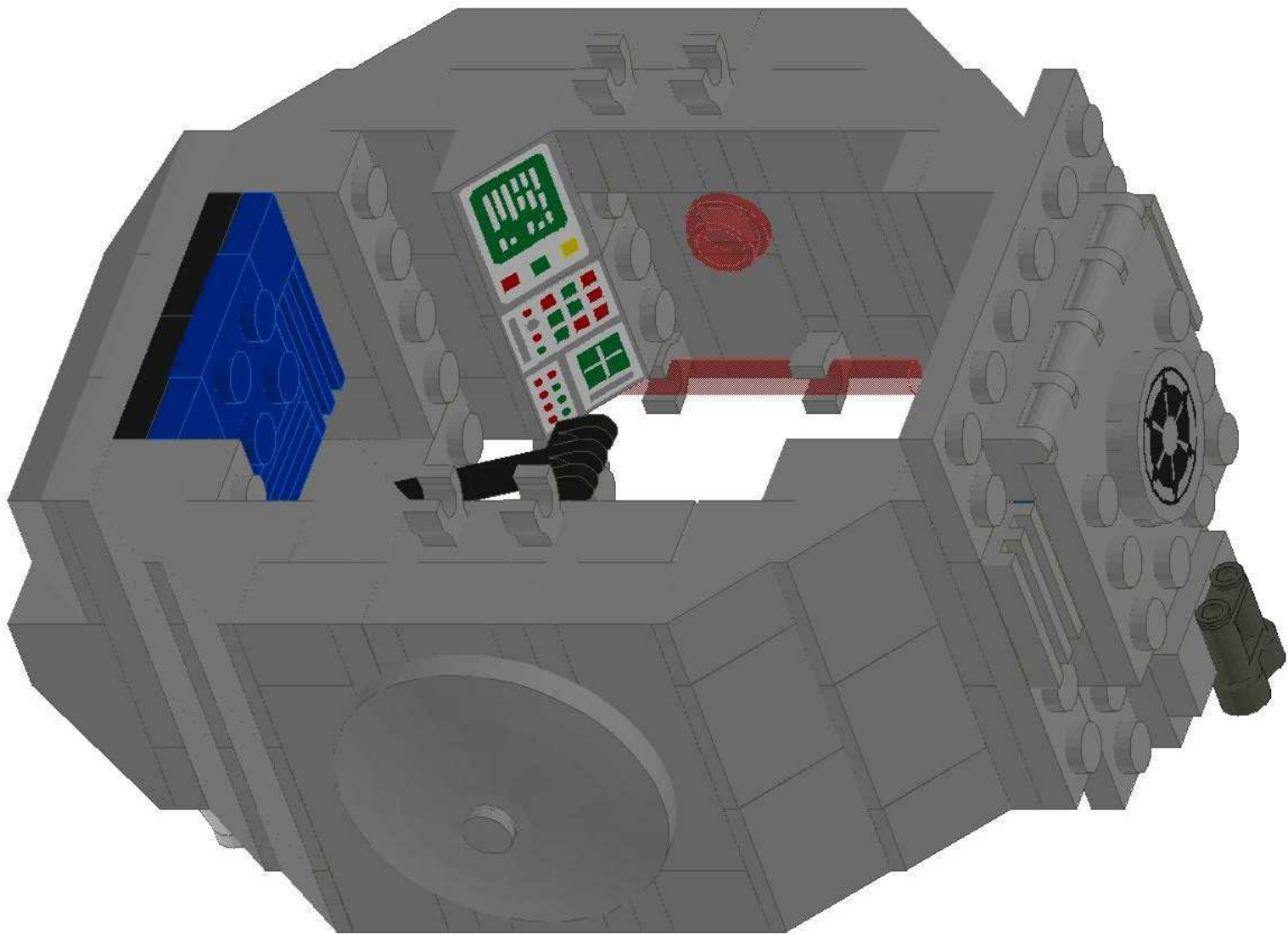


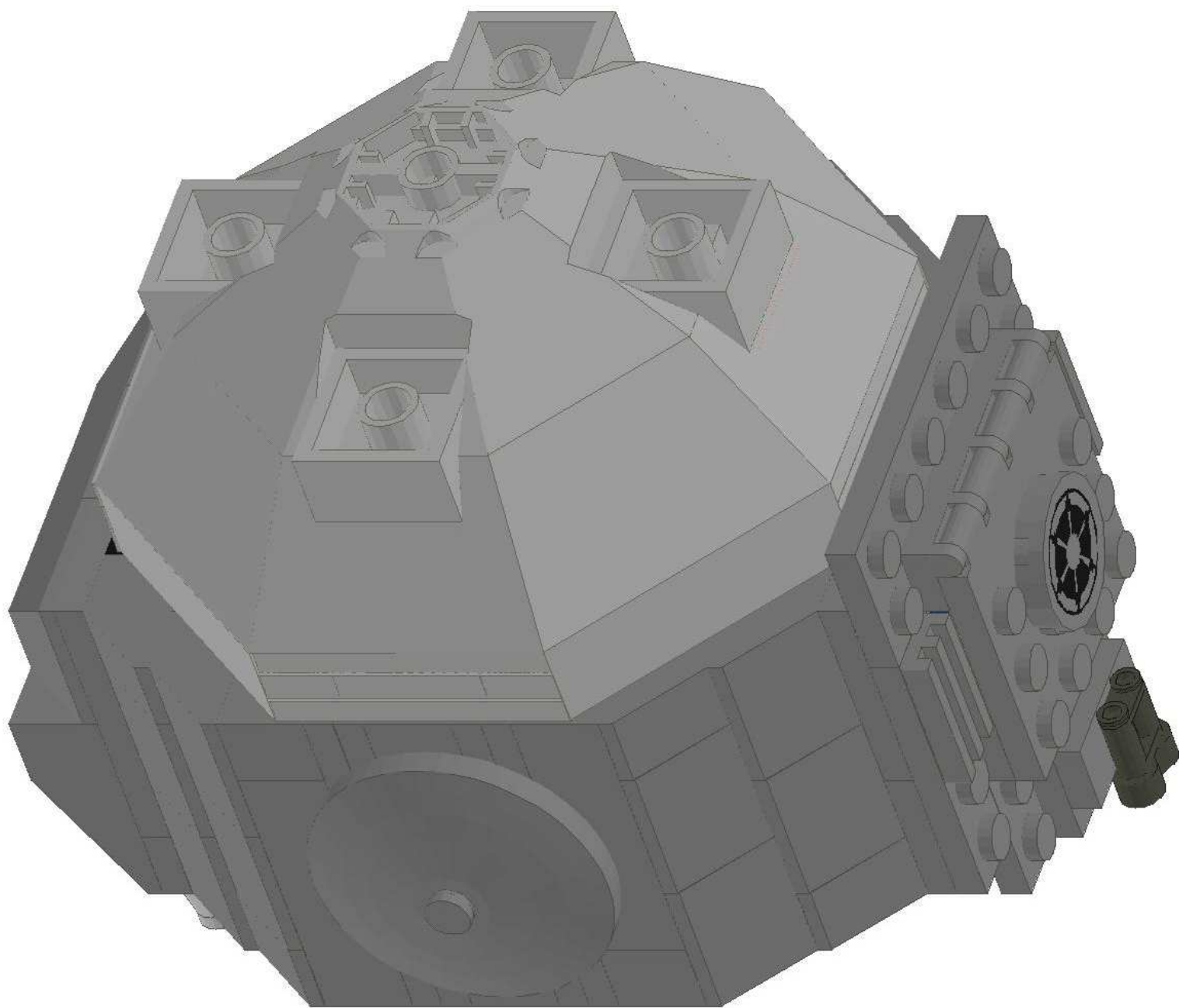


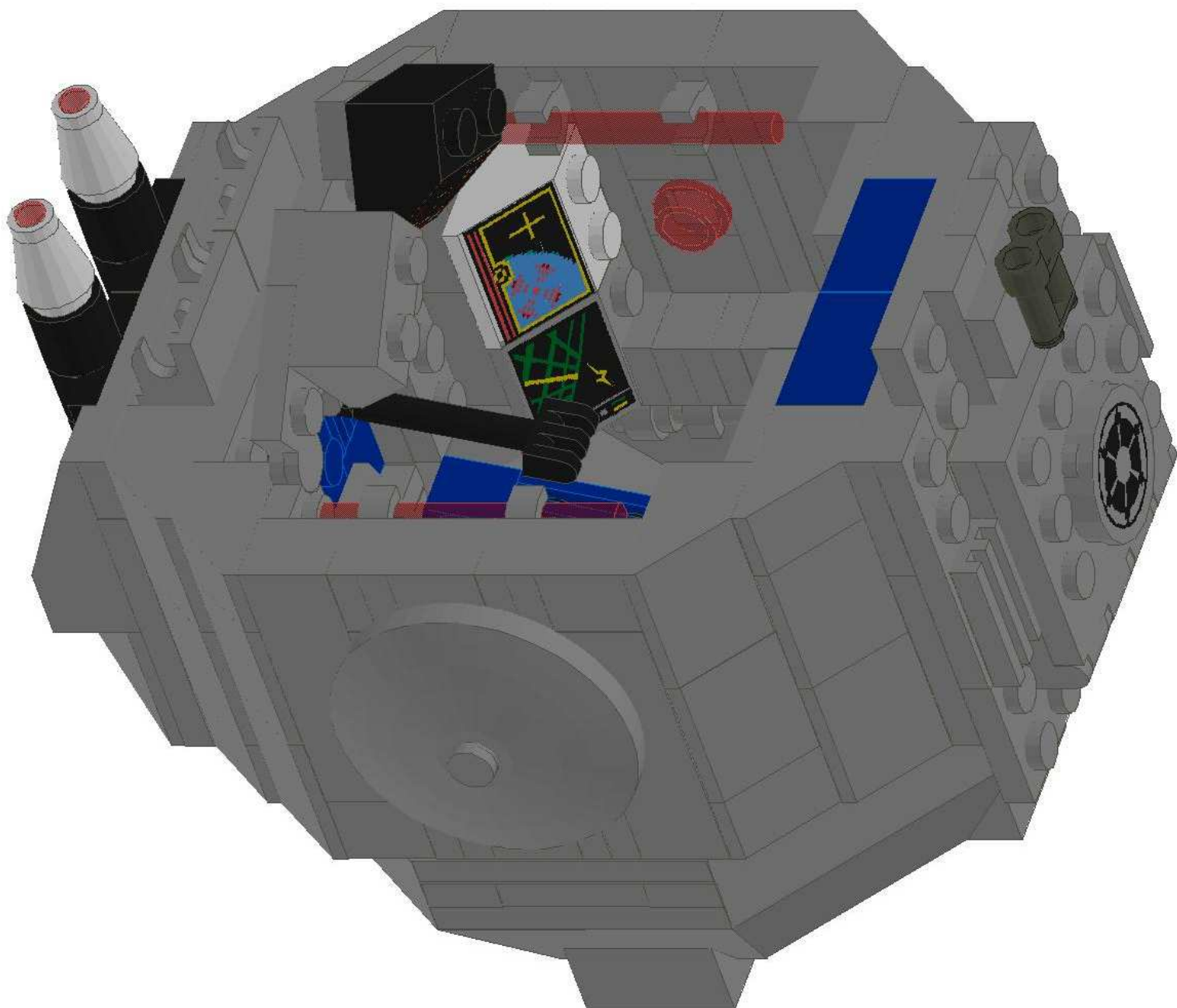


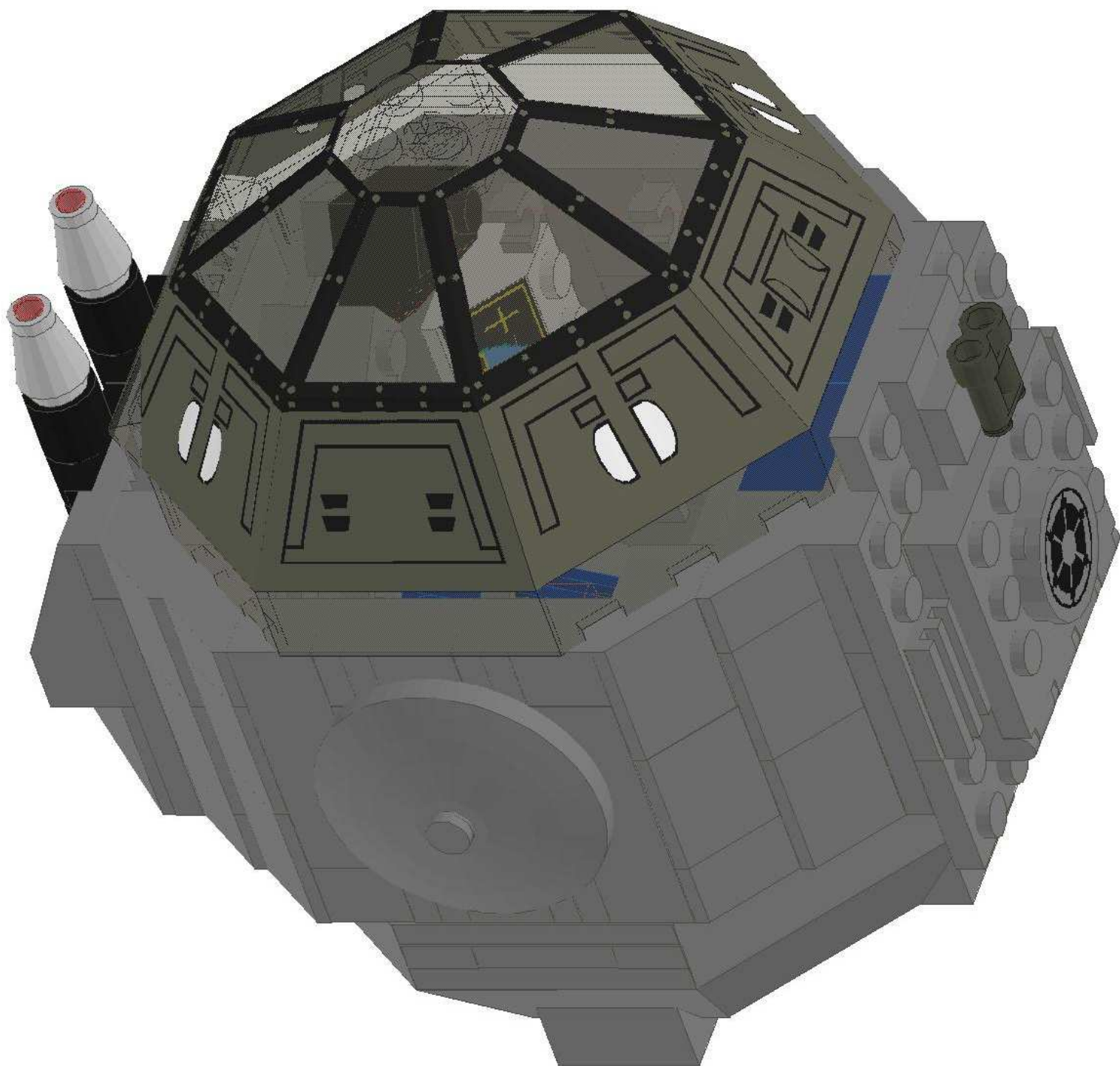




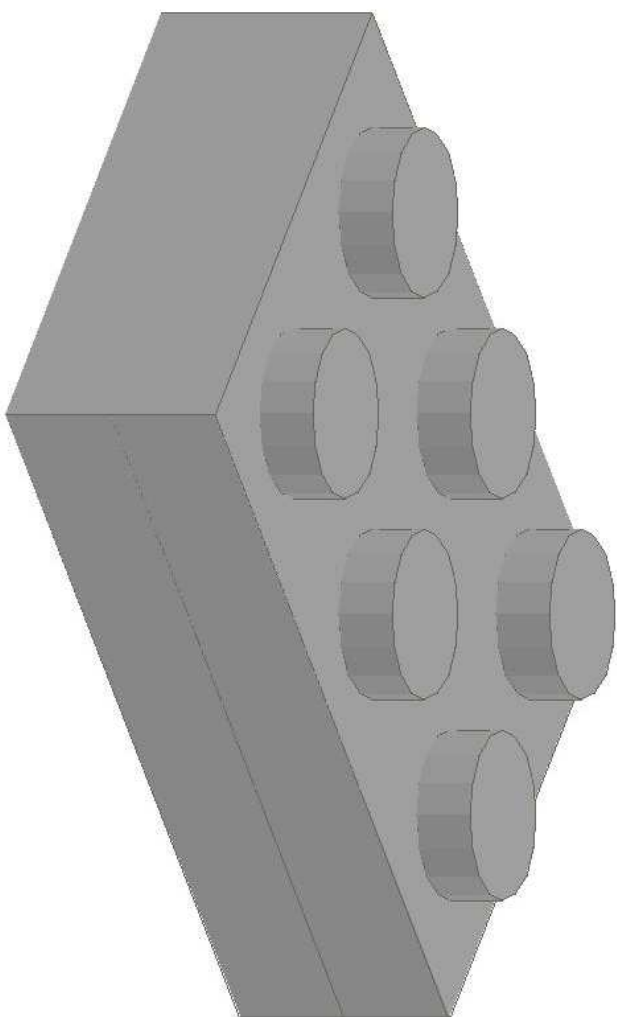


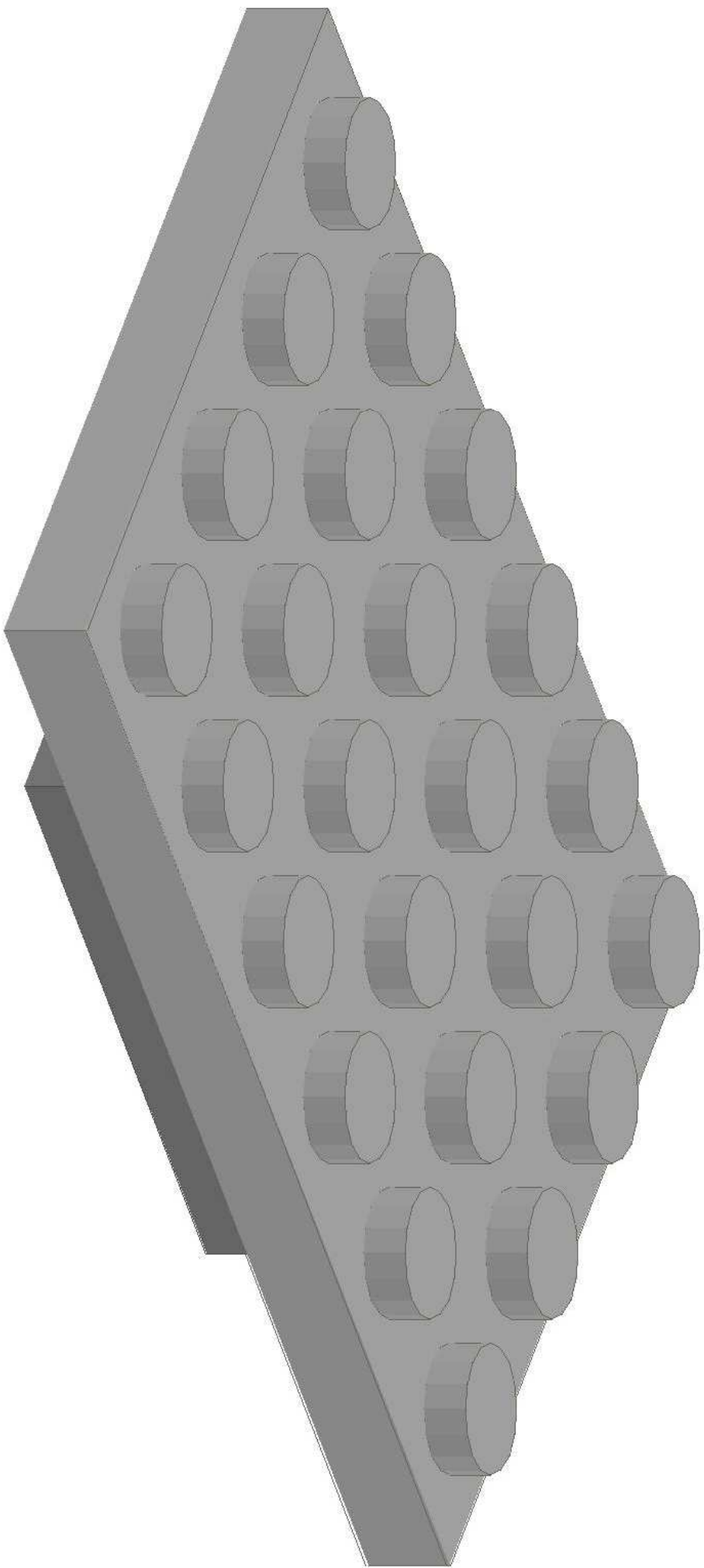


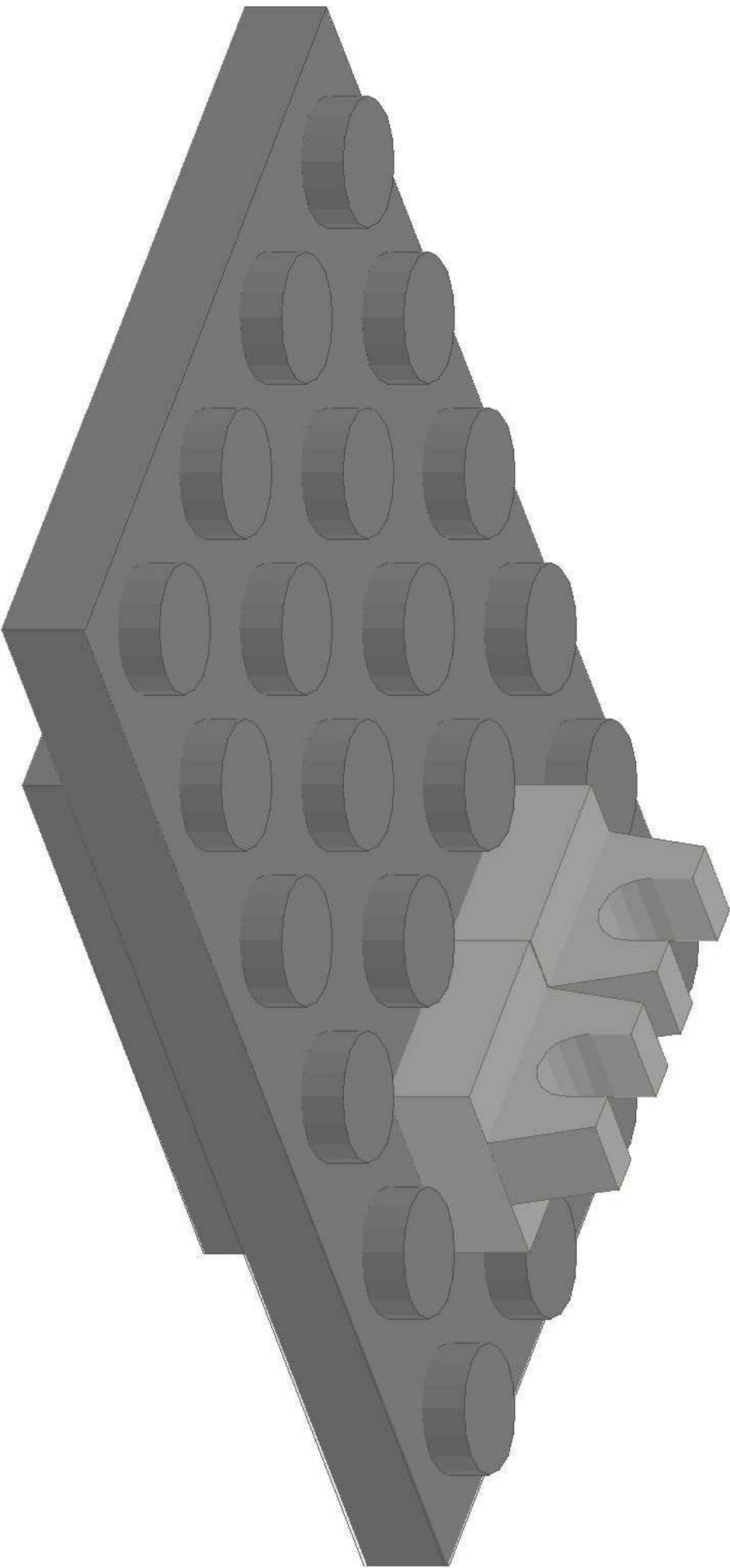


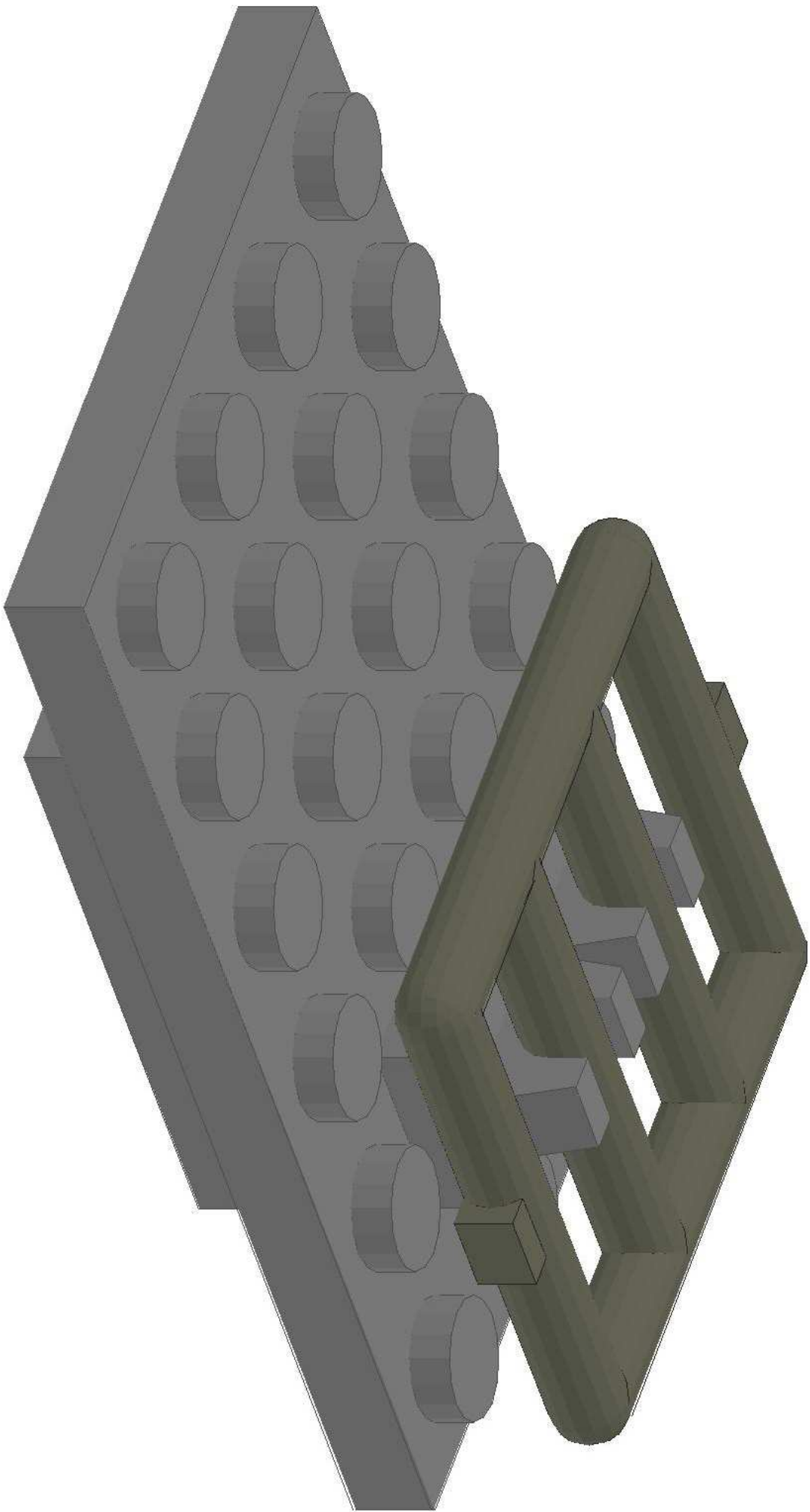


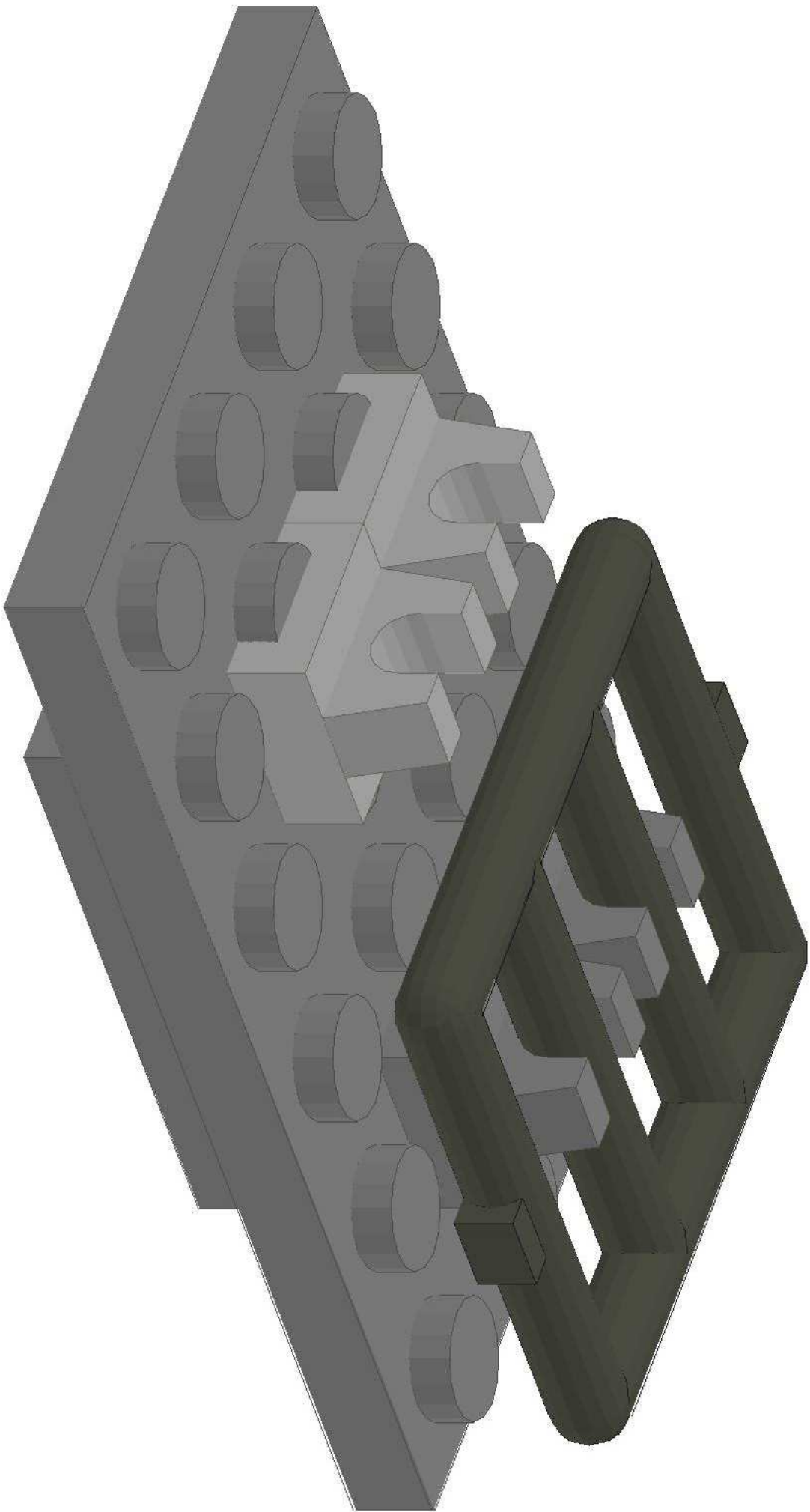


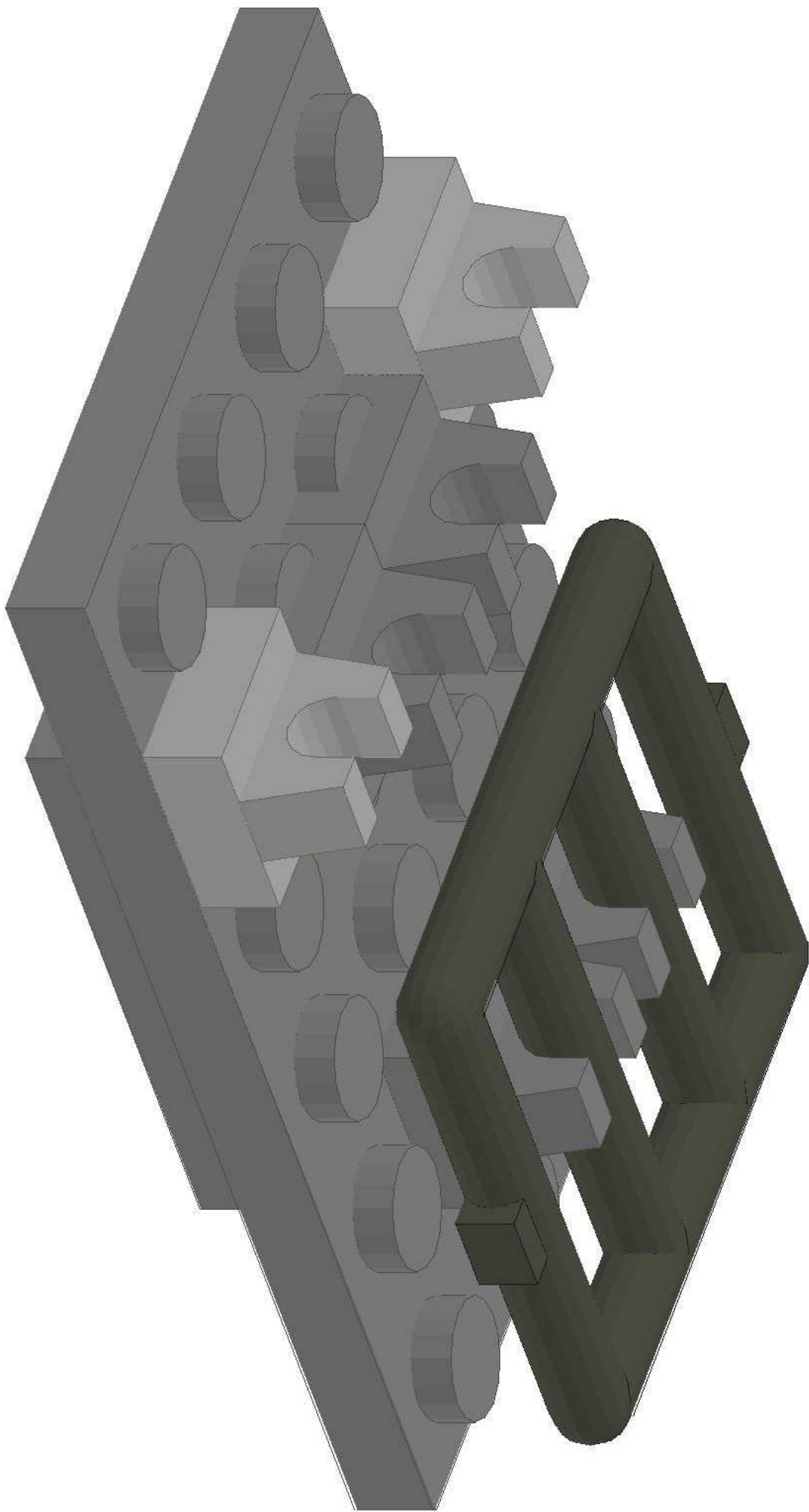


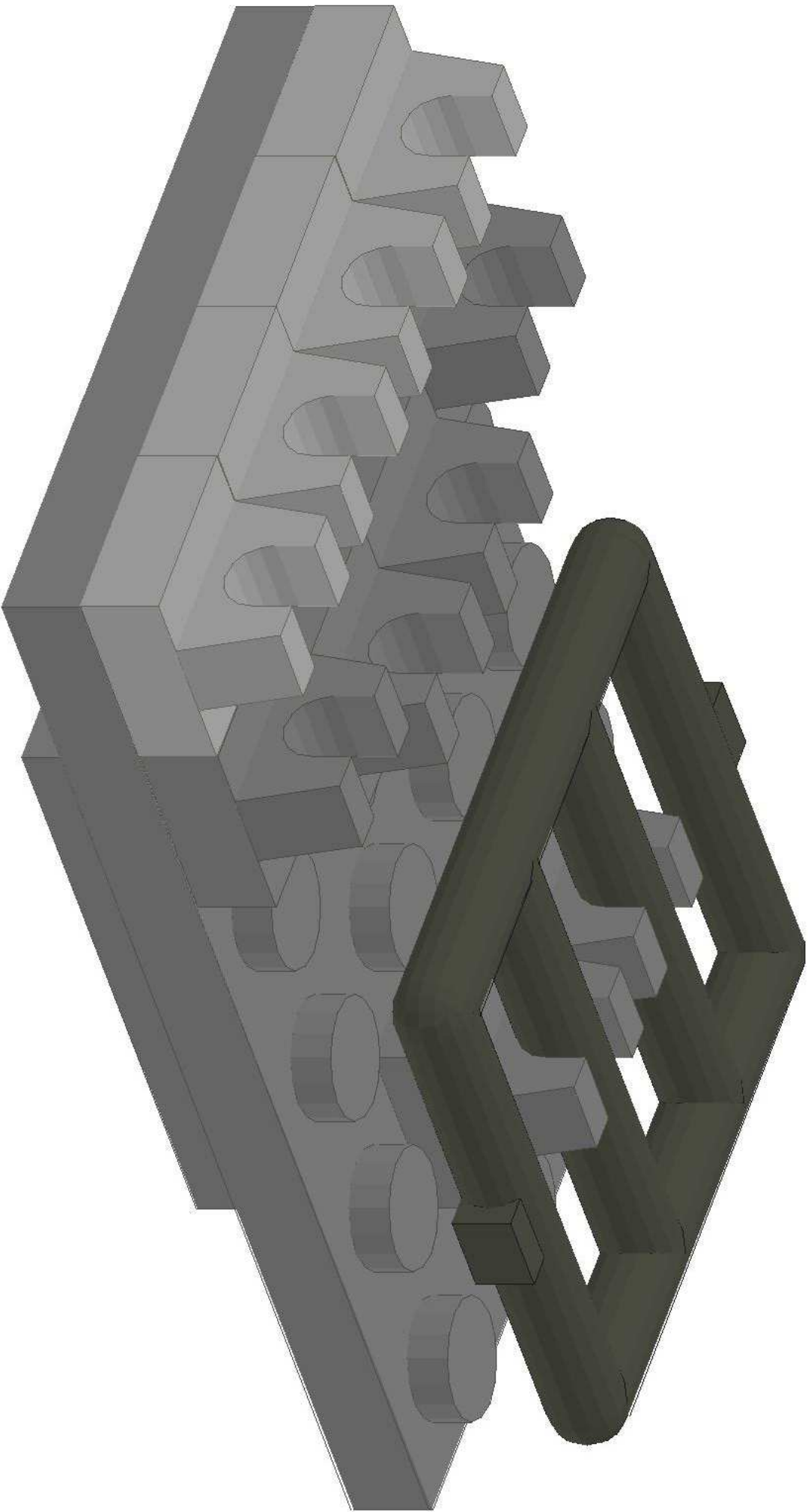


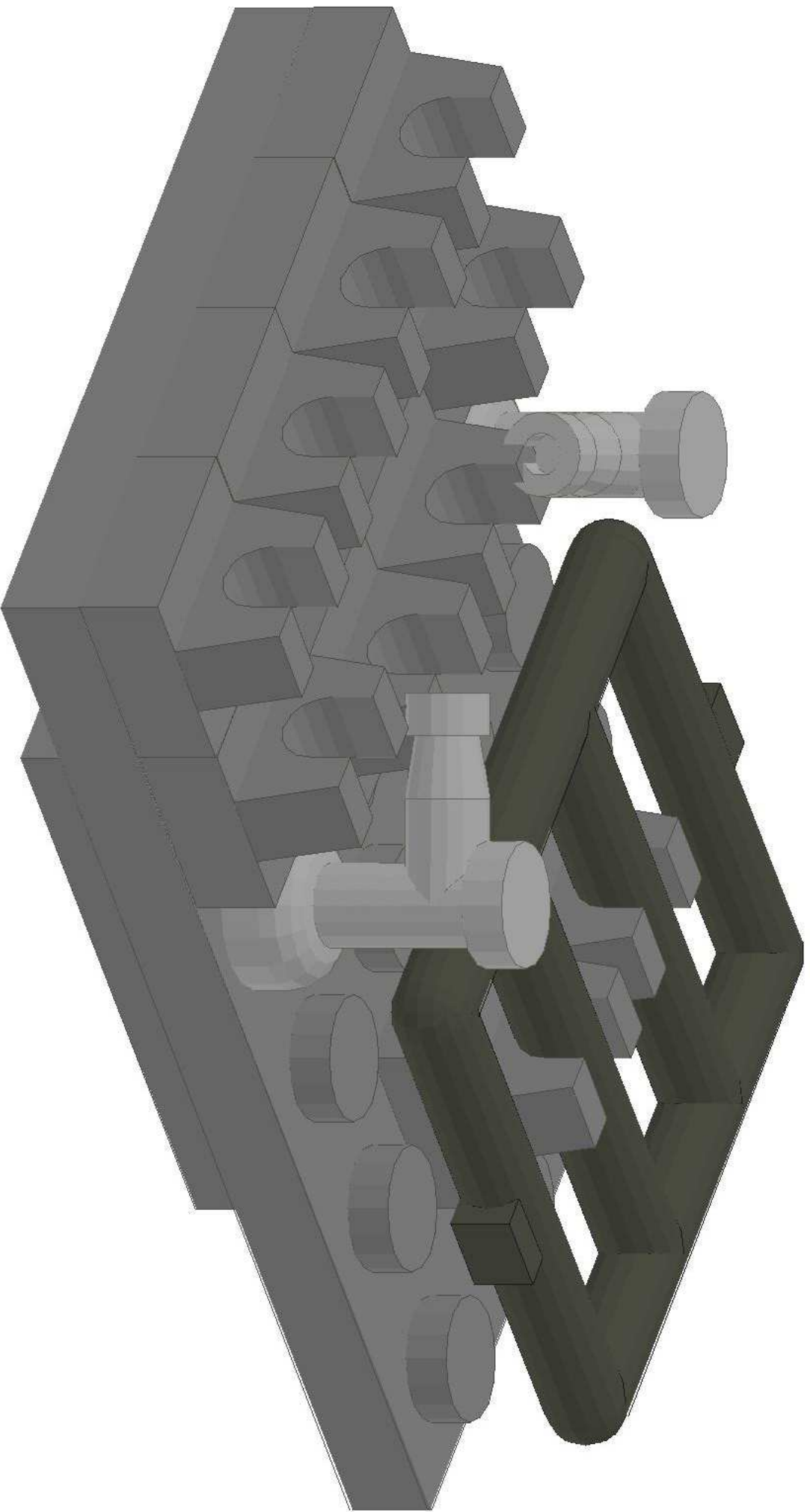


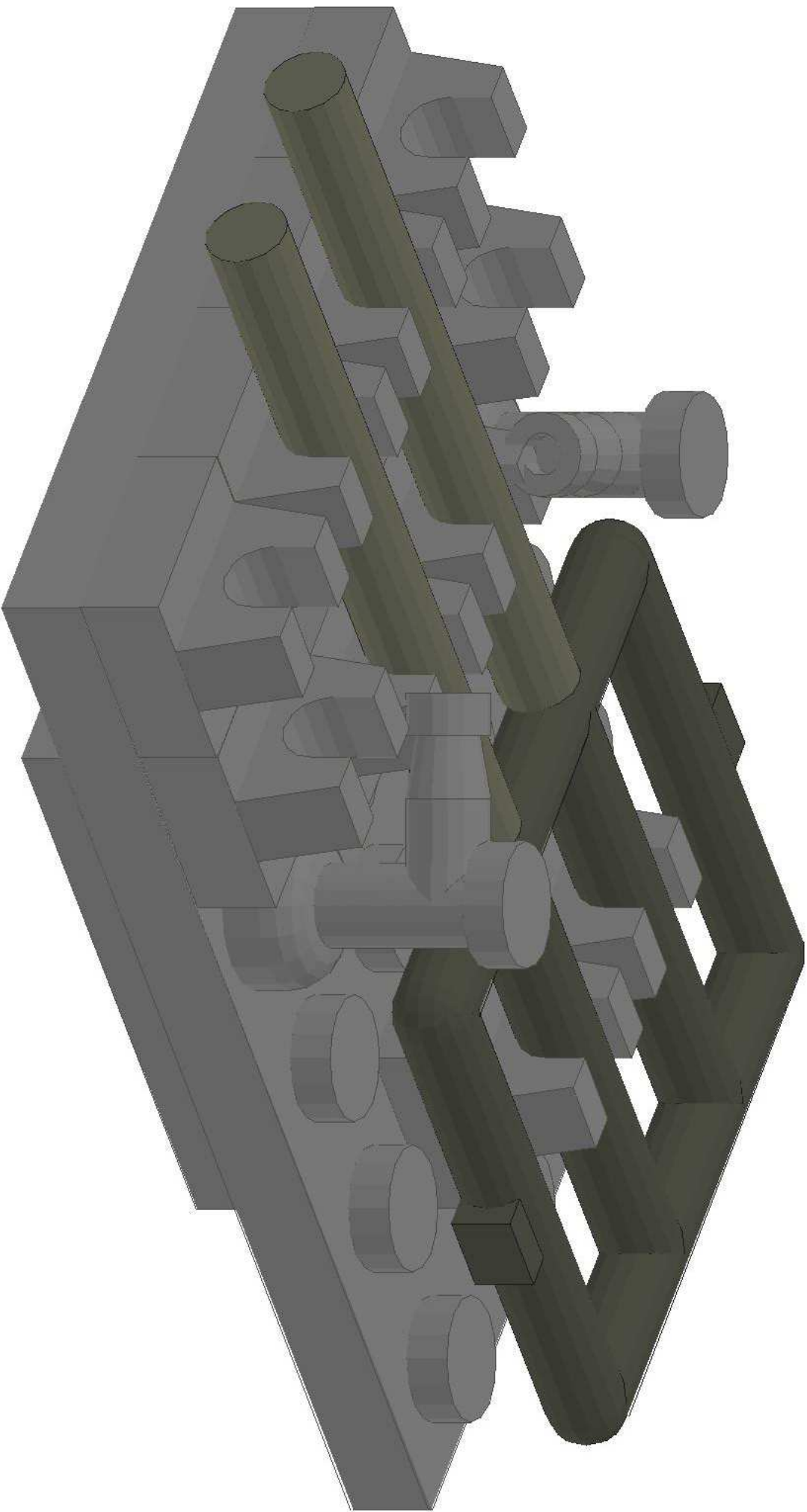


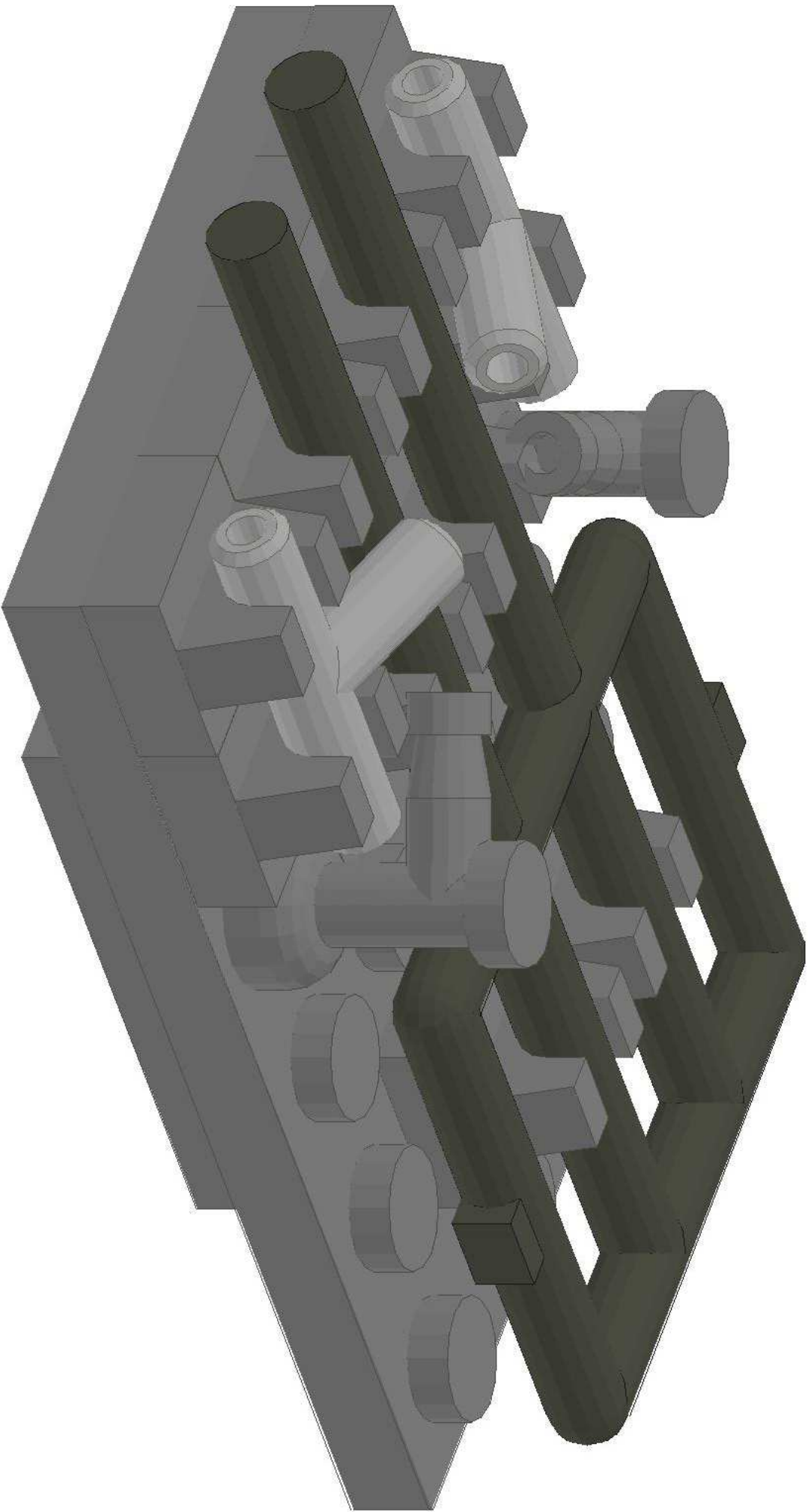


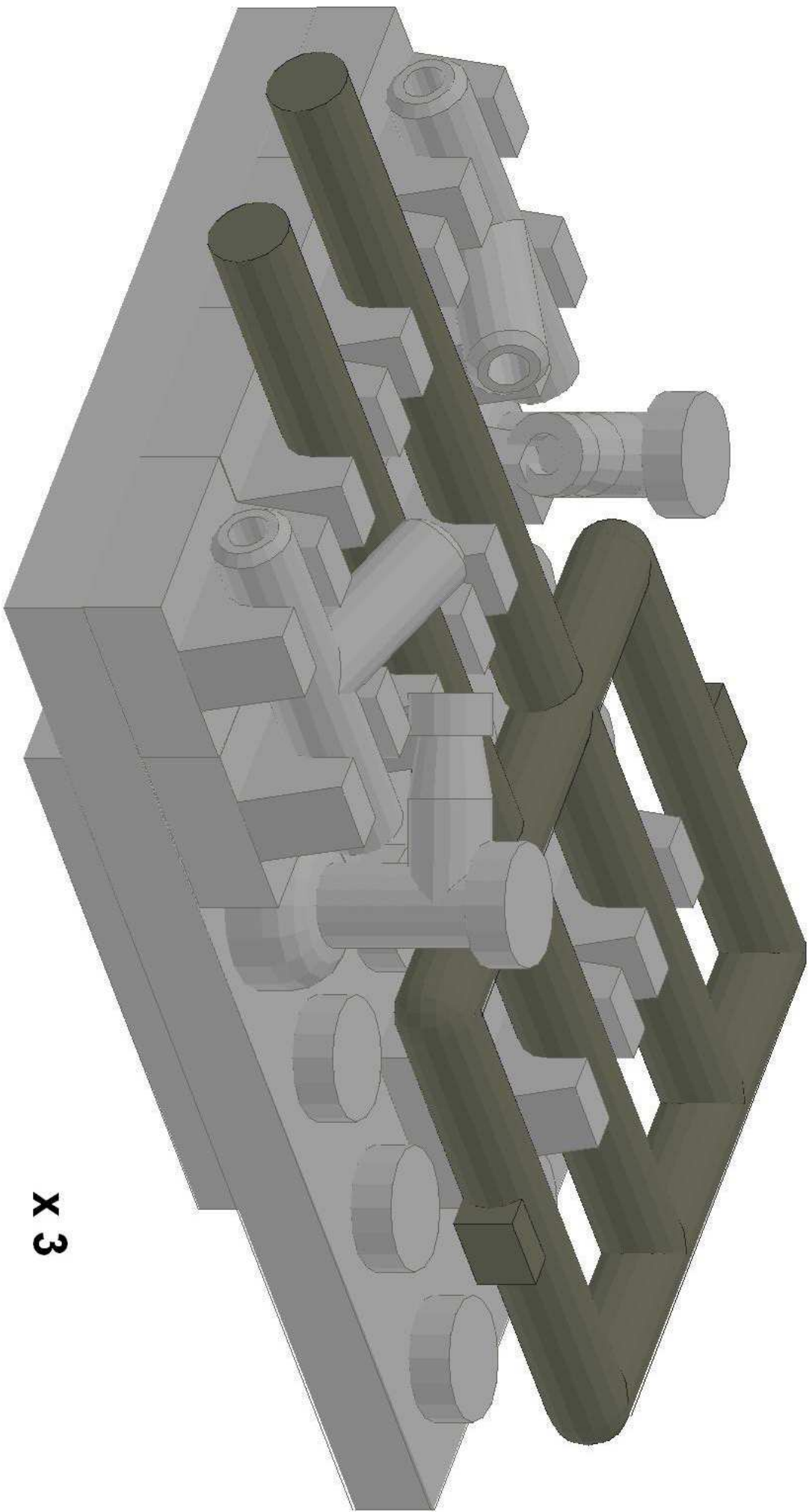












X 3

