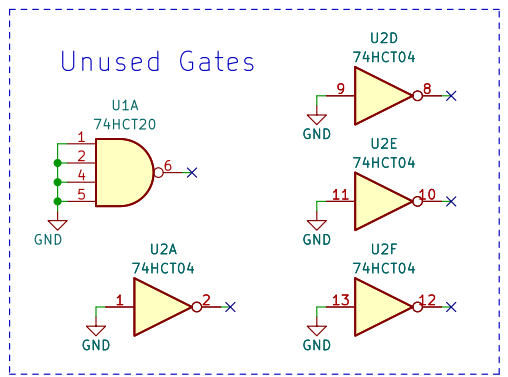
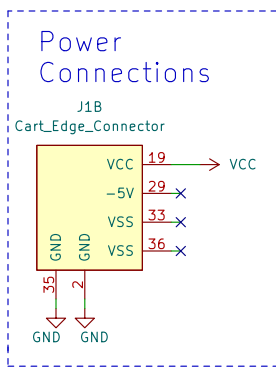
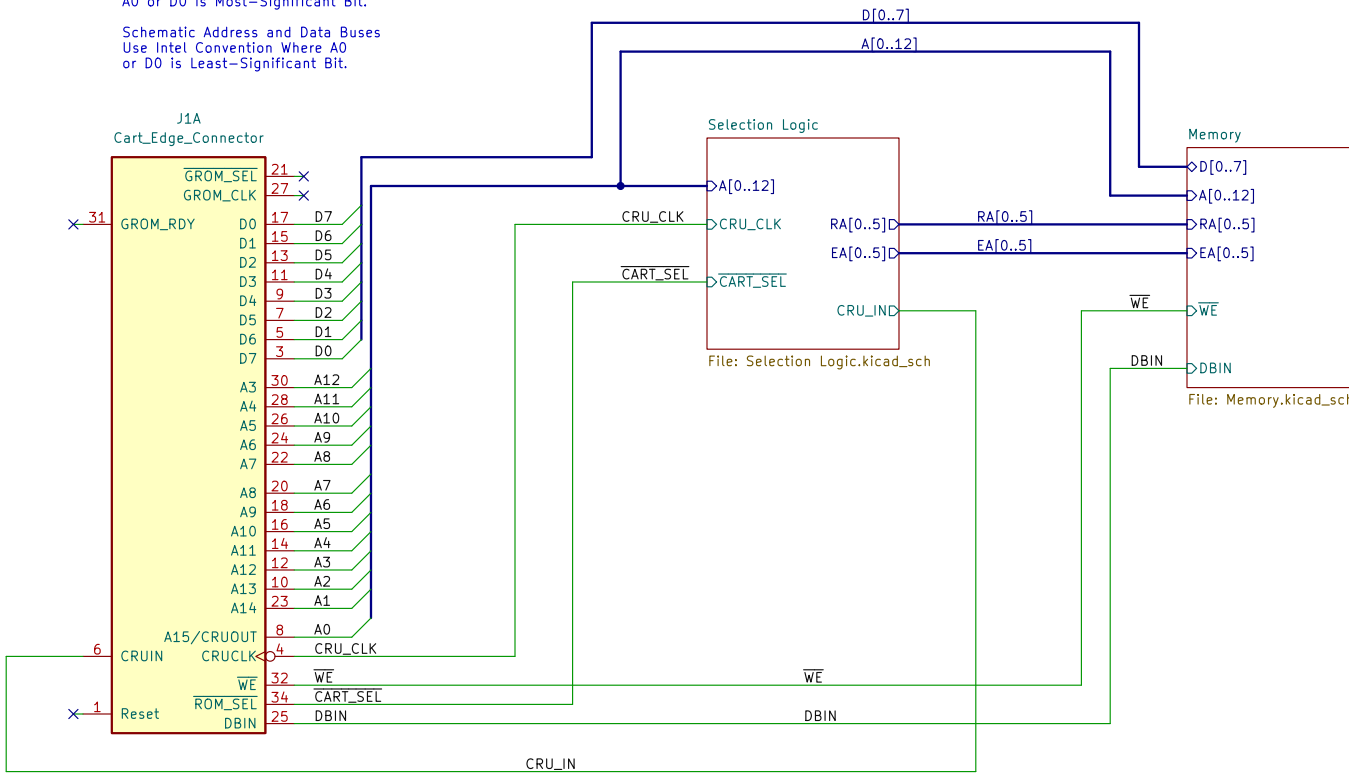


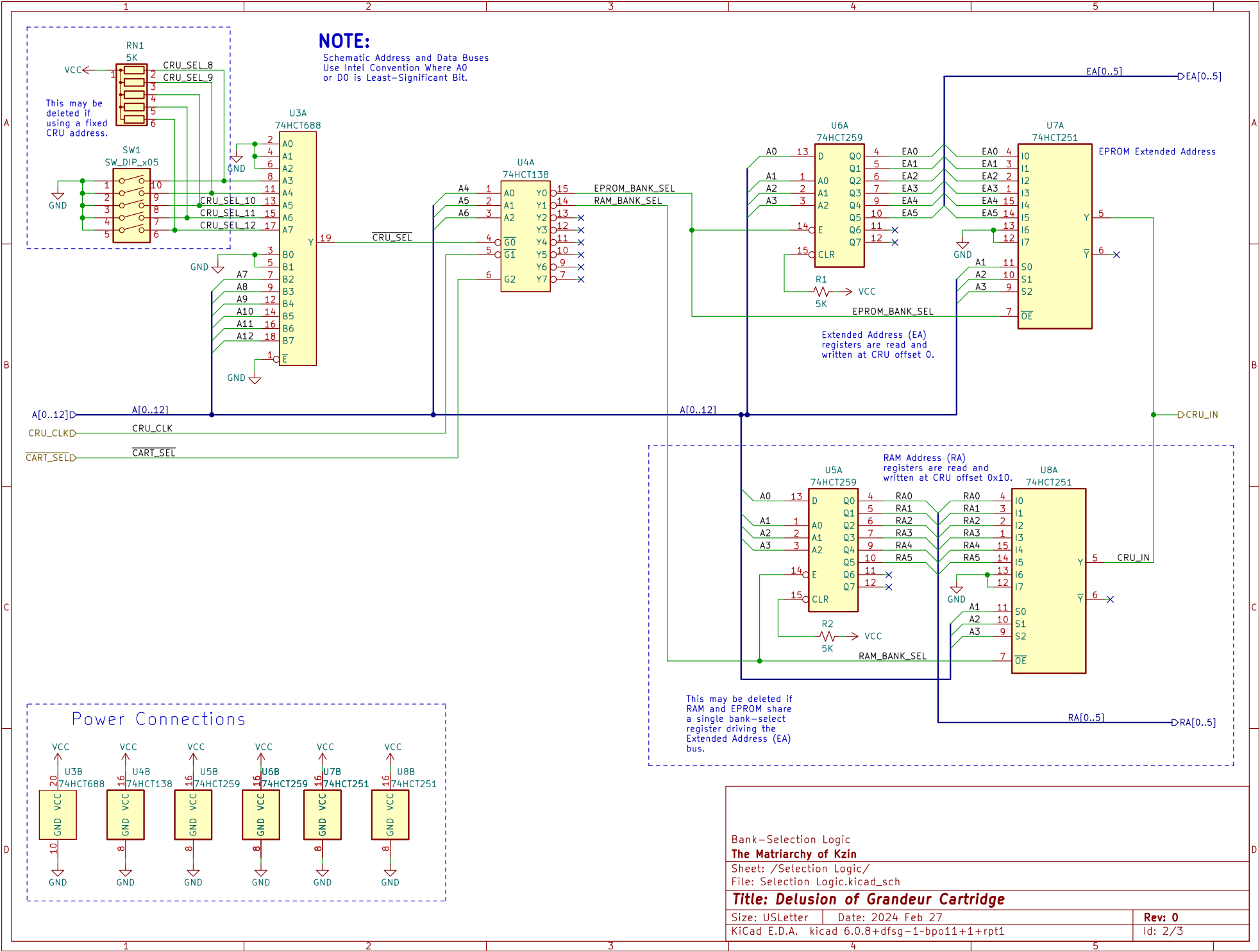
NOTE:

Connector Address and Data Pins Use Texas Instruments Convention Where A0 or D0 is Most-Significant Bit.

Schematic Address and Data Buses Use Intel Convention Where A0 or D0 is Least-Significant Bit.



Overview	
The Matriarchy of Kzin	
Sheet: /	
File: CRU Cartridge.kicad_sch	
Title: Delusion of Grandeur Cartridge	
Size: USLetter	Date: 2024 Feb 27
KiCad E.D.A. kicad 6.0.8+dfsg-1-bpo11+1+rpt1	Rev: 0
	Id: 1/3



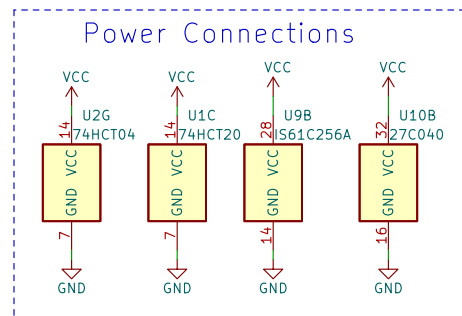
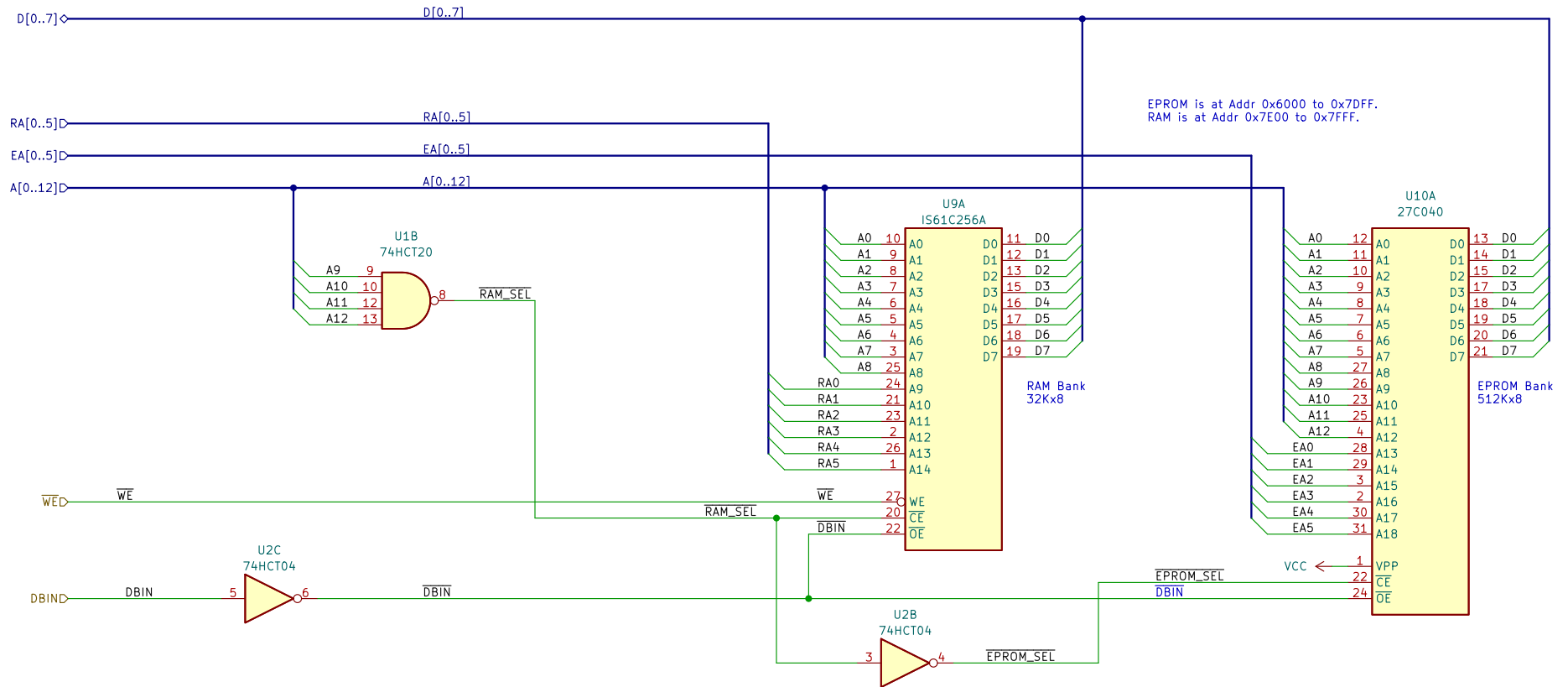
Bank-Selection Logic
The Matriarchy of Kzin
 Sheet: /Selection Logic/
 File: Selection Logic.kicad_sch

Title: Delusion of Grandeur Cartridge

Size: USLetter	Date: 2024 Feb 27	Rev: 0
KiCad E.D.A. kicad 6.0.8+dfsg-1-bpo11+1+rpt1		Id: 2/3

NOTE:

Schematic Address and Data Buses
Use Intel Convention Where A0
or D0 is Least-Significant Bit.



Memory

The Matriarchy of Kzin

Sheet: /Memory/

File: Memory.kicad_sch

Title: Delusion of Grandeur Cartridge

Size: USLetter Date: 2024 Feb 27

KiCad E.D.A. kicad 6.0.8+dfsg-1-bpo11+1+rpt1

Rev: 0

Id: 3/3